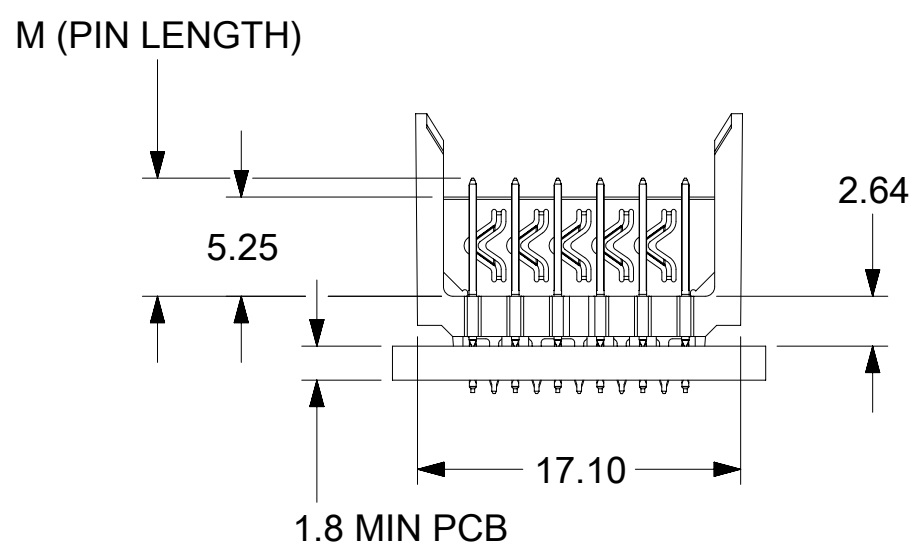
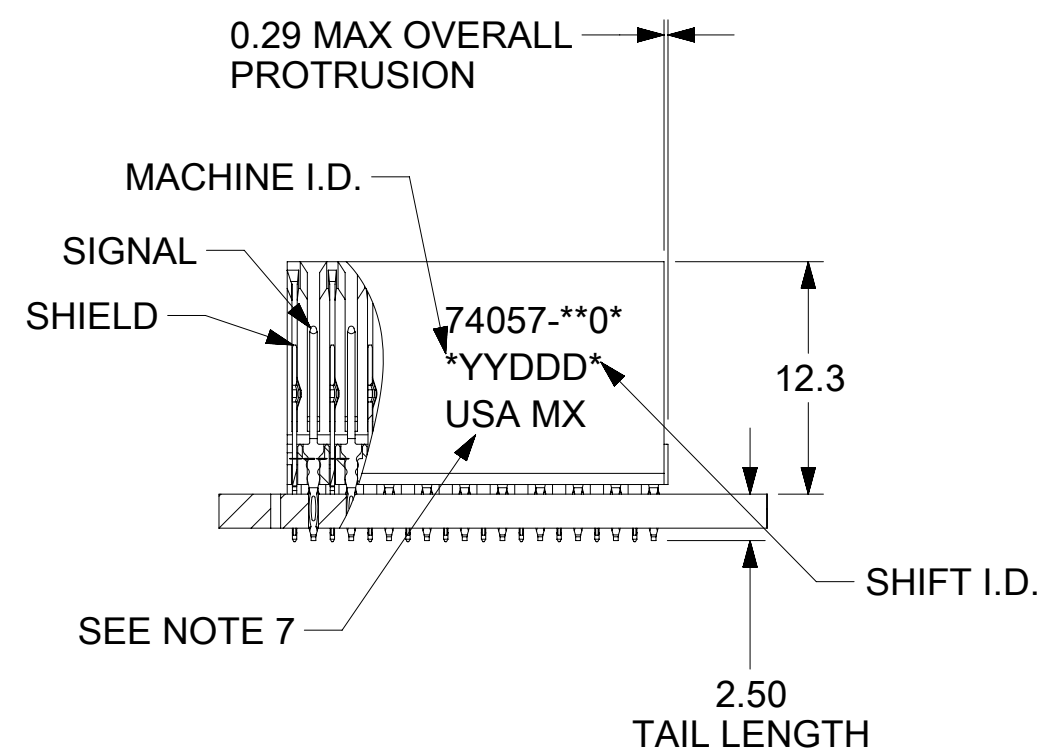
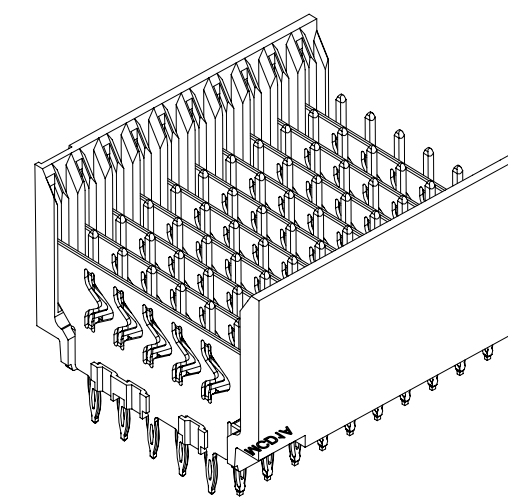


**BLACK PLANE HOLE PATTERN  
RECOMMENDED DIMENSIONS**



**NOTES:**

1. MATERIALS:  
HOUSING - LIQUID CRYSTAL POLYMER (LCP),  
GLASS-FILLED, UL 94V-0, COLOR: BLACK  
SIGNAL PIN & SHIELD - COPPER ALLOY
2. FINISHES:  
CONTACT AREA: SELECTIVE GOLD (Au)  
PCB TAILS: SELECTIVE MATTE TIN (Sn)  
NICKEL (Ni) OVERALL.
3. THIS PART CONFORMS TO MOLEX PRODUCT SPECIFICATION PS-74031-999
4. FOR MIXED CONTACT LENGTHS CONSULT MOLEX FOR AVAILABILITY
5. FOR SPECIFIC MATERIAL NUMBERS & MATING INFORMATION REFER TO SHEET 2
6. PACKAGE PER PK-74057-003
7. EITHER MARK PART WITH PART NUMBER & DATE CODE APPROXIMATELY WHERE SHOWN OR PLACE LABEL ON THE TUBE.
8. MAPS (MOLEX ADVANCED PLATING SYSTEM)

PENDING APPROVAL

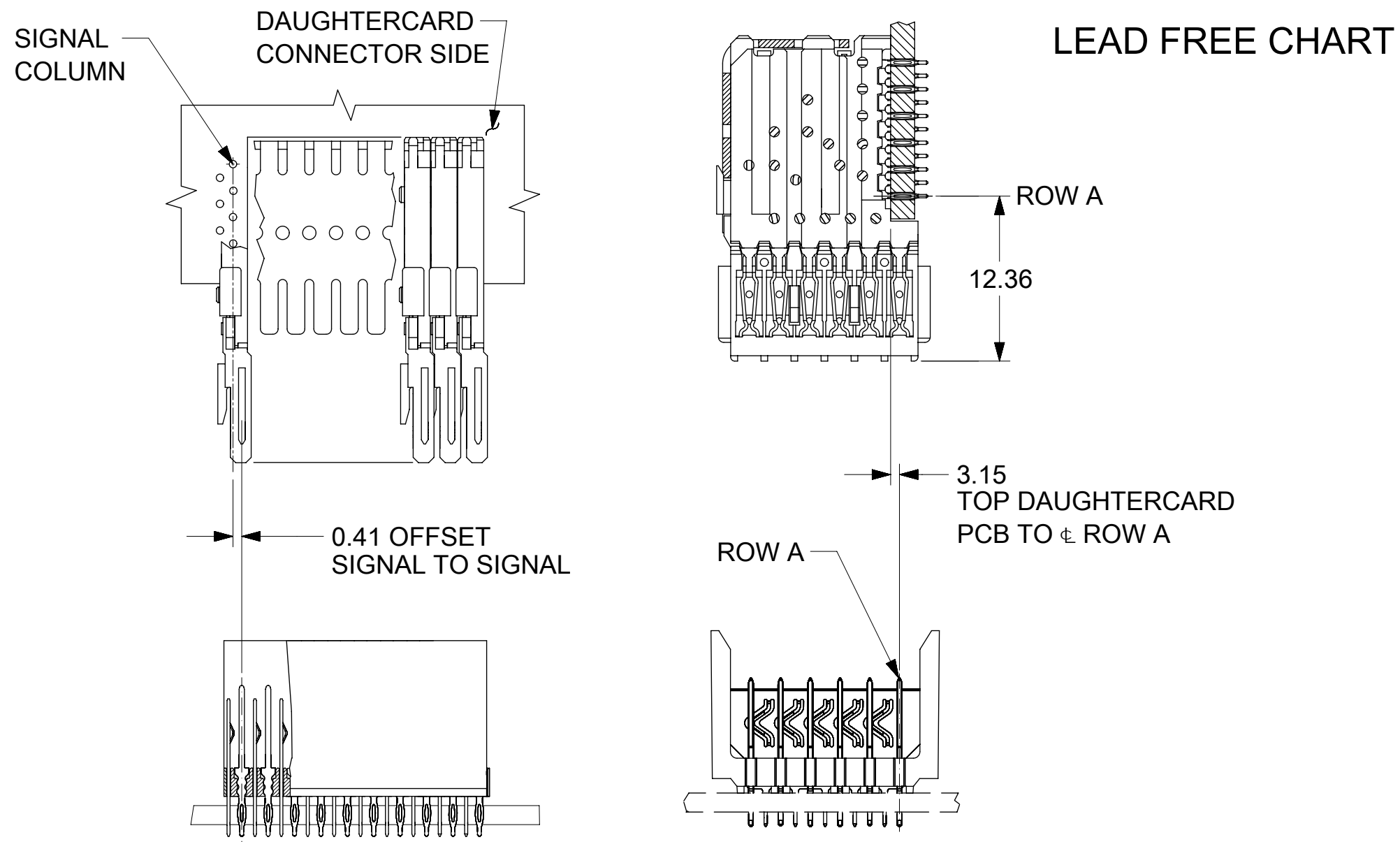
|   |       |   |      |         |        |                 |  |                |  |        |          |                 |          |          |          |          |              |  |     |     |    |
|---|-------|---|------|---------|--------|-----------------|--|----------------|--|--------|----------|-----------------|----------|----------|----------|----------|--------------|--|-----|-----|----|
| THIS DRAWING CONTAINS INFORMATION THAT IS PROPRIETARY TO MOLEX ELECTRONIC TECHNOLOGIES, LLC AND SHOULD NOT BE USED WITHOUT WRITTEN PERMISSION |       |   |      |         |        |                 |  |                |  |        |          |                 |          |          |          |          |              |  |     |     |    |
| DIMENSION UNITS   | SCALE | CURRENT REV DESC: SEE REVISION HISTORY ON SHEET 3   |      |         |        |                 |  |                |  |        |          |                 |          |          |          |          |              |  |     |     |    |
| mm  | 2.5:1 | <div style="font-size: 2em; font-weight: bold; margin-bottom: 10px;">molex</div> <p style="margin: 0;">VHDM 6 ROW<br/>OPEN END BACKPLANE SALES ASSEMBLY</p> <p style="margin: 0;">PRODUCT CUSTOMER DRAWING</p> <table border="1" style="width: 100%; border-collapse: collapse; font-size: x-small;"> <tr> <td colspan="2">DOCUMENT NUMBER</td> <td>DOC TYPE</td> <td>DOC PART</td> <td>REVISION</td> </tr> <tr> <td colspan="2" style="text-align: center; font-weight: bold;">SD-74057-002</td> <td style="text-align: center;">PSD</td> <td style="text-align: center;">001</td> <td style="text-align: center; font-weight: bold;">N4</td> </tr> </table> |      |         |        |                 |  |                |  |        |          | DOCUMENT NUMBER |          | DOC TYPE | DOC PART | REVISION | SD-74057-002 |  | PSD | 001 | N4 |
| DOCUMENT NUMBER   |       |   |      |         |        |                 |  |                |  |        |          | DOC TYPE        | DOC PART | REVISION |          |          |              |  |     |     |    |
| SD-74057-002  |       |   |      |         |        |                 |  |                |  |        |          | PSD             | 001      | N4       |          |          |              |  |     |     |    |
| GENERAL TOLERANCES (UNLESS SPECIFIED)   |       |   |      |         |        |                 |  |                |  |        |          |                 |          |          |          |          |              |  |     |     |    |
| 4 PLACES  | ±     |   |      |         |        |                 |  |                |  |        |          | MM              | INCH     |          |          |          |              |  |     |     |    |
| 3 PLACES  | ±     | MM  | INCH |         |        |                 |  |                |  |        |          |                 |          |          |          |          |              |  |     |     |    |
| 2 PLACES  | ±     | 0.25  | ±    |         |        |                 |  |                |  |        |          |                 |          |          |          |          |              |  |     |     |    |
| 1 PLACE   | ±     | 0.38  | ±    |         |        |                 |  |                |  |        |          |                 |          |          |          |          |              |  |     |     |    |
| 0 PLACES  | ±     | ±   | ±    |         |        |                 |  |                |  |        |          |                 |          |          |          |          |              |  |     |     |    |
| ANGULAR TOL   | ±     | 0.5 °   |      |         |        |                 |  |                |  |        |          |                 |          |          |          |          |              |  |     |     |    |
| DRAFT WHERE APPLICABLE MUST REMAIN WITHIN DIMENSIONS  |       | THIRD ANGLE PROJECTION  |      | DRAWING | SERIES | MATERIAL NUMBER |  |                |  |        | CUSTOMER | SHEET NUMBER    |          |          |          |          |              |  |     |     |    |
|   |       |   |      | C-SIZE  | 74057  | SEE TABLE       |  | GENERAL MARKET |  | 1 OF 3 |          |                 |          |          |          |          |              |  |     |     |    |

|                 |    |              |   |   |   |   |   |   |   |   |
|-----------------|----|--------------|---|---|---|---|---|---|---|---|
| DOCUMENT STATUS | RQ | RELEASE DATE |   |   |   |   |   |   |   |   |
| 12              | 11 | 10           | 9 | 8 | 7 | 6 | 5 | 4 | 3 | 2 |

| PART NUMBER | COLUMN | NUMBER OF SIGNAL PIN | NUMBER OF SHIELD | A     | B     | M         | GOLD THICKNESS MICROMETER | TIN THICKNESS MICROMETER |       |       |      |
|-------------|--------|----------------------|------------------|-------|-------|-----------|---------------------------|--------------------------|-------|-------|------|
| 74057-6001  | 10     | 60                   | 10               | 20.00 | 18.00 | 4.75      | 0.25 MAPS                 | 0.76-1.52                |       |       |      |
| 74057-9001  |        |                      |                  |       |       |           | 0.76                      |                          |       |       |      |
| 74057-9006  |        |                      |                  |       |       |           | 1.27                      |                          |       |       |      |
| 74057-6501  | 15     | 90                   | 15               | 30.00 | 28.00 | 0.25 MAPS |                           |                          |       |       |      |
| 74057-9501  |        |                      |                  |       |       | 0.76      |                           |                          |       |       |      |
| 74057-9506  |        |                      |                  |       |       | 1.27      |                           |                          |       |       |      |
| 74057-7001  | 25     | 150                  | 25               | 50.00 | 48.00 | 0.25 MAPS |                           |                          |       |       |      |
| 74057-8506  |        |                      |                  |       |       | 1.27      |                           |                          |       |       |      |
| 74057-6002  |        |                      |                  |       |       | 0.25 MAPS |                           |                          |       |       |      |
| 74057-9002  | 10     | 60                   | 10               | 20.00 | 18.00 | 0.76      |                           |                          |       |       |      |
| 74057-9007  |        |                      |                  |       |       | 1.27      |                           |                          |       |       |      |
| 74057-6502  |        |                      |                  |       |       | 0.25 MAPS |                           |                          |       |       |      |
| 74057-9502  | 15     | 90                   | 15               | 30.00 | 28.00 | 0.76      |                           |                          |       |       |      |
| 74057-9507  |        |                      |                  |       |       | 1.27      |                           |                          |       |       |      |
| 74057-7002  |        |                      |                  |       |       | 0.25 MAPS |                           |                          |       |       |      |
| 74057-8502  | 25     | 150                  | 25               | 50.00 | 48.00 | 0.76      |                           |                          |       |       |      |
| 74057-8507  |        |                      |                  |       |       | 1.27      |                           |                          |       |       |      |
| 74057-6003  |        |                      |                  |       |       | 0.25 MAPS |                           |                          |       |       |      |
| 74057-9003  | 10     | 60                   | 10               | 50.00 | 48.00 | 0.76      |                           |                          |       |       |      |
| 74057-9008  |        |                      |                  |       |       | 1.27      |                           |                          |       |       |      |
| 74057-6503  |        |                      |                  |       |       | 0.25 MAPS |                           |                          |       |       |      |
| 74057-9503  | 15     | 90                   | 15               | 30.00 | 28.00 | 0.76      |                           |                          |       |       |      |
| 74057-9508  |        |                      |                  |       |       | 1.27      |                           |                          |       |       |      |
| 74057-7003  |        |                      |                  |       |       | 0.25 MAPS |                           |                          |       |       |      |
| 74057-8508  | 25     | 150                  | 25               | 50.00 | 48.00 | 1.27      |                           |                          |       |       |      |
| 74057-9009  |        |                      |                  |       |       | 10        | 60                        | 10                       | 20.00 | 18.00 | 1.27 |
| 74057-6504  |        |                      |                  |       |       | 0.25 MAPS |                           |                          |       |       |      |
| 74057-9504  | 15     | 90                   | 15               | 30.00 | 28.00 | 0.76      |                           |                          |       |       |      |
| 74057-9509  |        |                      |                  |       |       | 1.27      |                           |                          |       |       |      |
| 74057-8504  |        |                      |                  |       |       | 0.76      |                           |                          |       |       |      |
| 74057-8509  | 25     | 150                  | 25               | 50.00 | 48.00 | 1.27      |                           |                          |       |       |      |

| PART NUMBER | COLUMN | NUMBER OF SIGNAL PIN | NUMBER OF SHIELD | A     | B     | M    | GOLD THICKNESS MICROMETER | TIN THICKNESS MICROMETER |
|-------------|--------|----------------------|------------------|-------|-------|------|---------------------------|--------------------------|
| 74057-1006  | 10     | 60                   | 10               | 20.00 | 18.00 | 4.75 | 1.27                      | 0.76-1.52                |
| 74057-1501  | 15     | 90                   | 15               | 30.00 | 28.00 |      | 0.76                      |                          |
| 74057-1506  |        |                      |                  |       |       |      | 1.27                      |                          |
| 74057-2506  | 25     | 150                  | 25               | 50.00 | 48.00 | 1.27 |                           |                          |
| 74057-1002  | 10     | 60                   | 10               | 20.00 | 18.00 | 6.25 | 0.76                      |                          |
| 74057-1502  | 15     | 90                   | 15               | 30.00 | 28.00 |      | 0.76                      |                          |
| 74057-1507  |        |                      |                  |       |       | 1.27 |                           |                          |
| 74057-1008  | 10     | 60                   | 10               | 20.00 | 18.00 | 4.25 | 1.27                      |                          |
| 74057-1503  | 15     | 90                   | 15               | 30.00 | 28.00 |      | 0.76                      |                          |
| 74057-1508  |        |                      |                  |       |       |      | 1.27                      |                          |
| 74057-2508  | 25     | 150                  | 25               | 50.00 | 48.00 | 1.27 |                           |                          |
| 74057-1004  | 10     | 60                   | 10               | 20.00 | 18.00 | 5.15 | 0.76                      |                          |
| 74057-1009  |        |                      |                  |       |       |      | 1.27                      |                          |
| 74057-1504  | 15     | 90                   | 15               | 30.00 | 28.00 |      | 0.76                      |                          |
| 74057-1509  |        |                      |                  |       |       | 1.27 |                           |                          |

LEAD FREE  
(FORMERLY TIN/LEAD) CHART



74057 - \* \* 0 \*

- NUMBER OF COLUMNS/PLATING
- 10 = 10 COLUMN MATTE TIN (FORMERLY TIN/LEAD)
  - 15 = 15 COLUMN MATTE TIN (FORMERLY TIN/LEAD)
  - 25 = 25 COLUMN MATTE TIN (FORMERLY TIN/LEAD)
  - 60 = 10 COLUMN MATTE TIN (MAPS)
  - 65 = 15 COLUMN MATTE TIN (MAPS)
  - 70 = 25 COLUMN MATTE TIN (MAPS)
  - 90 = 10 COLUMN MATTE TIN
  - 95 = 15 COLUMN MATTE TIN
  - 85 = 25 COLUMN MATTE TIN
- PIN HEIGHT
- 1 & 6 = 4.75
  - 2 & 7 = 6.25
  - 3 & 8 = 4.25
  - 4 & 9 = 5.15

PENDING APPROVAL

|  |   |                        |      |   |
|--|---|------------------------|------|---|
| FUNCTIONAL SYMBOLS                                   | THIS DRAWING CONTAINS INFORMATION THAT IS PROPRIETARY TO MOLEX ELECTRONIC TECHNOLOGIES, LLC AND SHOULD NOT BE USED WITHOUT WRITTEN PERMISSION |                        |      |   |
|  | DIMENSION UNITS   | SCALE                  |      | CURRENT REV DESC: SEE REVISION HISTORY ON SHEET 3 |
| $F_A = 0$  | mm  | 2.5:1                  |      | EC NO: 719836<br>DRWN: KRISHH1<br>CHK'D:<br>APPR: |
| $F_C = 0$  | GENERAL TOLERANCES (UNLESS SPECIFIED)   |                        |      |   |
| $F_P = 0$  |   | MM                     | INCH | 2022/07/14  |
| DIVISIONAL SYMBOLS                                   | 4 PLACES  | ±                      | ±    | INITIAL REVISION:<br>DRWN: MWANG<br>APPR: SMILLER |
|  | 3 PLACES  | ±                      | ±    |   |
|  | 2 PLACES  | ± 0.25                 | ±    |   |
|  | 1 PLACE   | ± 0.38                 | ±    |   |
|  | 0 PLACES  | ±                      | ±    | 1998/11/09<br>2012/05/23                          |
|  | ANGULAR TOL   | ± 0.5°                 |      |   |
| DRAFT WHERE APPLICABLE MUST REMAIN WITHIN DIMENSIONS |   | THIRD ANGLE PROJECTION |      | DRAWING SERIES                                    |
|  |   | C-SIZE                 |      | 74057   |
| DOCUMENT STATUS                                      |   | RELEASE DATE           |      | SD-74057-002                                      |
| RQ   |   |                        |      | PSD 001 N4  |
| DOCUMENT NUMBER                                      |   | DOC TYPE               |      | DOC PART  |
| SEE TABLE  |   | GENERAL MARKET         |      | 2 OF 3  |

H  
G  
F  
E  
D  
C  
B  
A

| DATE       | REV | DESCRIPTION  |
|------------|-----|--|
| 2022/06/22 | N3  | DRAWING MIGRATED TO NEW SHEET FORMAT<br>REMOVED OBSOLETE PART NUMBER AS PER PCN#509989 |
| 2022/07/14 | N4  | DRAWING MIGRATION AS MODEL IN THE DRAWING VIEW IS UPDATED                              |
|            |     |  |
|            |     |  |

PENDING APPROVAL

|                    |   |                 |                                       |   |      |                        |       |                   |            |   |              |                          |
|--------------------|---|-----------------|---------------------------------------|---|------|------------------------|-------|-------------------|------------|---|--------------|--------------------------|
| FUNCTIONAL SYMBOLS | THIS DRAWING CONTAINS INFORMATION THAT IS PROPRIETARY TO MOLEX ELECTRONIC TECHNOLOGIES, LLC AND SHOULD NOT BE USED WITHOUT WRITTEN PERMISSION |                 |                                       |   |      |                        |       |                   |            |   |              |                          |
|                    | FA = 0  | DIMENSION UNITS | SCALE                                 | CURRENT REV DESC: SEE REVISION HISTORY ON SHEET 3 |      |                        |       |                   |            |   | <b>molex</b> |                          |
| FC = 0             | mm  | 1:1             | GENERAL TOLERANCES (UNLESS SPECIFIED) |   |      | EC NO: 719836          |       |                   |            | VHDM 6 ROW<br>OPEN END BACKPLANE SALES ASSEMBLY |              |                          |
| FP = 0             |   |                 |                                       | MM  | INCH | 2022/07/14             |       | DRWN: KRISHH1     |            |   |              | PRODUCT CUSTOMER DRAWING |
| DIVISIONAL SYMBOLS | 4 PLACES  | ±               | ±                                     |   |      | APPR:                  |       | INITIAL REVISION: |            | DOCUMENT NUMBER                                 |              |                          |
|                    | 3 PLACES  | ±               | ±                                     |   |      | APPR:                  |       | DRWN: DRAWN BY    |            | DOC TYPE  |              |                          |
|                    | 2 PLACES  | ±               | 0.25                                  | ±   |      |                        | APPR: |                   | SERIES     |   | DOC PART     |                          |
|                    | 1 PLACE   | ±               | 0.38                                  | ±   |      |                        | APPR: |                   | 0099/99/99 |   | REVISION     |                          |
|                    | 0 PLACES  | ±               | ±                                     |   |      | APPR:                  |       | 0099/99/99        |            | SD-74057-002                                    |              |                          |
|                    | ANGULAR TOL   | ±               | 0.5 °                                 |   |      | THIRD ANGLE PROJECTION |       | DRAWING           |            | MATERIAL NUMBER                                 |              |                          |
|                    | DRAFT WHERE APPLICABLE MUST REMAIN WITHIN DIMENSIONS  |                 |                                       |   |      | C-SIZE                 |       | 74057             |            | CUSTOMER  |              |                          |
|                    |   |                 |                                       |   |      | SEE TABLE              |       | GENERAL MARKET    |            | SHEET NUMBER                                    |              |                          |
|                    |   |                 |                                       |   |      | 3 OF 3                 |       |                   |            |   |              |                          |

| DOCUMENT STATUS | RQ | RELEASE DATE |  |
|-----------------|----|--------------|--|
| 12              | 11 | 10           |  |