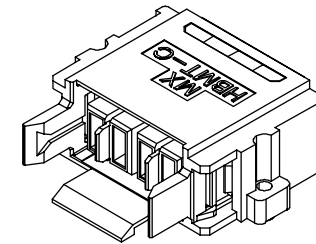
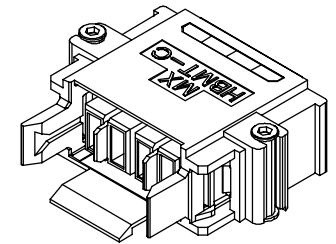


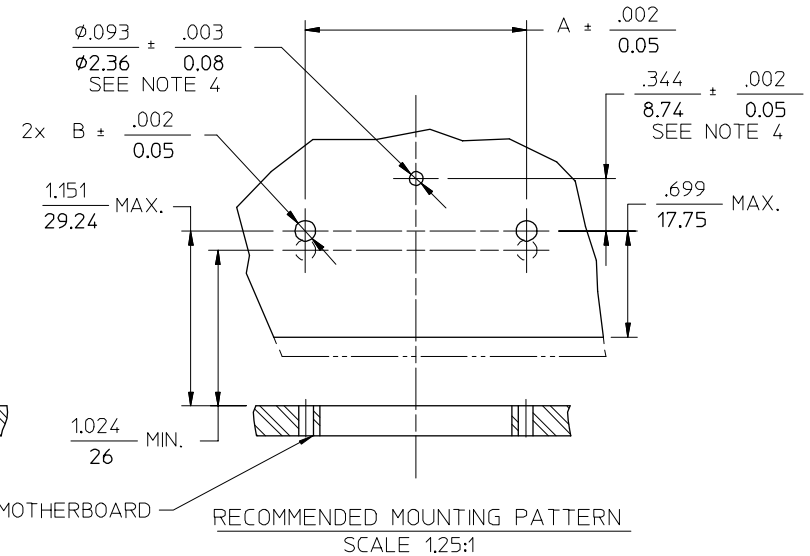
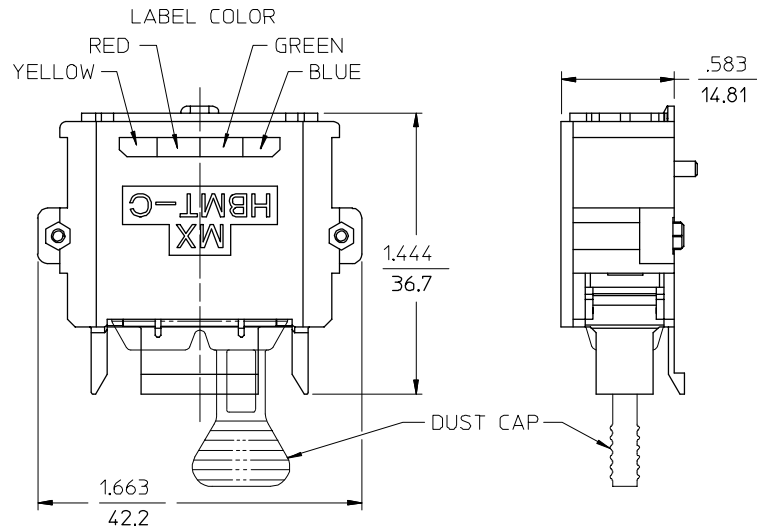
CONNECTOR P/N	MOUNTING	FLOAT	PLATING	A	B	C	MATES WITH MOTHERBOARD ADAPTER P/N
86105-0100	RIVET	NO	NO	1,457 (37)	.135 (3.43)	.275 (6.98)	86105-0000, 86105-1000
86105-1100	SCREW	NO	NO	1,457 (37)	.135 (3.43)	.275 (6.98)	86105-0000, 86105-1000
86105-2100	SCREW	YES	NO	1,497 (38)	.090 (2.29)	.295 (7.49)	86105-0000, 86105-1000, 86105-2000
86105-2300	SCREW	YES	YES	1,497 (38)	.090 (2.29)	.295 (7.49)	86105-2200



ISOMETRIC VIEW
RIVET MOUNTING



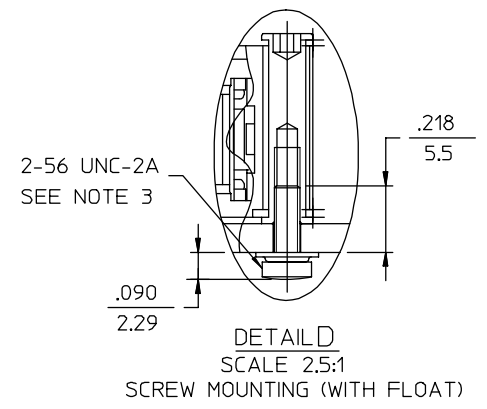
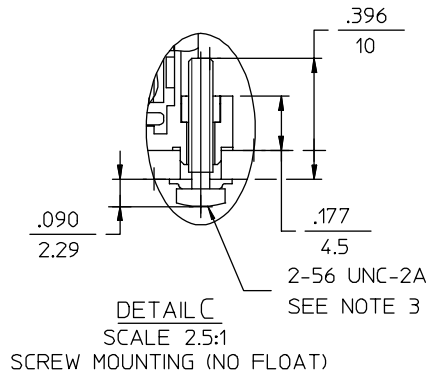
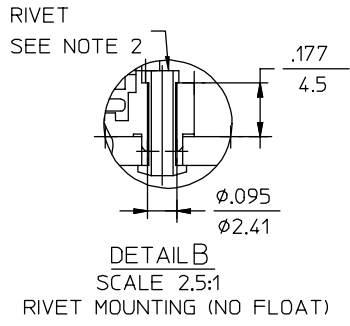
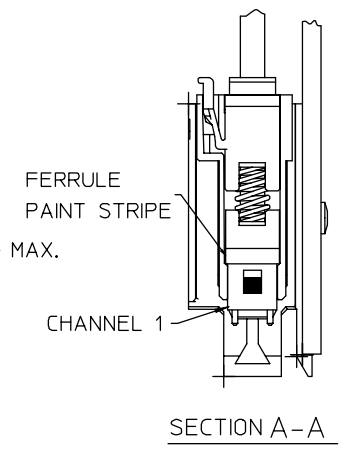
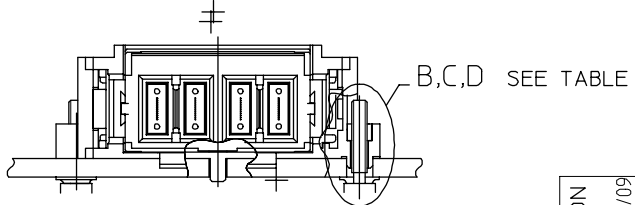
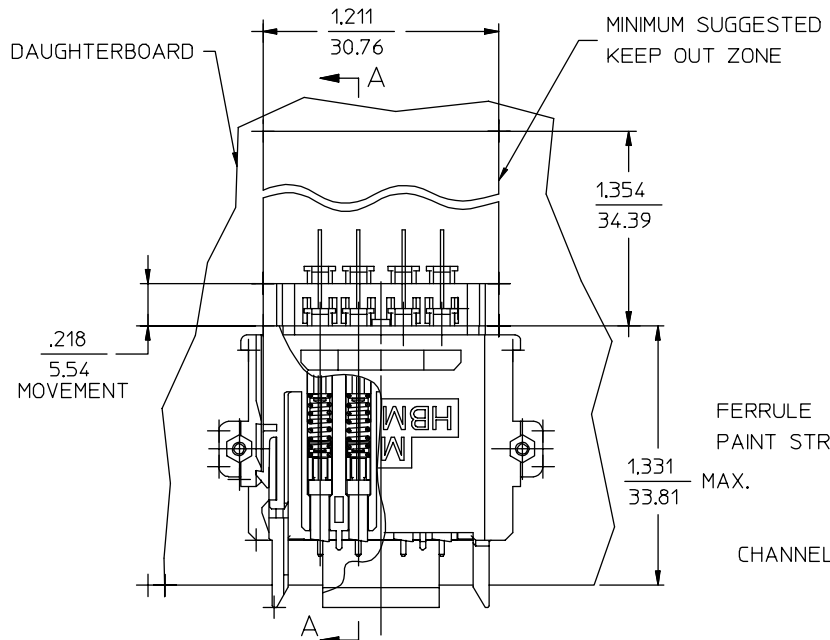
ISOMETRIC VIEW
SCREW MOUNTING WITH FLOAT



NOTES:

- ALL DIMENSIONS ARE GIVEN IN $\frac{\text{INCHES}}{\text{mm}}$ OR INCHES (mm).
- RIVETS NOT INCLUDED WITH CONNECTOR.
- SCREWS ARE INCLUDED WITH CONNECTOR AND ARE INSTALLED BY USER. RECOMMENDED TORQUE: 2.5 TO 4 IN.LBS (0.28 TO 0.45 N.m) DEPENDING ON SUBSTRATE MATERIAL AND SCREW TYPE. USER IS ENCOURAGED TO DETERMINE THE PROPER TORQUE TO USE BY TRIAL (SEE MACHINERY'S HANDBOOK FOR PROCEDURE).
- CENTER LOCATOR HOLE AND PEG NOT USED ON P/Ns 86105-2100, 86105-2300.

ENTER DESCRIPTION EC NO: MF2003-0509 DRWN: WCHEN 2003/01/09 CHKD: 2003/01/10 APPR: SERNST 2003/01/10 REV:	QUALITY SYMBOLS	GENERAL TOLERANCES (UNLESS SPECIFIED)	SCALE 4:1	DESIGN UNITS INCH	THIRD ANGLE PROJECTION	REVISE ON CAD ONLY	
	▼ -0 ▽ -0	mm	INCH	DIMENSION STYLE IN/MM		TITLE	
		4 PLACES	± ---	± ---	DRAWN BY	DATE	HBMT DAUGHTER CARD CONNECTOR
		3 PLACES	± ---	± ---	CHECKED BY	DATE	
2 PLACES	± ---	± ---	APPROVED BY	DATE	MATERIAL NO. SEE TABLE DOCUMENT NO. 86105-YY00CD SHEET NO. 1 OF 2		
	1 PLACE	± ---	± ---	MOLEX INCORPORATED THIS DRAWING CONTAINS INFORMATION THAT IS PROPRIETARY TO MOLEX INCORPORATED AND SHOULD NOT BE USED WITHOUT WRITTEN PERMISSION.			
	ANGULAR ±1/2°						
	DRAFT WHERE APPLICABLE MUST REMAIN WITHIN DIMENSIONS						



ENTER DESCRIPTION EC NO: MF2003-0509 DRWN: WCHEN 2003/01/09 CHKD: 2003/01/10 APPR: SERNST 2003/01/10	QUALITY SYMBOLS ▽ - 0 ▽ - 0	GENERAL TOLERANCES (UNLESS SPECIFIED)		SCALE 4:1	DESIGN UNITS INCH	THIRD ANGLE PROJECTION	REVISE ON CAD ONLY	
			mm	INCH	DIMENSION STYLE IN/MM		TITLE HBM DAUGHTER CARD CONNECTOR	
		4 PLACES	± ---	± ---	DRAWN BY	DATE	MATERIAL NO. SEE TABLE	
		3 PLACES	± ---	± ---	CHECKED BY	DATE	DOCUMENT NO. 86105-YY00CD	
2 PLACES	± ---	± ---	ANGULAR ±1/2°		APPROVED BY	DATE	SHEET NO. 2 OF 2	
1 PLACE	± ---	± ---	DRAFT WHERE APPLICABLE		THIS DRAWING CONTAINS INFORMATION THAT IS PROPRIETARY TO MOLEX INCORPORATED AND SHOULD NOT BE USED WITHOUT WRITTEN PERMISSION			
		MUST REMAIN WITHIN DIMENSIONS					B	