
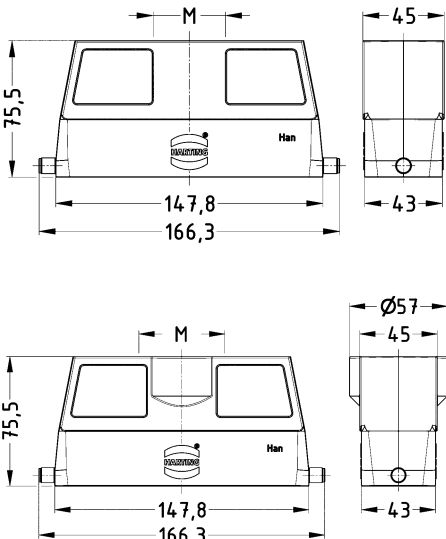
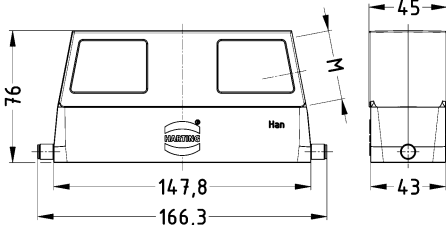

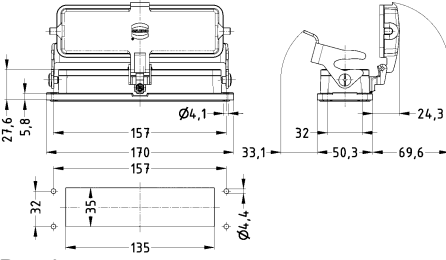


Standard hoods/housings for industrial connectors
Single locking lever

Housings

Identification	Cable entry	Part number	Drawing (dimensions in mm)
<p>Han® B, Hood, Top entry, IP65</p> 	<p>1x M40 1x M50</p>	<p>19 30 132 0441 19 30 132 0449</p>	
<p>Han® B, Hood, Side entry, IP65</p>	<p>1x M40</p>	<p>19 30 132 0541</p>	
<p>Han® B, Bulkhead mounted housing, With thermo-plastic cover, IP65</p> 		<p>09 30 132 0304 ML</p>	 <p>Panel cut out</p>