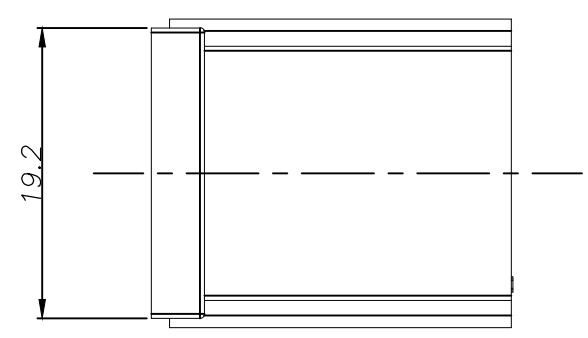
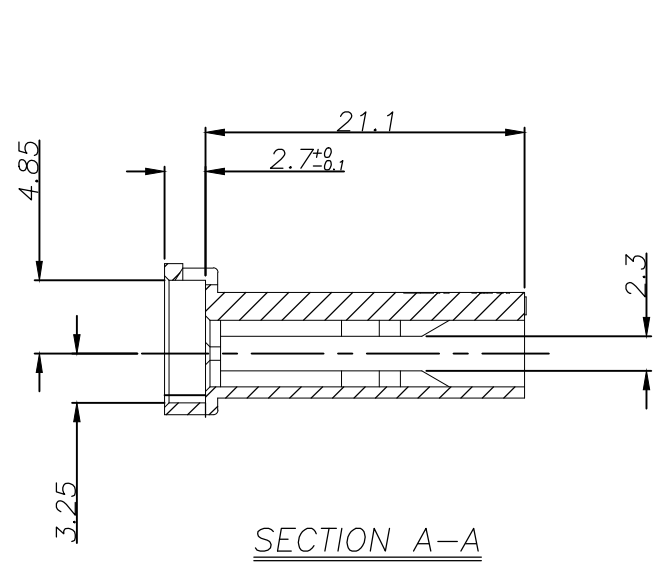
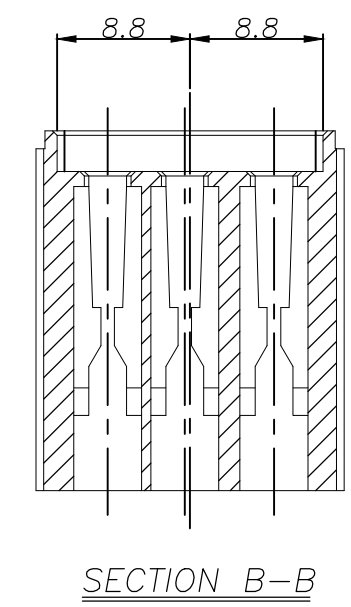
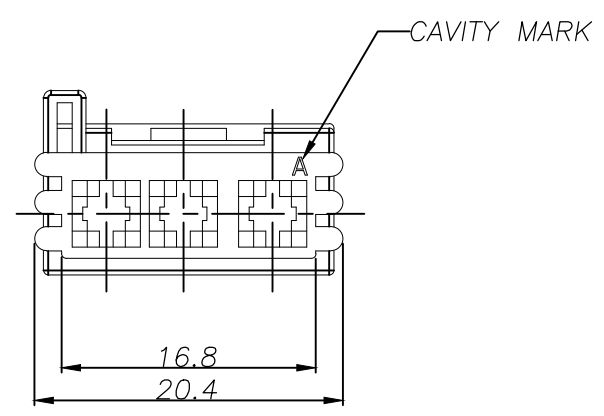
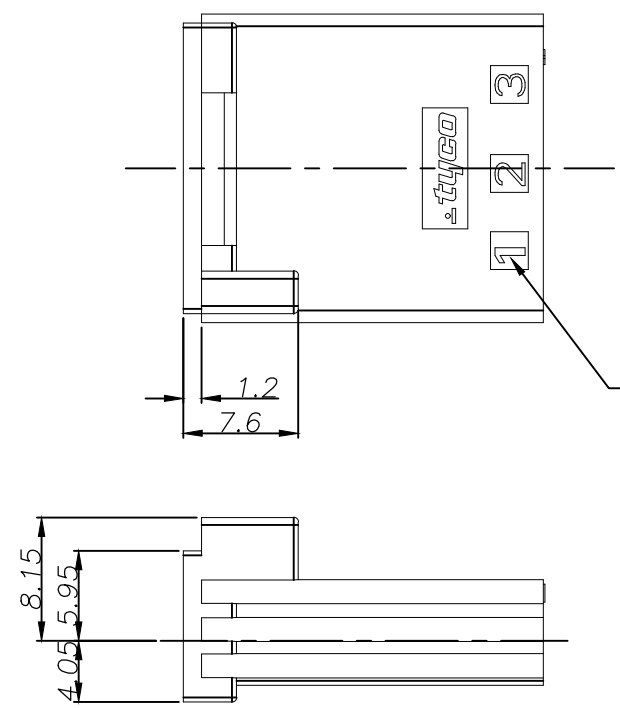
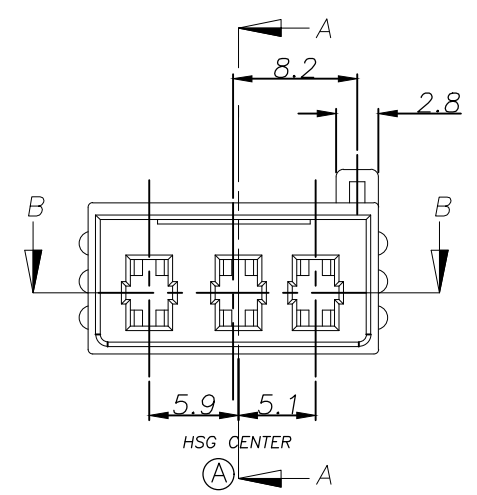
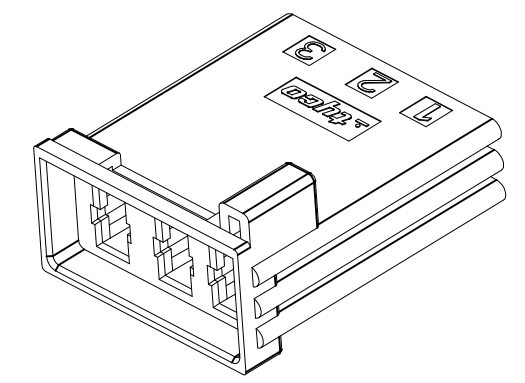


THIS DRAWING IS UNPUBLISHED. RELEASED FOR PUBLICATION
 © COPYRIGHT - TE Connectivity Ltd. ALL RIGHTS RESERVED.

REVISIONS					
P	LTR	DESCRIPTION	DATE	DWN	APVD
	A3	REVISED PER ECR-19-007802	13MAY2019	SC	BH



NOTES
 1. GENERAL TOLERANCES : ±0.25, ±1°
 2. APPLICABLE CONTACT P/N : 1217039-1

2-1743217-1	PA66, UL94 V-0, GWIT 775, GWT 750	NATURAL
1-1743217-1	PA66, UL94 V-0	NATURAL
1743217-1	PA66, UL94 V-2	NATURAL
PART NO.	MATERIAL	COLOR

THIS DRAWING IS A CONTROLLED DOCUMENT.		DWN BH CHO	TE Connectivity Ltd.		
DIMENSIONS: mm		CHK BW KANG			
TOLERANCES UNLESS OTHERWISE SPECIFIED:		APVD JK SONG	PRODUCT SPEC		
0 PLC ± - 1 PLC ± - 2 PLC ± - 3 PLC ± - 4 PLC ± - ANGLES ± -		APPLICATION SPEC	GAS VALVE 3P CONNECTOR		
MATERIAL SEE TABLE		FINISH -	WEIGHT -	SIZE A3	CAGE CODE 00779
CUSTOMER DRAWING			DRAWING NO C-1743217	RESTRICTED TO -	
			SCALE 2:1	SHEET 1 OF 1	REV A3