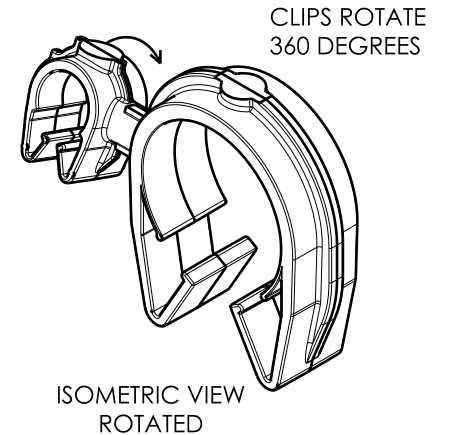
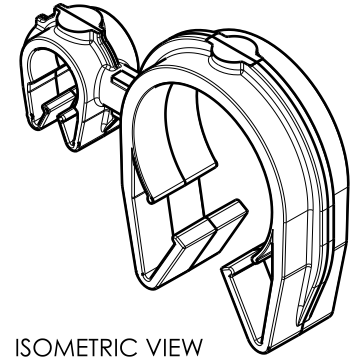
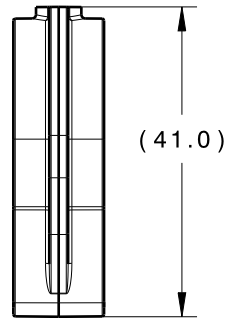
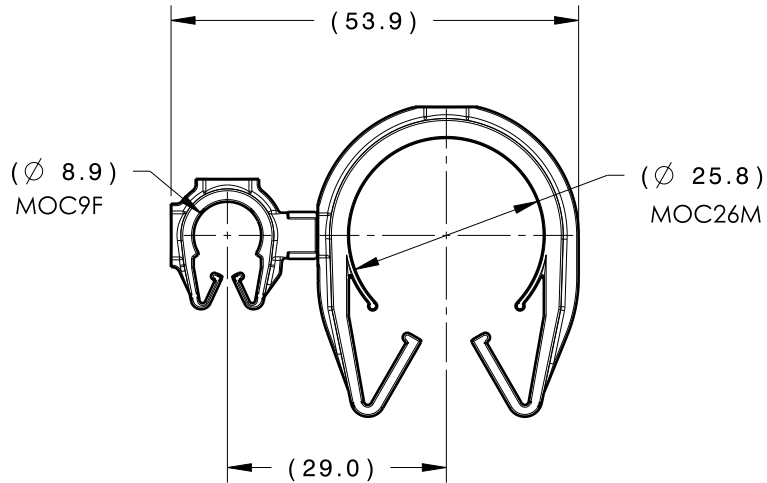
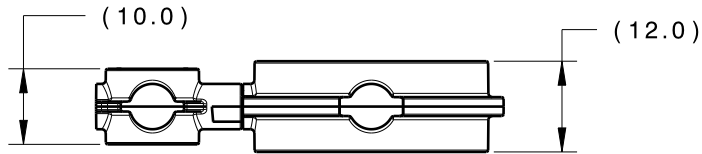



Revision Level			Revision Record	Changed	Date	Approved	Date
Drawing	State	Part					
01.2	DESIGN RELEASE		SEE ECN# 014408	FDS	04/23/18	EJH	04/23/18



TYPE	MOC9F	MOC26M
HARNESS	8.5MM-10.0MM	23.0MM-28.5MM
HOSE	8.0MM-10.0MM	23.0MM-28.5MM
HARD PIPE/TUBE	9.0MM-10.0MM	25.9MM-29.0MM

*RECOMMENDED SIZES MAY DIFFER DEPENDING ON THE APPLICATION, PRODUCT REQUIREMENTS AND MATERIALS USED

GLOBAL PART DESCRIPTION 	MOC9F			MOC26M		
	DRAWING	MATERIAL	COLOR	DRAWING	MATERIAL	COLOR
MOC9FMOC26M-PA66HIRHS-BK	16-0317-000-CSU	PA66HIRHS	BLACK	16-0325-000-CSU	PA66HIRHS	BLACK

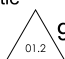

Material
SEE CHART
COLOR: SEE CHART

Units **millimeters**

Tolerance defined on each dimension

The copyright of this drawing is reserved by HellermannTyton. It is issued on condition that it is not reproduced, copied or disclosed to a third party, either wholly or in part, without the consent of HellermannTyton.

Drawn TAT 2/22/17
Approved EJH 2/28/17
HellermannTyton
North America
Email: corp@htamericas.com
Web: www.hellermann.tyton.com

Article/Type-No MOC9FMOC26M
Title  9MM MOC COUPLED TO A 26MM MOC
Drawing-No PRODUCTION : Phase
16-0326-288-CSU 

Scale 1:1
Project Number 16-0326
Format AH
Sheet 1/1