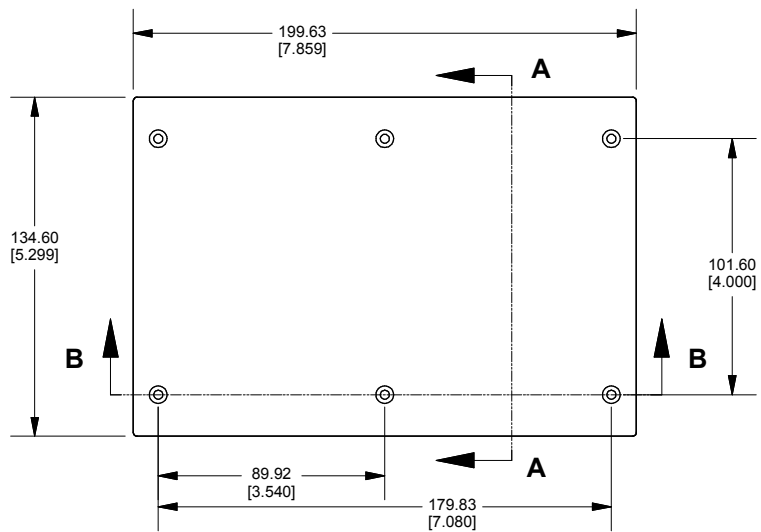
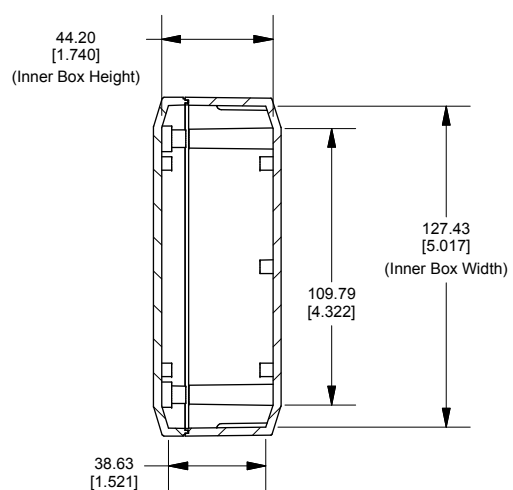


2

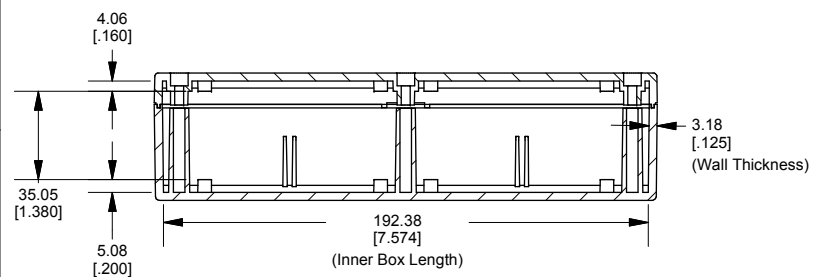
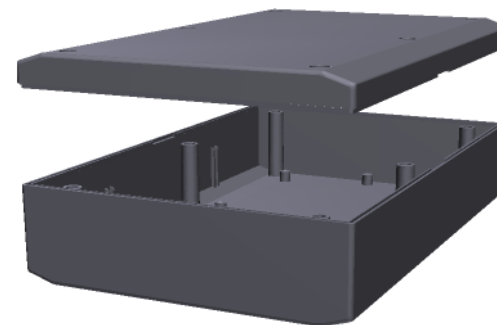
1



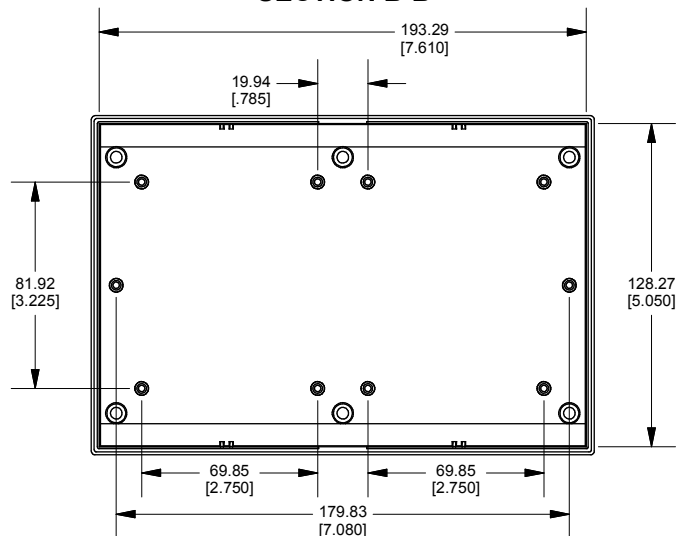
**ASSEMBLY TOP VIEW**



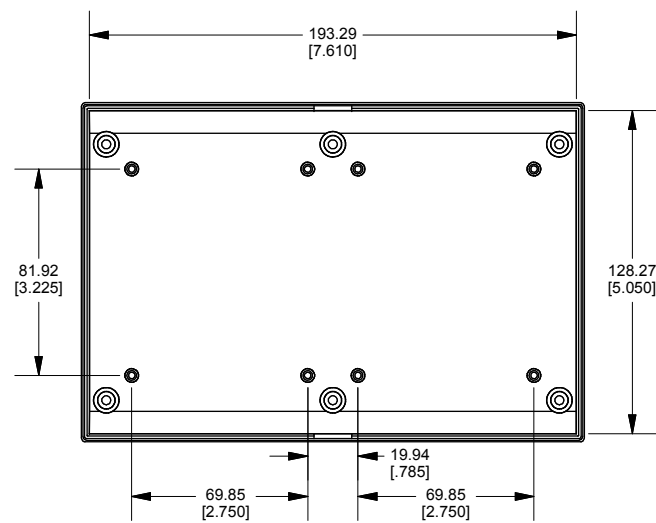
**SECTION A-A**



**SECTION B-B**



**BOX INSIDE VIEW**



**LID INSIDE VIEW**

Enclosures can be Factory Modified ( Milling, Drilling, Printing etc. )  
 Contact Factory [mjm@hammondmfg.com](mailto:mjm@hammondmfg.com) for quotes  
 Solid models of this enclosure available in STEP or IGES.

NOTES	
Purchased assembly includes Box & Lid and Cover Screws	
1597Y	
PART NUMBERS	
GREY ABS	1597Y



2

1