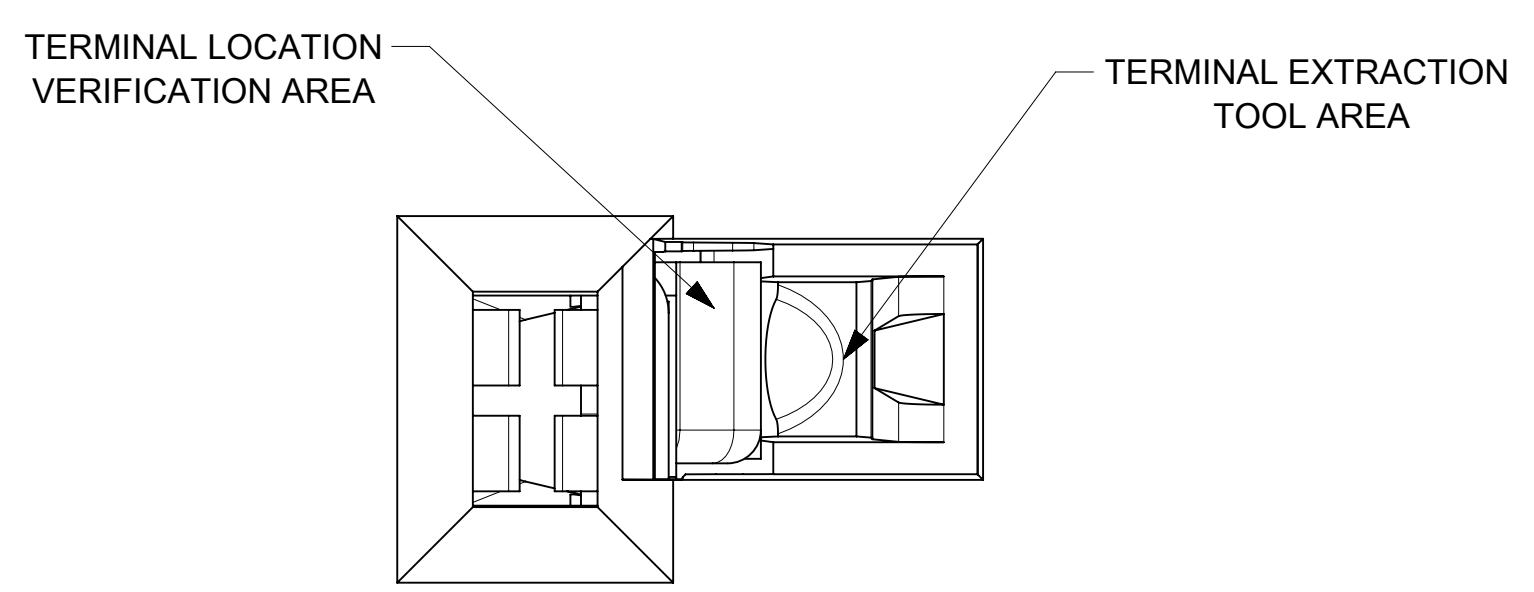
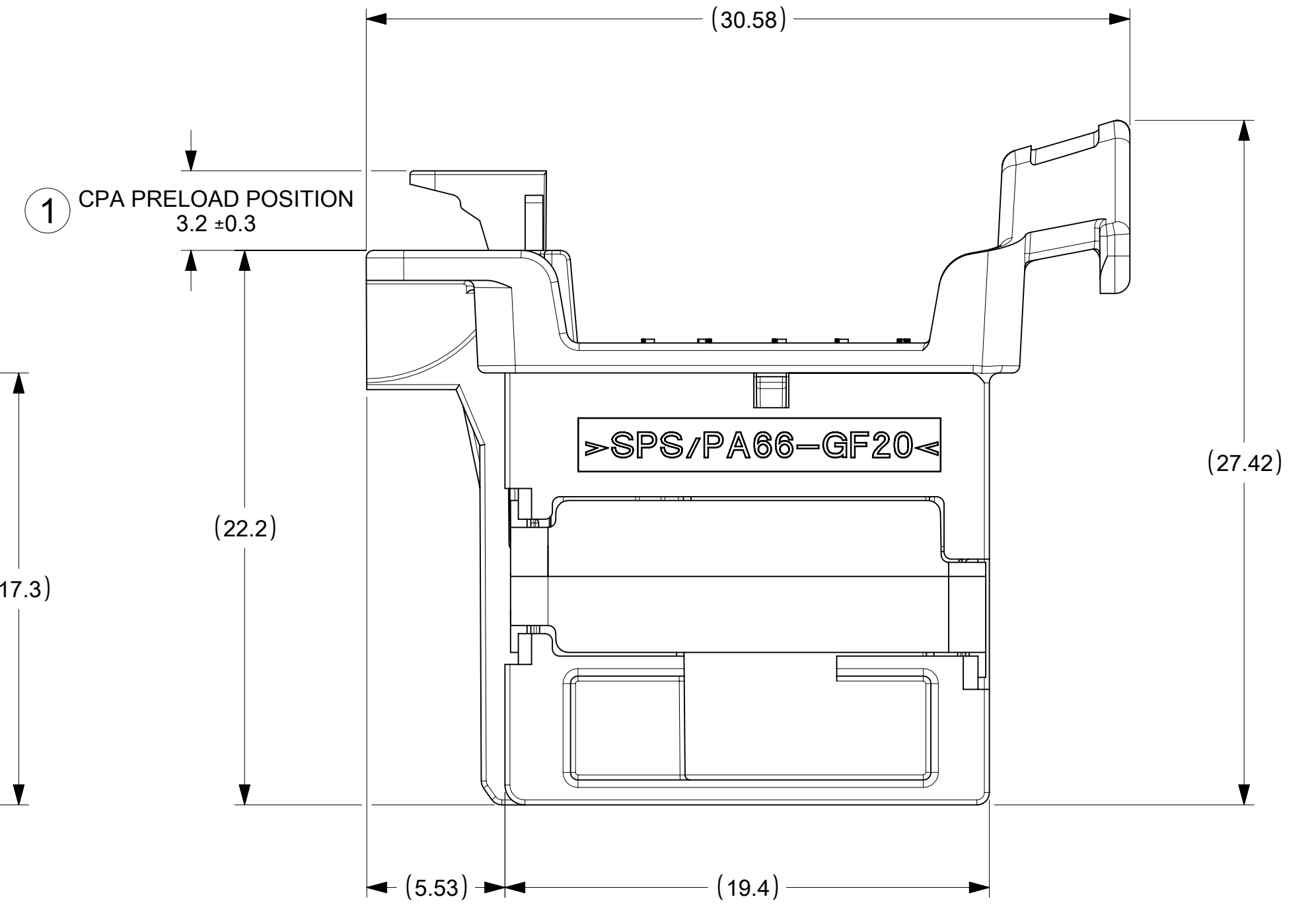
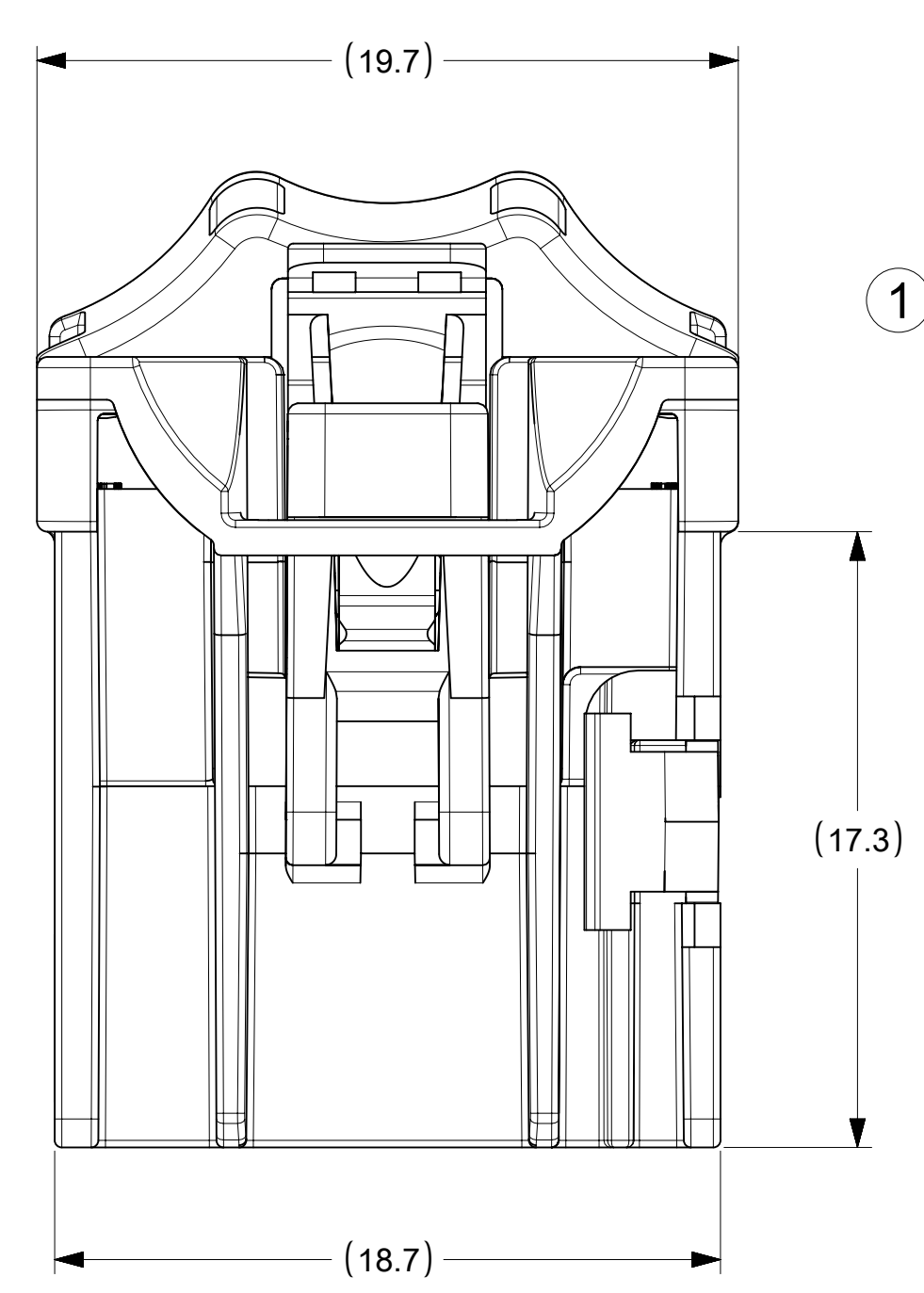
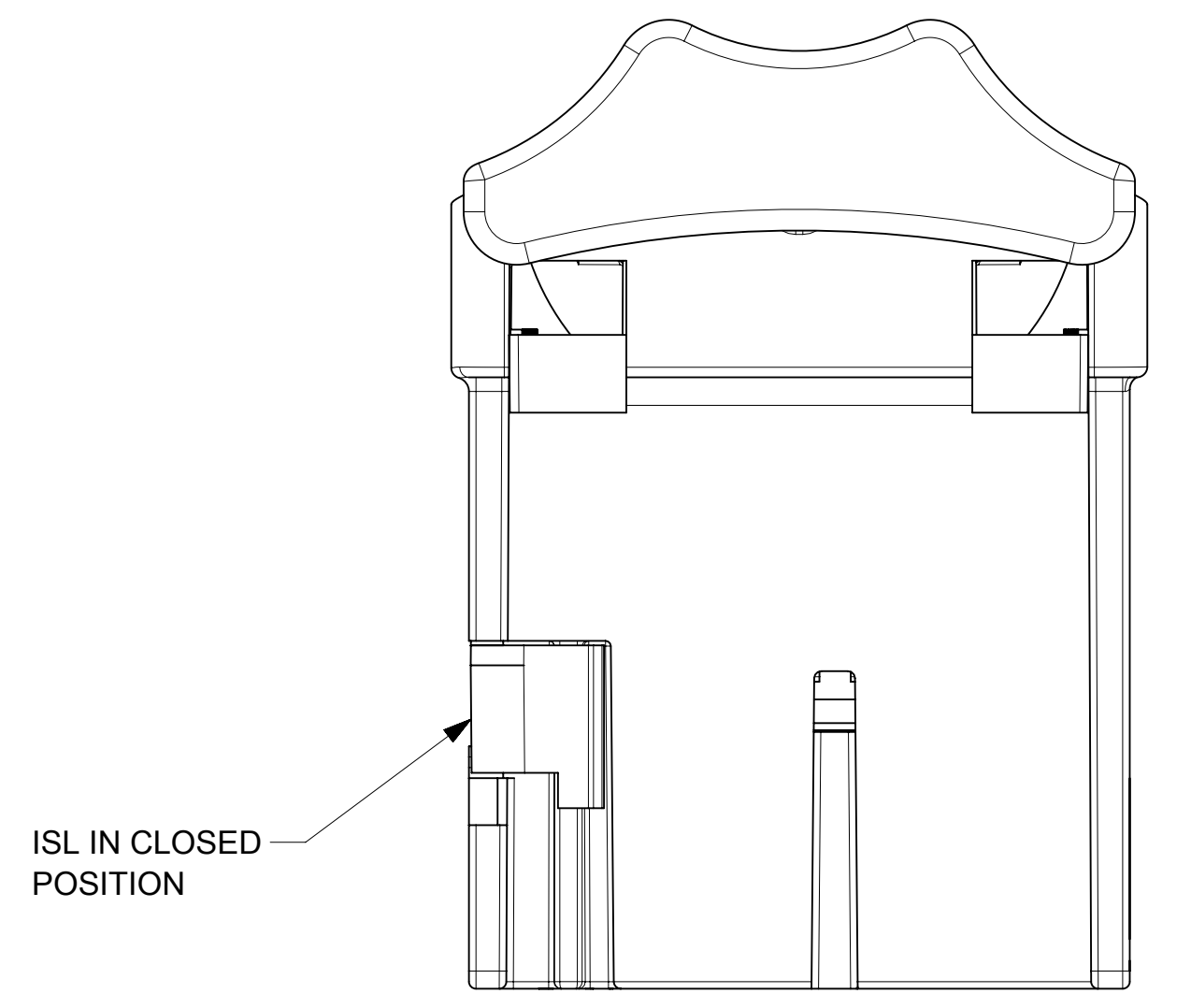
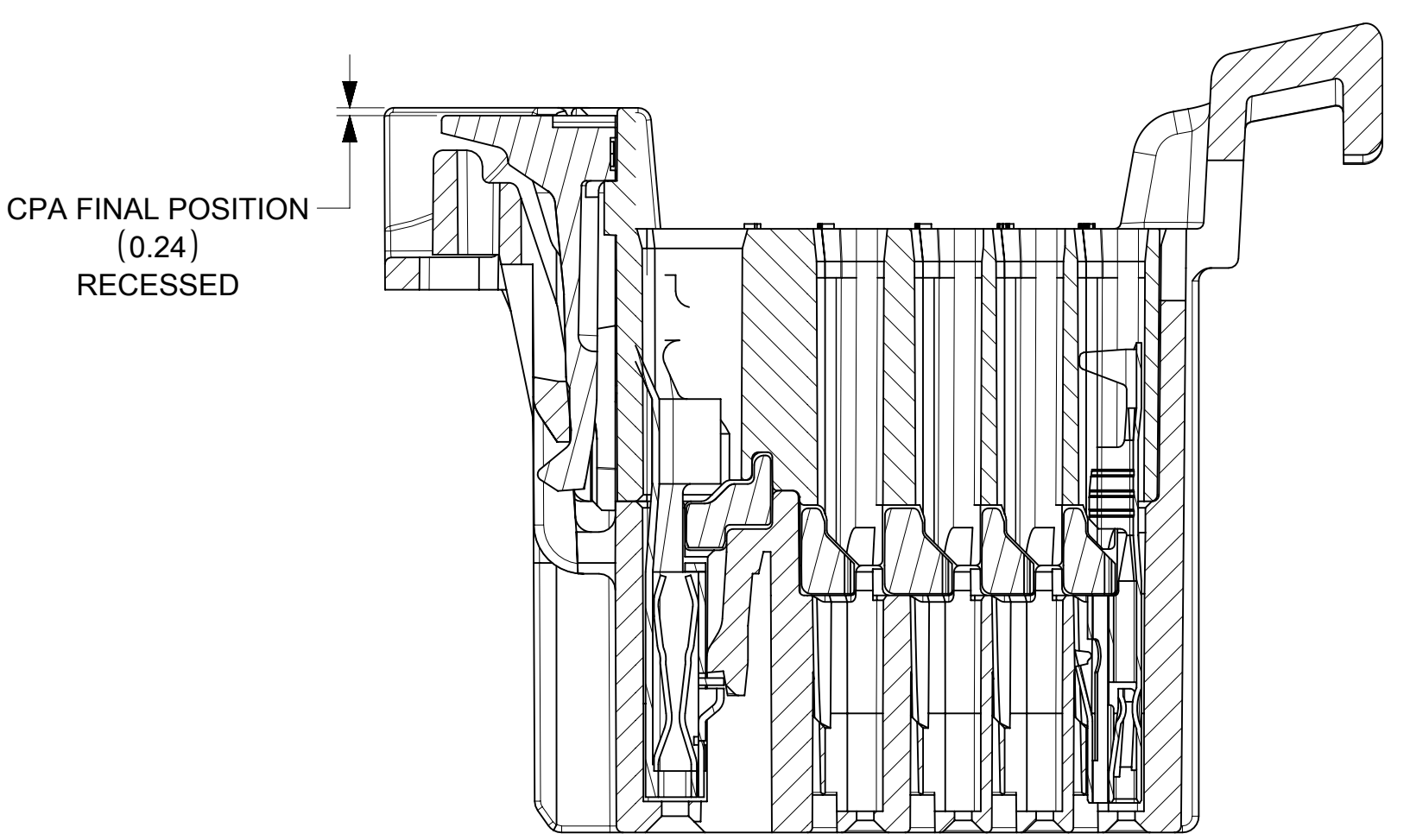
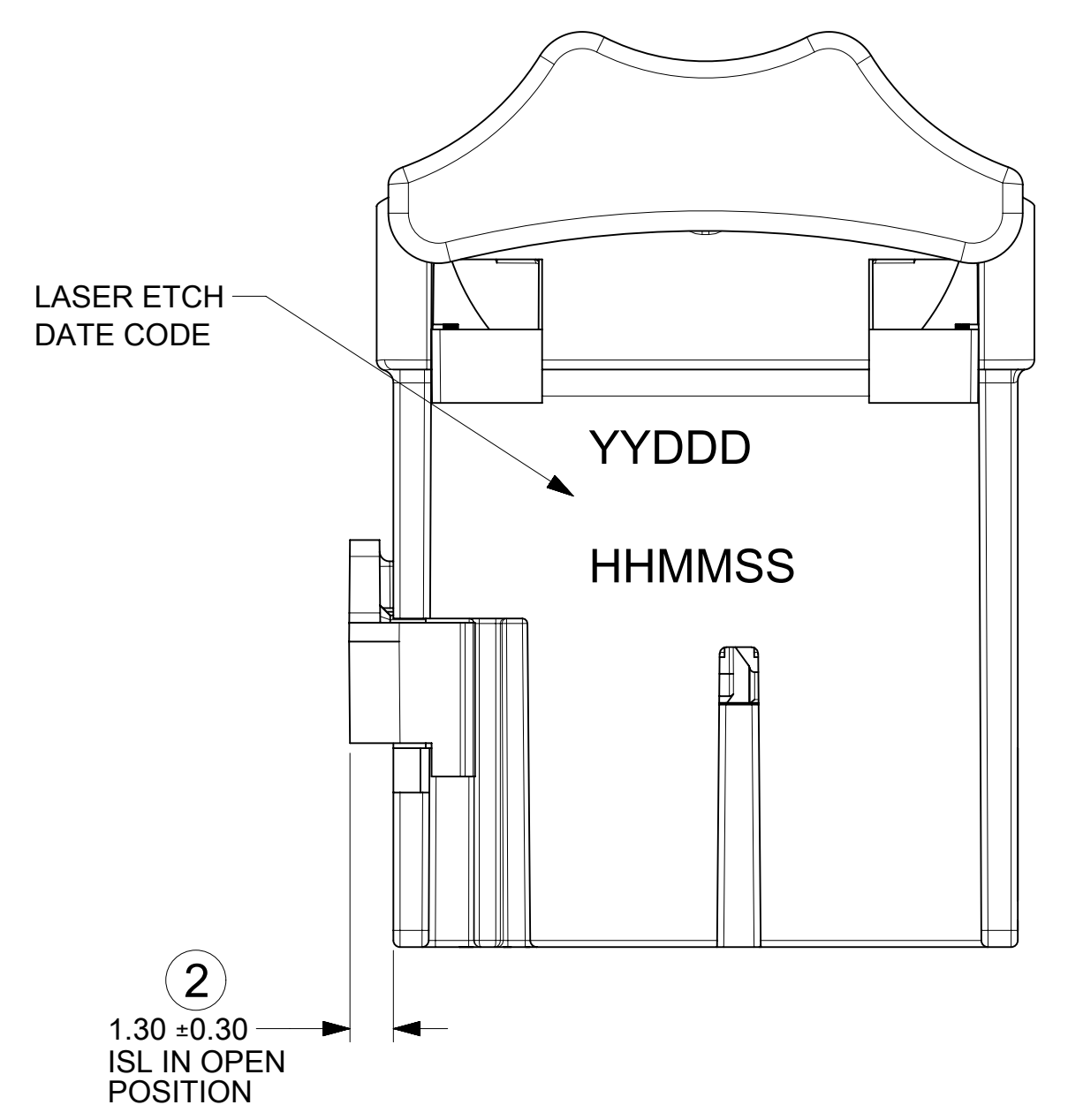
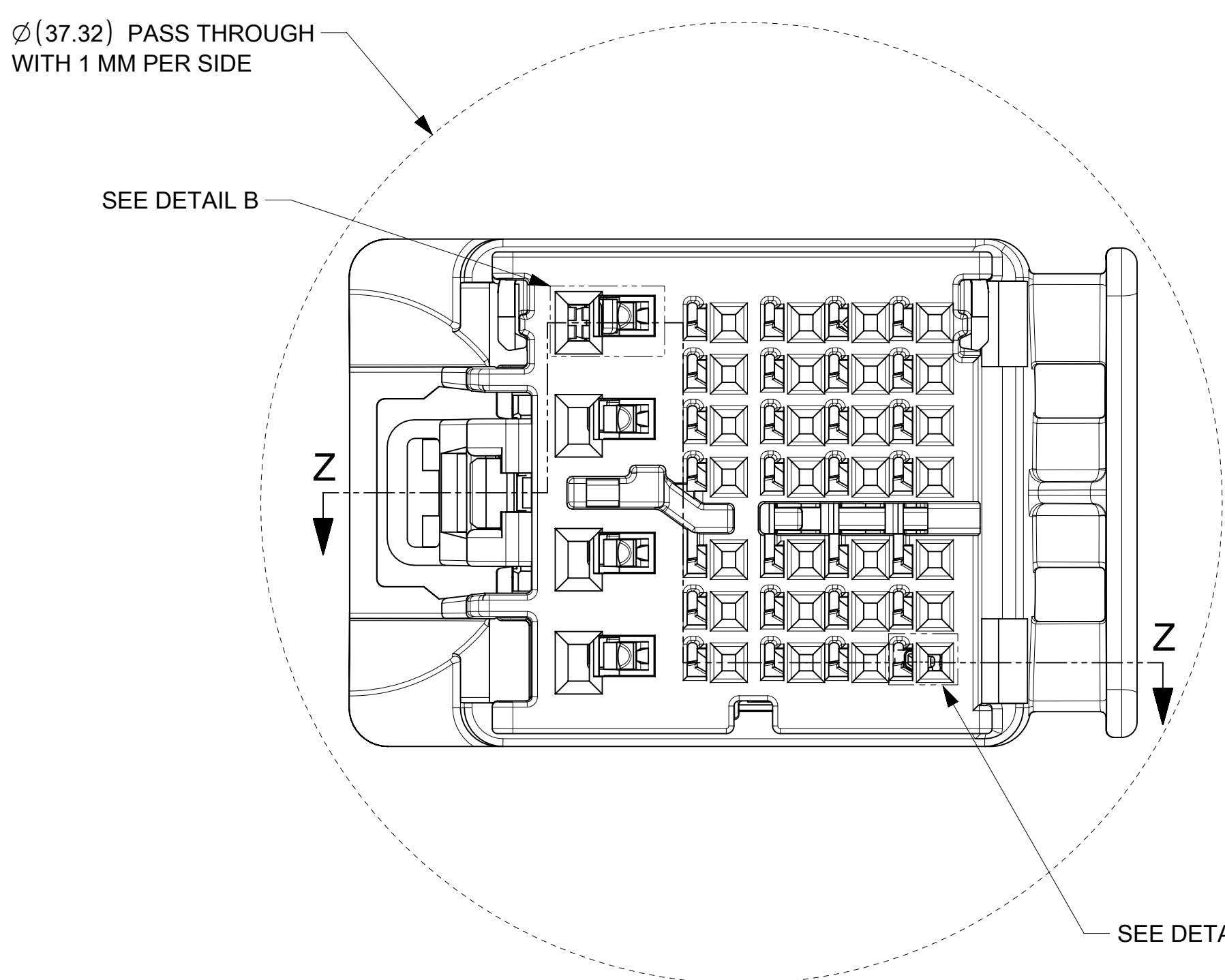
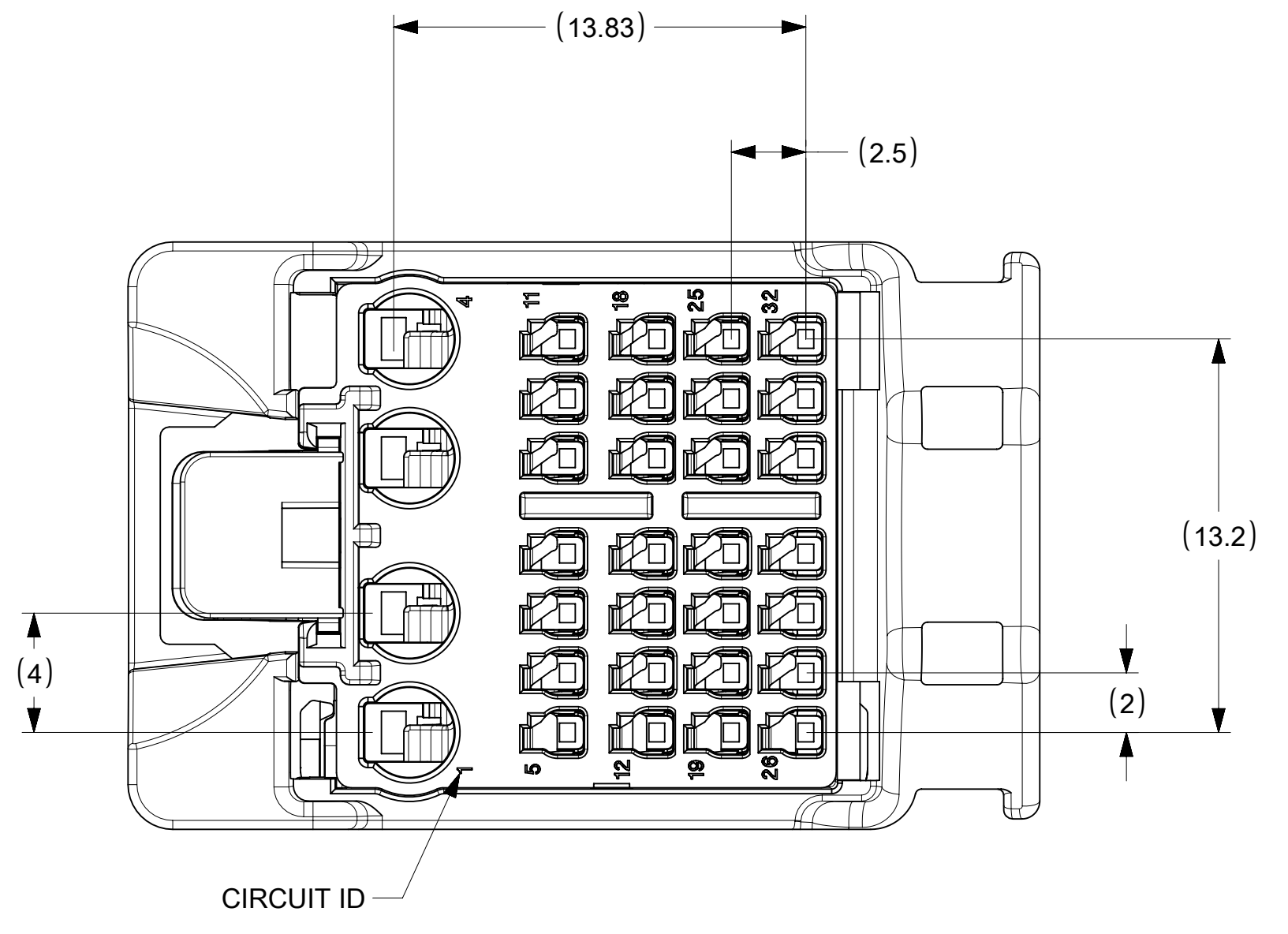


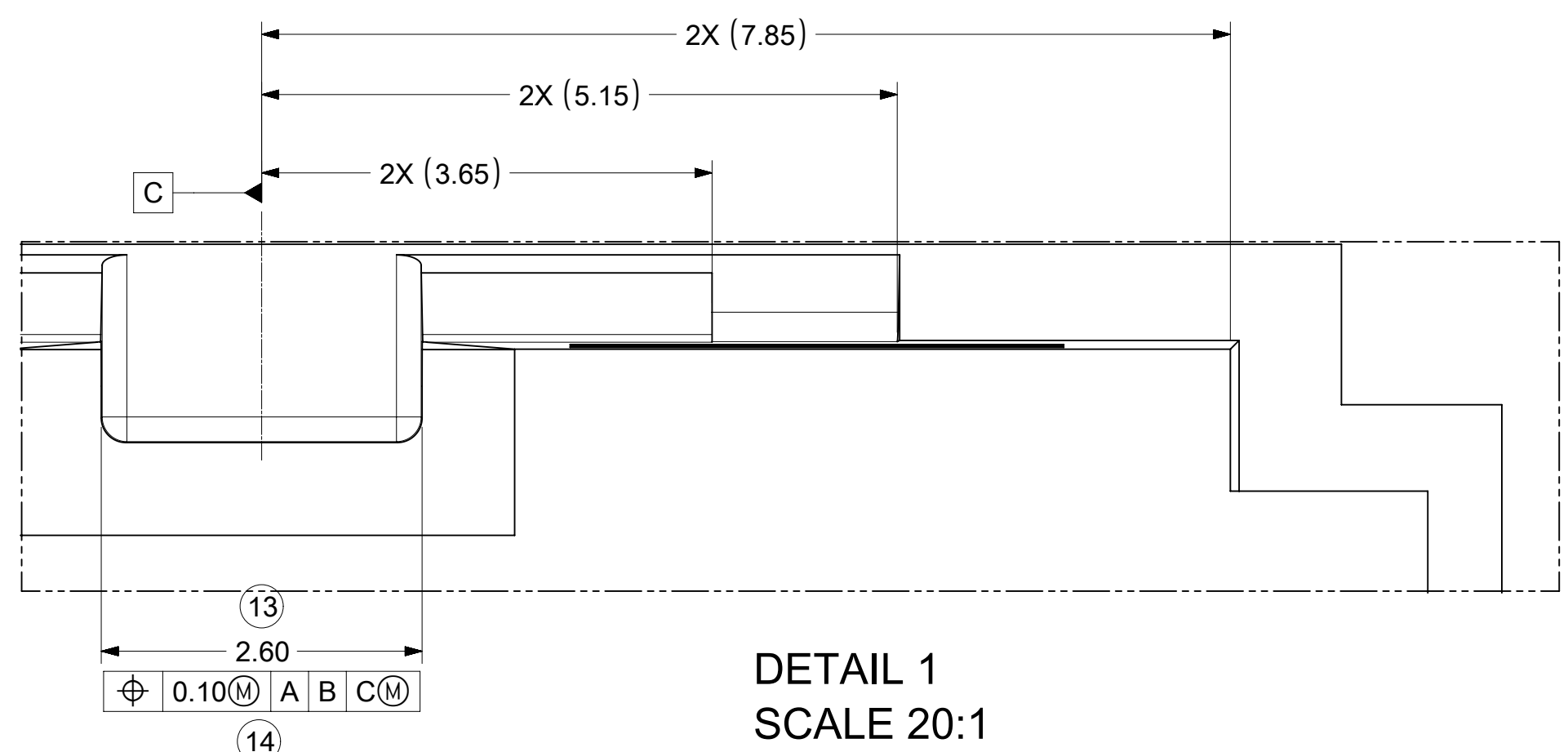
DETAIL A
SCALE 20:1



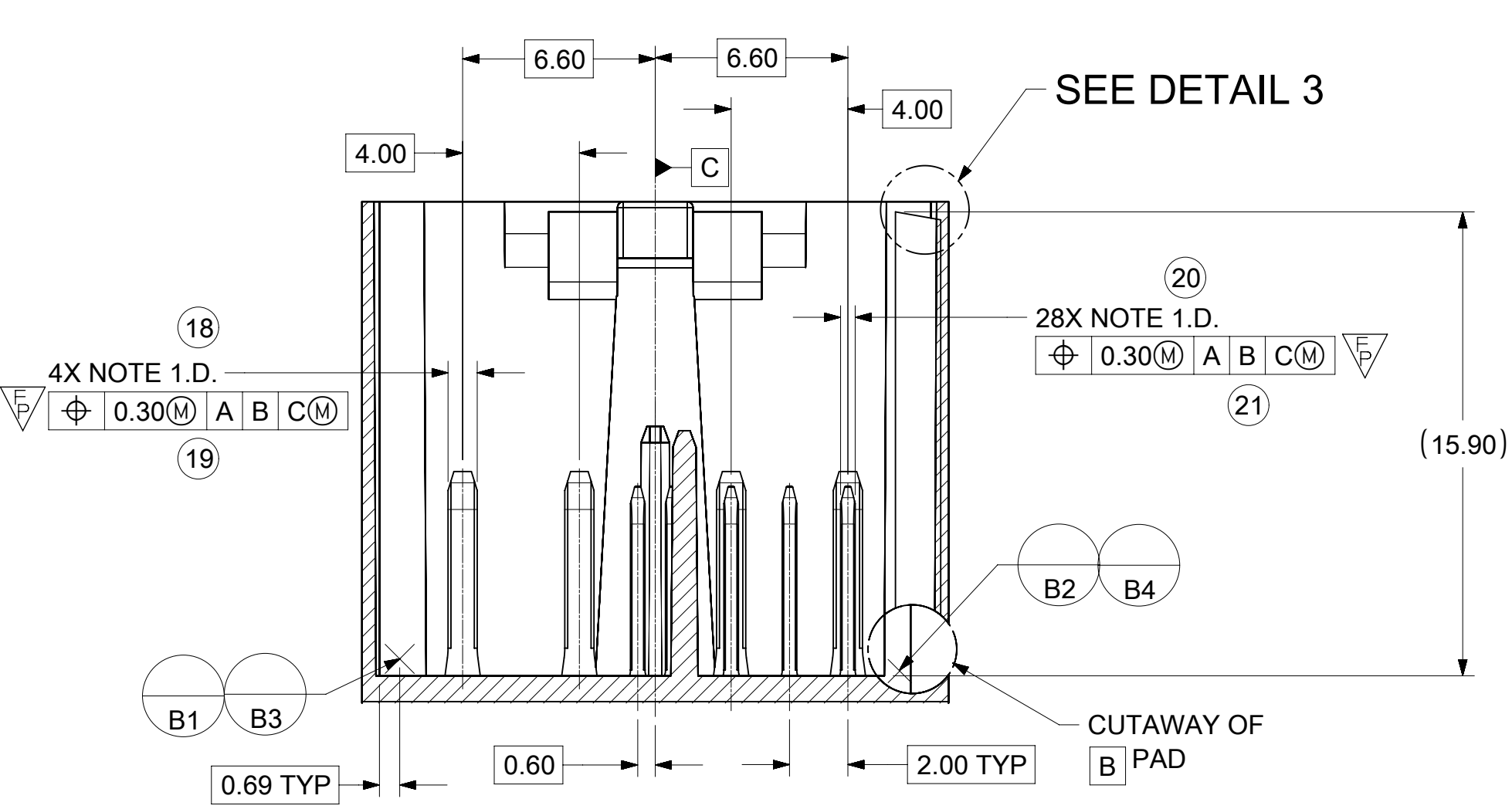
DETAIL B
SCALE 20:1



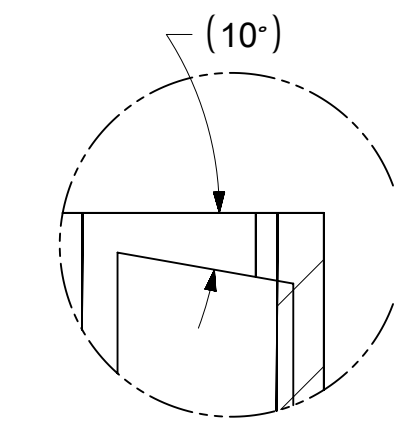
SYMBOLS	THIS DRAWING CONTAINS INFORMATION THAT IS PROPRIETARY TO MOLEX ELECTRONIC TECHNOLOGIES, LLC AND SHOULD NOT BE USED WITHOUT WRITTEN PERMISSION		CURRENT REV DESC: UPDATED TAK50		
	DIMENSION UNITS	SCALE	TERMINAL PNS		
▽ = 0	mm	5:1	EC NO: 648438		32WAY STAK50H HYBRID ASSEMBLY CONNECTOR ASSEMBLY
▽ = 0	GENERAL TOLERANCES (UNLESS SPECIFIED)		DRWN: YPENG47 2021/07/21		
▽ = 0	ANGULAR TOL ± 3.0°		CHK'D: RCARLSON 2021/07/29		
▽ = 0	4 PLACES ±		APPR: JCONDON 2021/08/02		
▽ = 0	3 PLACES ±		INITIAL REVISION:		
▽ = 0	2 PLACES ± 0.3		DRWN: RCARLSON 2019/02/15		
▽ = 0	1 PLACE ± 0.3		APPR: JCONDON 2019/02/25		
▽ = 0	0 PLACES ± 0.3		DRAFT WHERE APPLICABLE MUST REMAIN WITHIN DIMENSIONS		
■ = 0	THIRD ANGLE PROJECTION		DRAWING	SERIES	DOCUMENT NUMBER
▽ = 0	D-DRAWING		D-SIZE	160028	1600280011
			MATERIAL NUMBER	CUSTOMER	DOC TYPE DOC PART REVISION
			SEE SHEET 1	GENERAL MARKET	PSD 000 A5
			SHEET NUMBER		2 OF 2



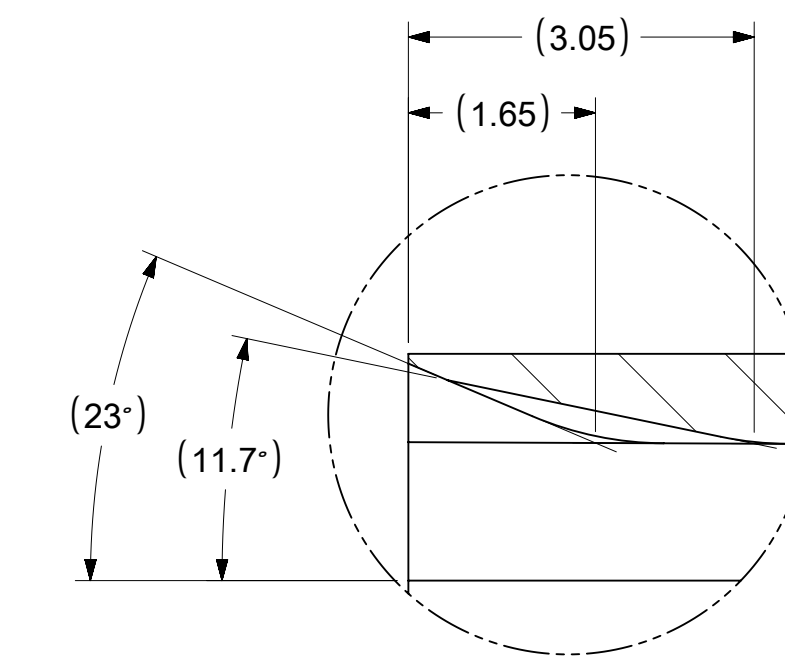
DETAIL 1
SCALE 20:1



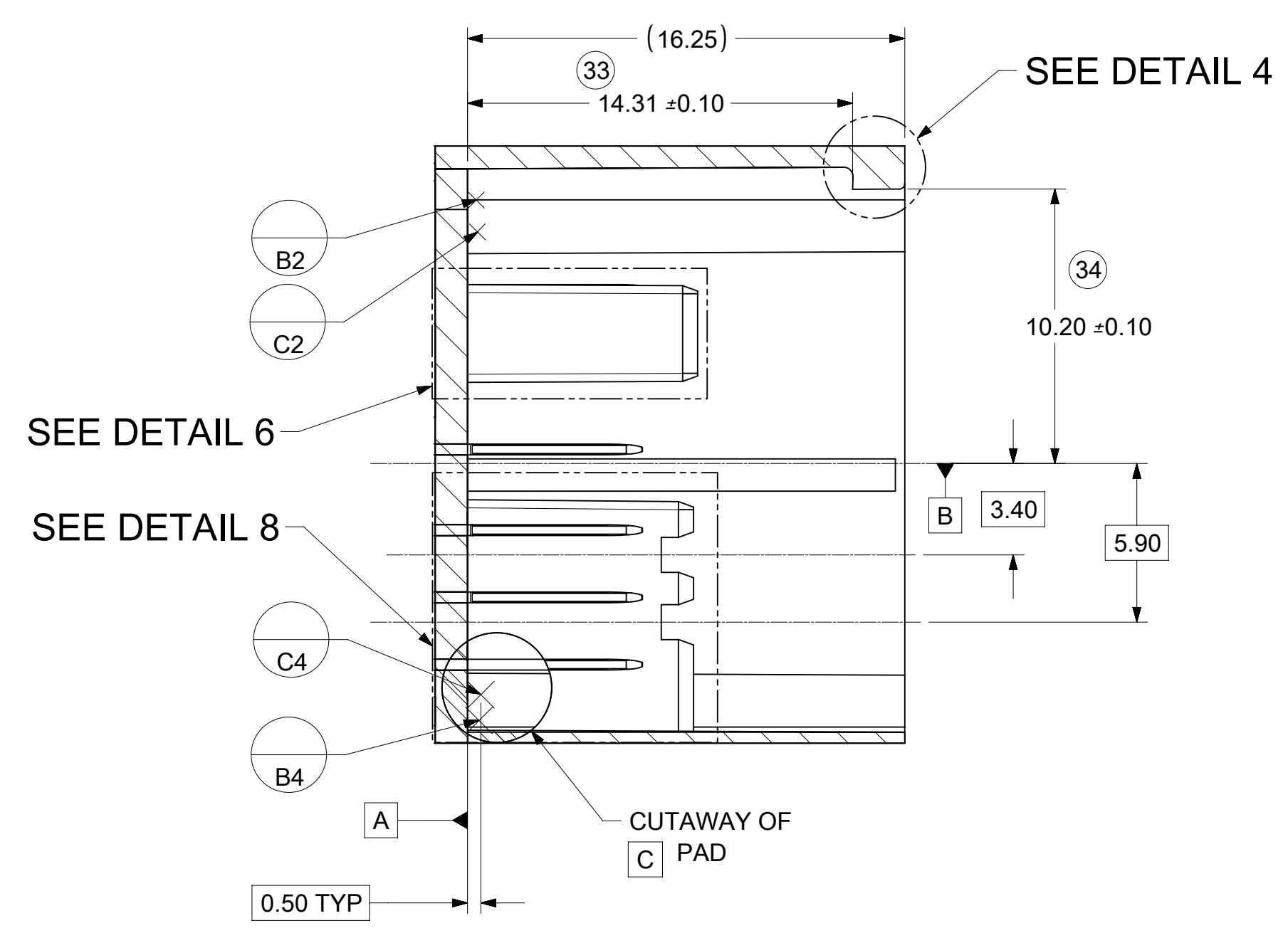
SECTION X-X



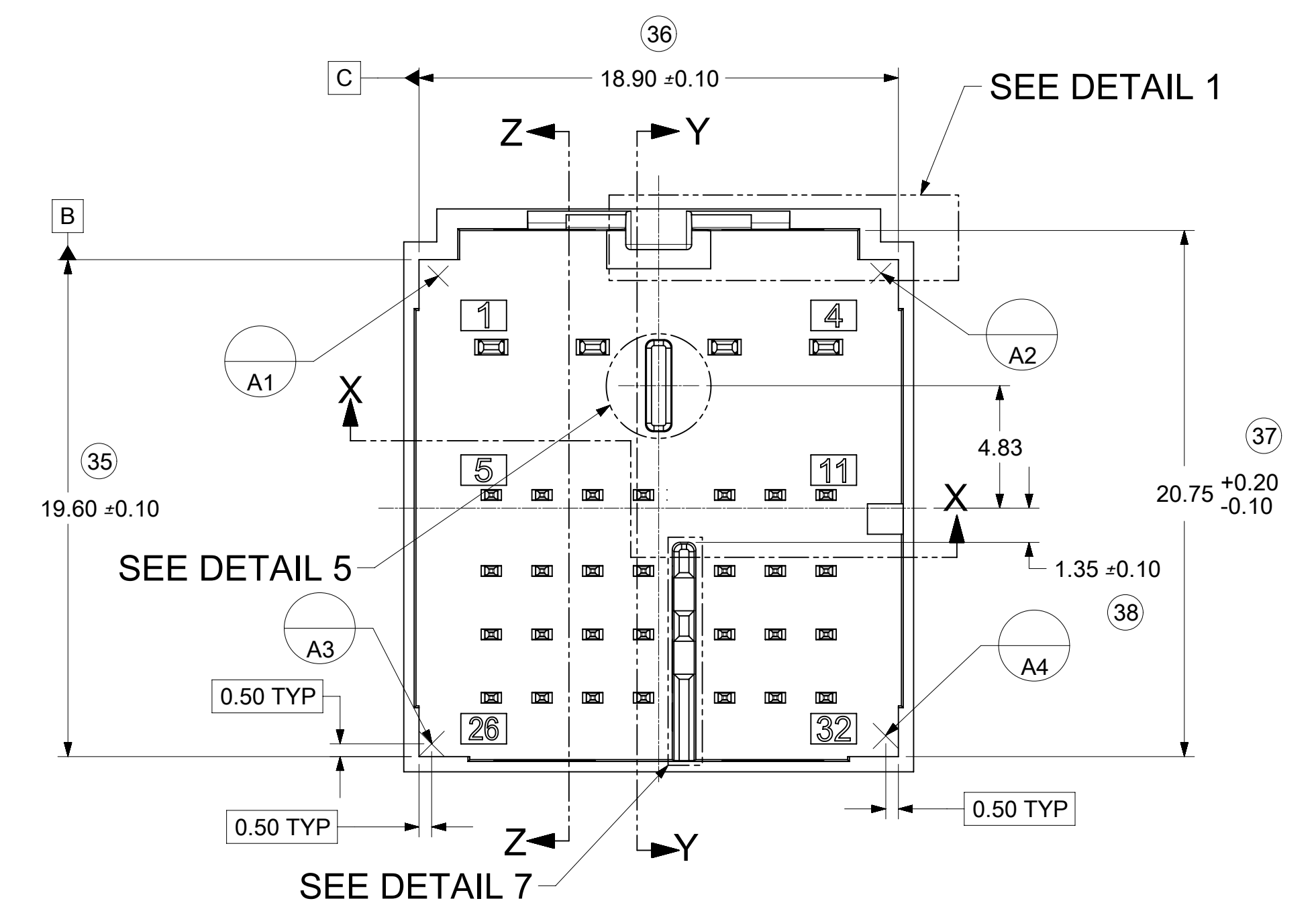
DETAIL 3
SCALE 15:1



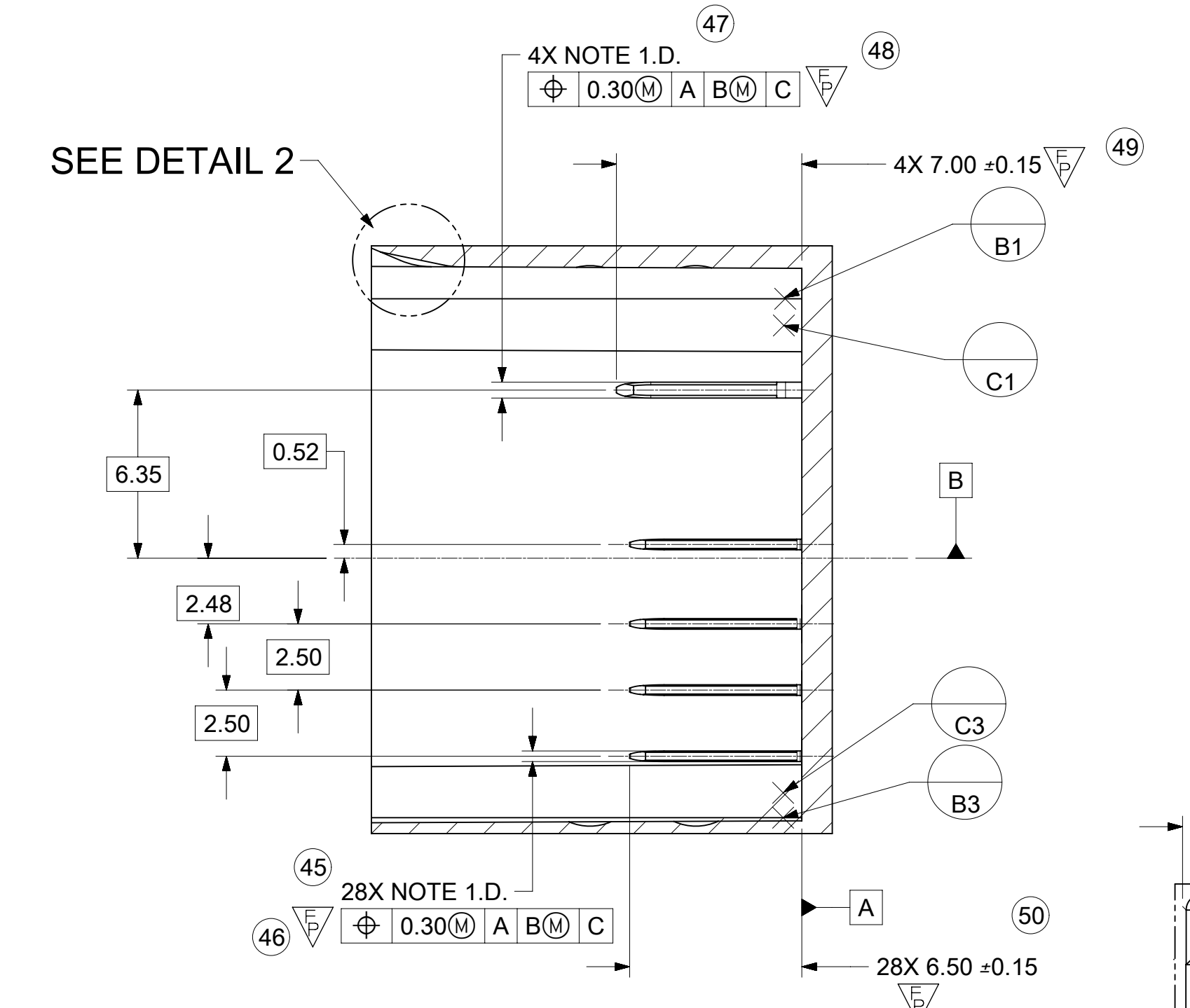
DETAIL 2
SCALE



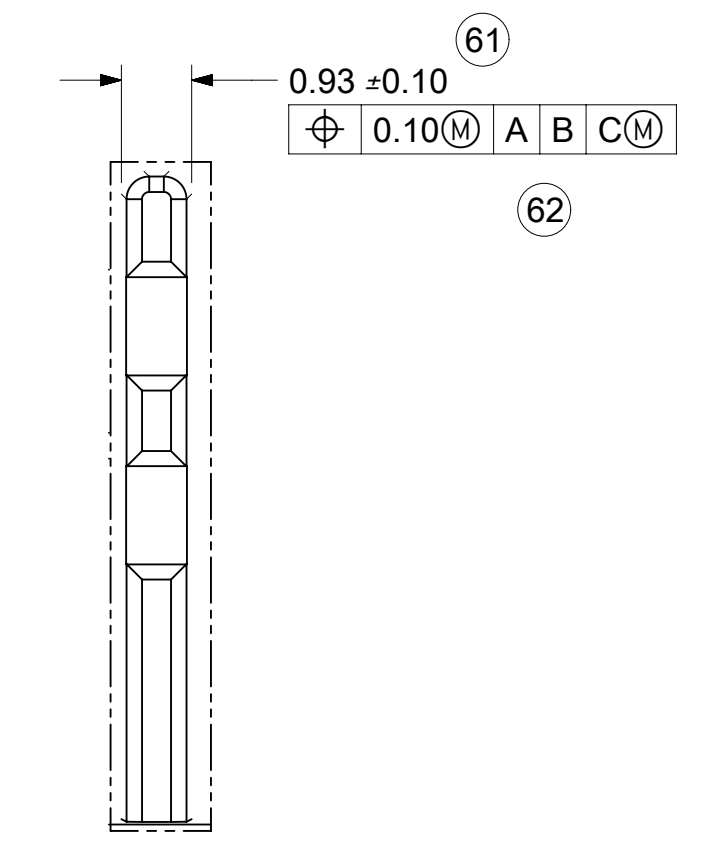
SECTION Y-Y



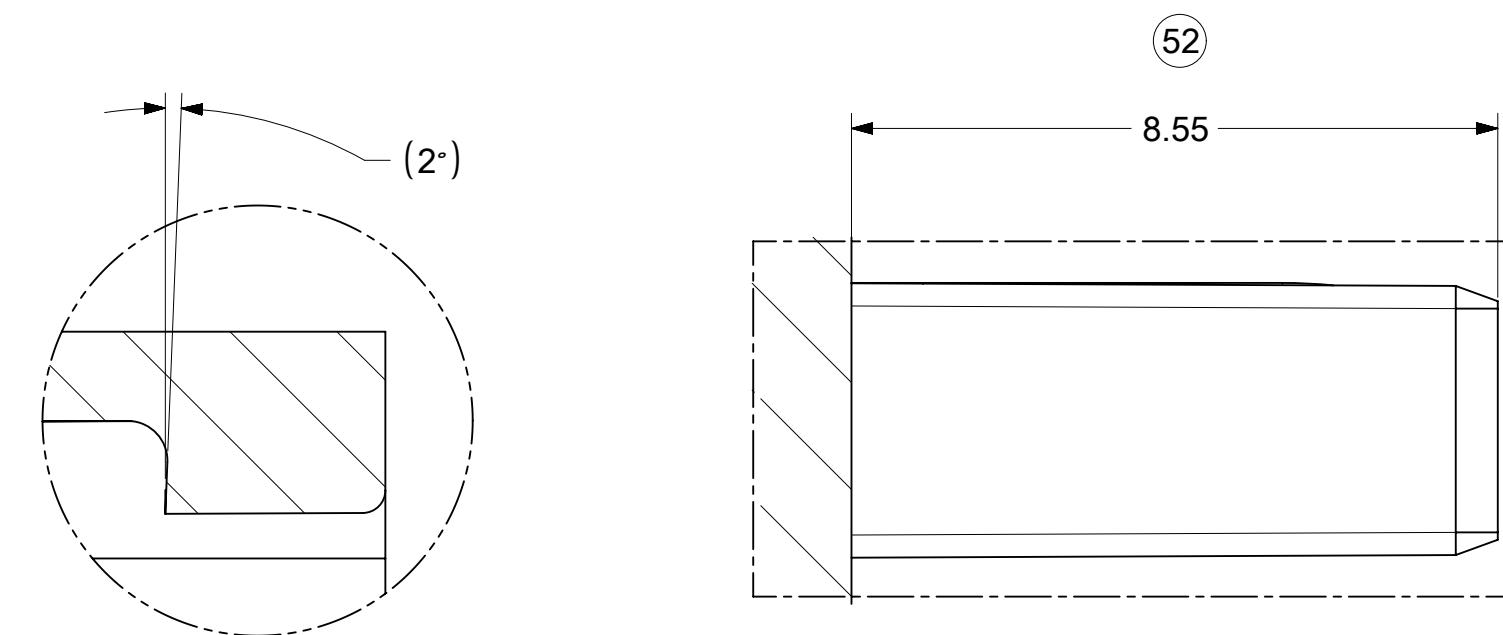
SECTION X-X



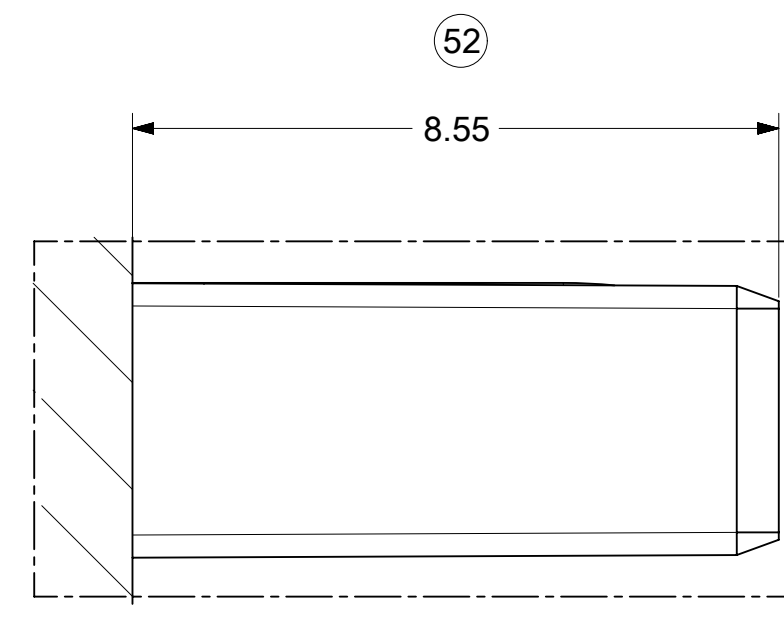
SECTION Z-Z



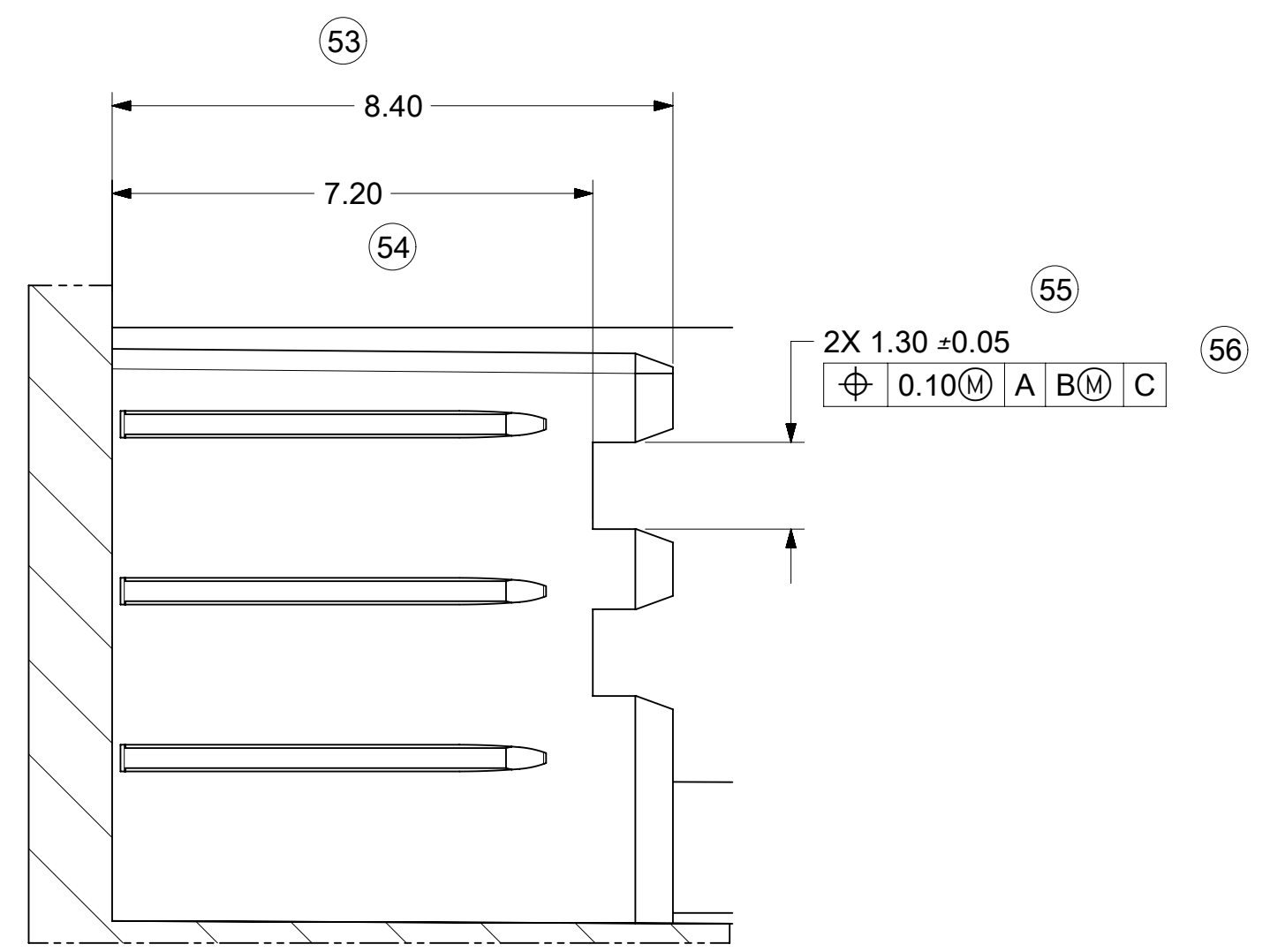
DETAIL 7
SCALE



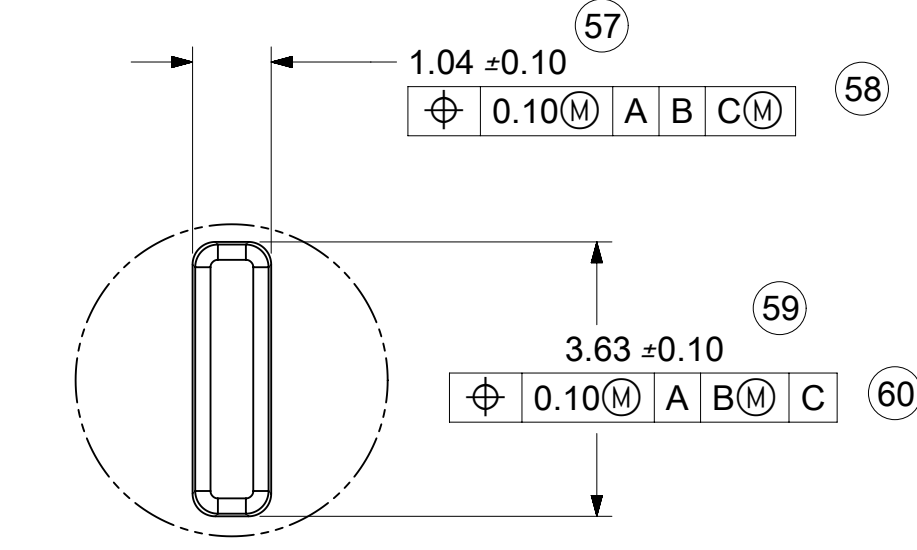
DETAIL 4
SCALE 15:1



DETAIL 6
SCALE 10:1



DETAIL 8
SCALE 10:1



DETAIL 5
SCALE 10:1

SYMBOLS	THIS DRAWING CONTAINS INFORMATION THAT IS PROPRIETARY TO MOLEX ELECTRONIC TECHNOLOGIES, LLC AND SHOULD NOT BE USED WITHOUT WRITTEN PERMISSION		
	DIMENSION UNITS	SCALE	CURRENT REV DESC: ADDED DIMENSION BALLOONS
▽ = 0	mm	5:1	
▽ = 0	GENERAL TOLERANCES (UNLESS SPECIFIED)		
▽ = 6	ANGULAR TOL ± °		
▽ = 0	4 PLACES	±	EC NO: 602204
▽ = 0	3 PLACES	±	DRWN: JCONDON 2018/08/02
▽ = 0	2 PLACES	±	CHK'D: JCONDON 2018/08/03
▽ = 0	1 PLACE	±	APPR: MVANSLAMBROU 2018/08/03
▽ = 0	0 PLACES	±	INITIAL REVISION:
⊠ = 0	DRAFT WHERE APPLICABLE MUST REMAIN WITHIN DIMENSIONS		
⊠ = 0	THIRD ANGLE PROJECTION	DRAWING	DRWN: MYOUNG01 2013/11/14
⊠ = 0		SERIES	APPR: KDEKOSKI 2014/01/02
		D-SIZE	160028
DOCUMENT STATUS		DOC TYPE	DOC PART
P1	RELEASE DATE	PSD	001
2018/08/03	19:41:34	B1	
DOCUMENT NUMBER		CUSTOMER	SHEET NUMBER
SD-160028-002		GENERAL MARKET	2 OF 3

molex

32WAY STAK50H
INTERFACE DRAWING

PRODUCT CUSTOMER DRAWING

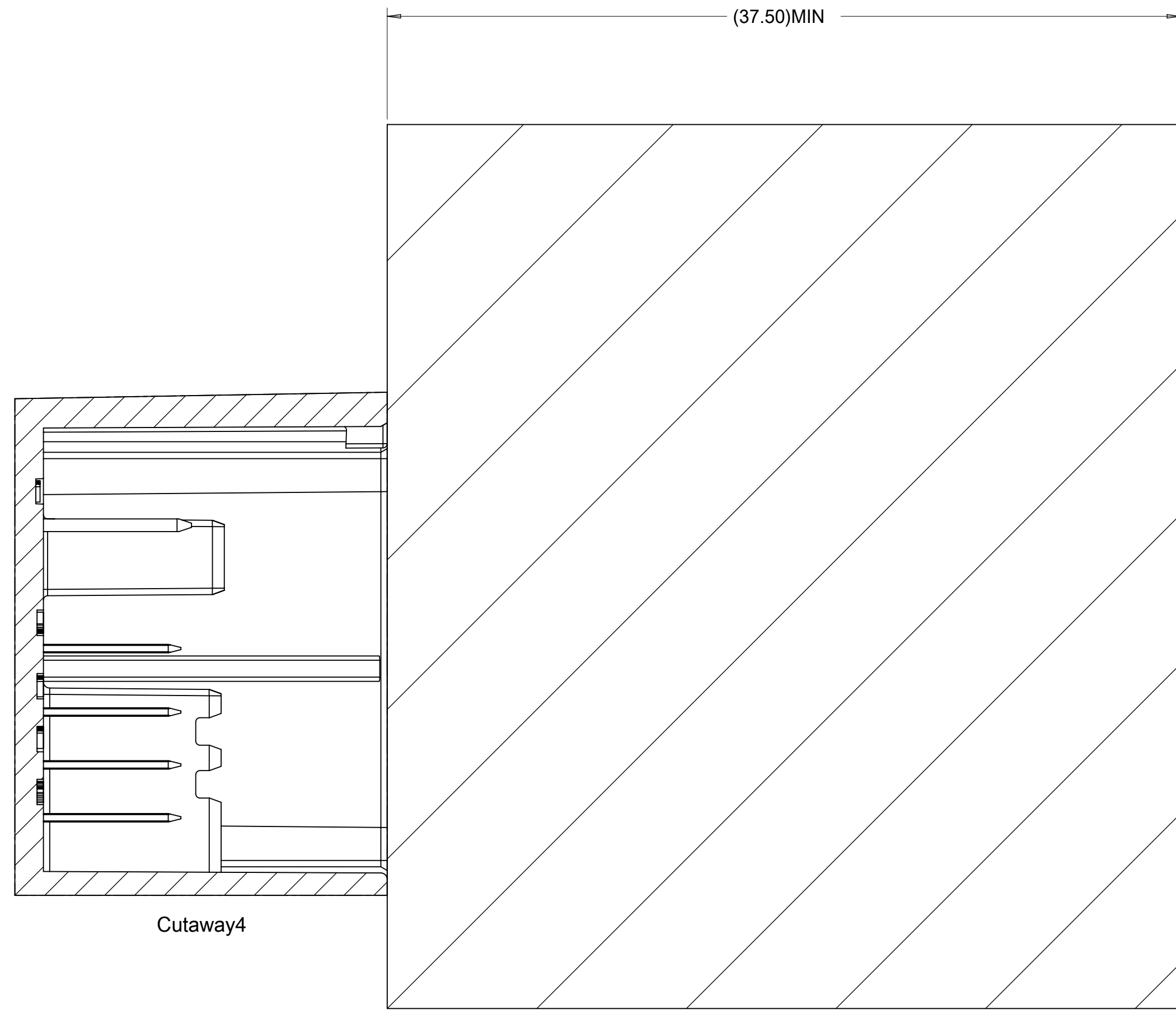
DOCUMENT NUMBER DOC TYPE DOC PART REVISION

SD-160028-002 PSD 001 B1

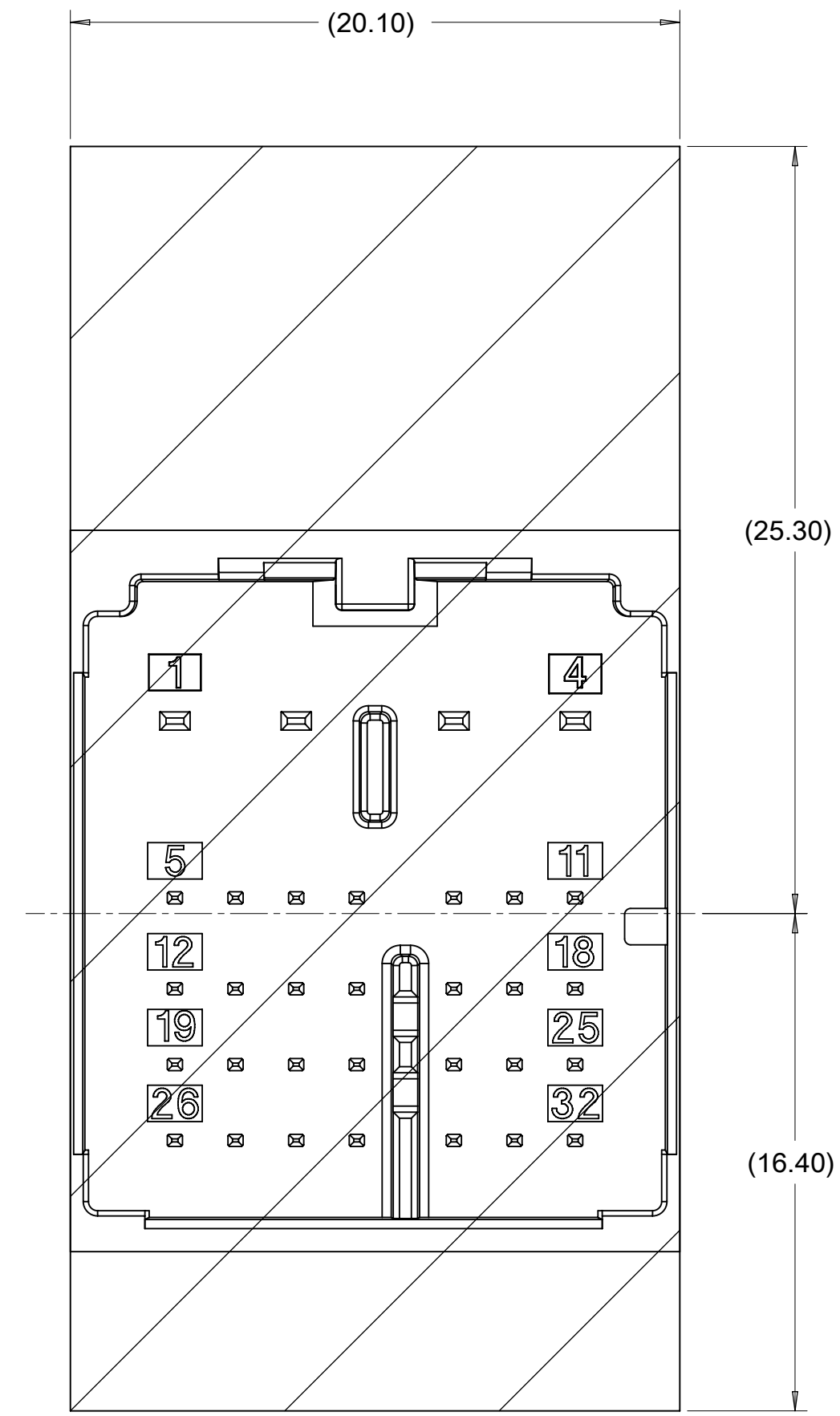
MATERIAL NUMBER CUSTOMER SHEET NUMBER

GENERAL MARKET 2 OF 3

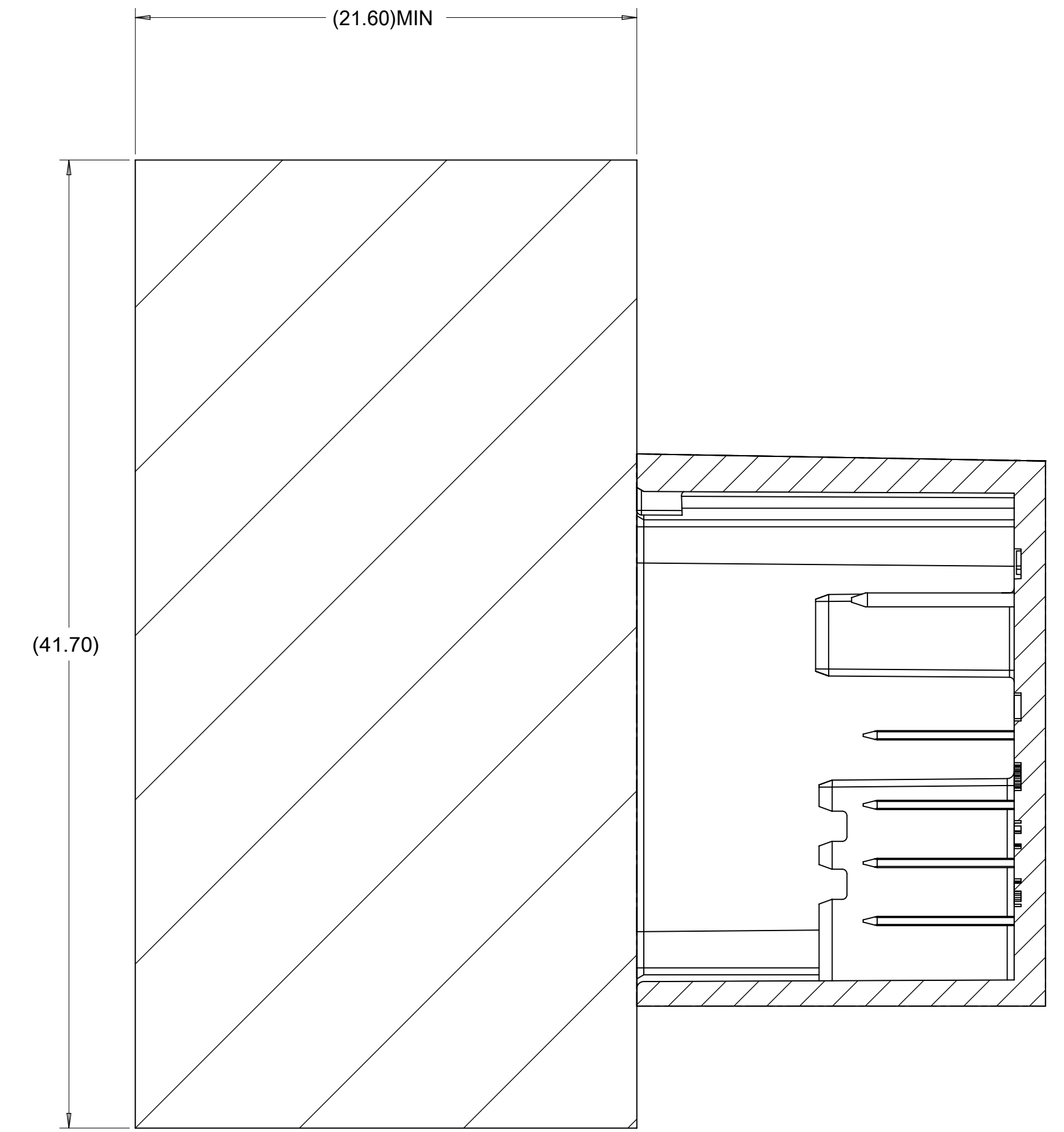
PACKAGE SPACE
FOR UNMATED
CONNECTOR



PACKAGE SPACE
FOR CONNECTOR



PACKAGE SPACE
FOR MATED
CONNECTOR
WITH COVER



SYMBOLS	THIS DRAWING CONTAINS INFORMATION THAT IS PROPRIETARY TO MOLEX ELECTRONIC TECHNOLOGIES, LLC AND SHOULD NOT BE USED WITHOUT WRITTEN PERMISSION		
	DIMENSION UNITS	SCALE	CURRENT REV DESC: ADDED DIMENSION BALLOONS
$\nabla = 0$	mm	5:1	
$\nabla = 0$	GENERAL TOLERANCES (UNLESS SPECIFIED)		
$\nabla = 0$	ANGULAR TOL	\pm	$^{\circ}$
$\nabla = 0$	4 PLACES	\pm	
$\nabla = 0$	3 PLACES	\pm	
$\nabla = 0$	2 PLACES	\pm	
$\nabla = 0$	1 PLACE	\pm	
$\nabla = 0$	0 PLACES	\pm	
$\nabla = 0$	DRAFT WHERE APPLICABLE MUST REMAIN WITHIN DIMENSIONS	THIRD ANGLE PROJECTION	DRAWING SERIES
$\nabla = 0$			D-SIZE 160028
DOCUMENT STATUS		RELEASE DATE	2018/08/03 19:41:34
P1			
DOCUMENT NUMBER		DOC TYPE	DOC PART
SD-160028-002		PSD	001
REVISION			
B1			
MATERIAL NUMBER		CUSTOMER	SHEET NUMBER
160028		GENERAL MARKET	3 OF 3

SEE NOTES

molex

32WAY STAK50H
INTERFACE DRAWING

PRODUCT CUSTOMER DRAWING