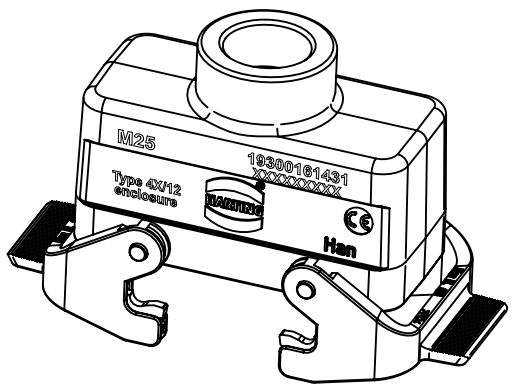
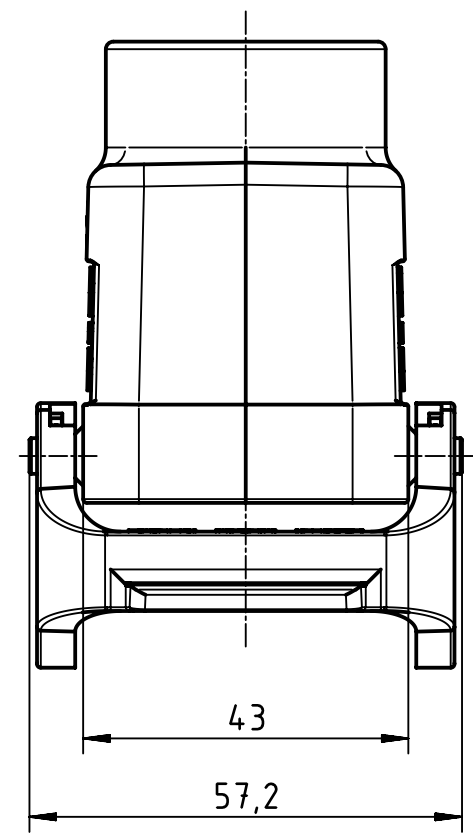
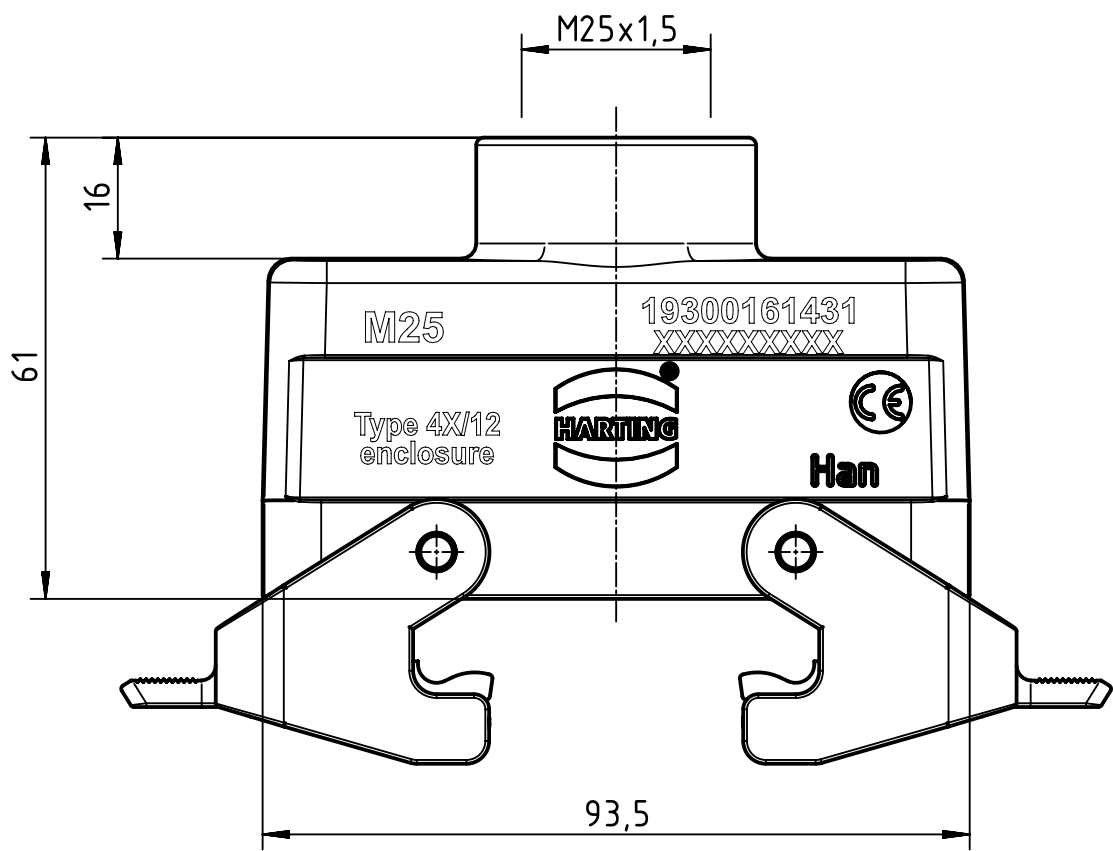


1 2 3 4 5 6

A
B
C
D



| | | | | | | |
|-----------------------------------------------------|----------------------------------------------|--|----------------------------|--------------------------|----------------------------|----------------------------------------------------------|
| | All Dimensions in mm Original Size DIN A4 | | Scale 1:1 | Free size tol. | | Ref. |
| | | | | | | Sub. |
| | All rights reserved | | Created by HELLMANN | Inspected by GERB | Standardisation RUETERA | Date 2020-05-12 |
| | Department EL PD | | | | | State Final Release |
| HARTING Electric GmbH & Co. KG D-32339 Espelkamp | | | Title Han 16B-gg-QB-M25 | | | Doc-Key / ECM-Nr. 100193860/UGD/004/D 500000171206 |
| | | | Type TB | Number 19 30 016 1431 | | Rev. D |
| | | | | | | Page 1/1 |