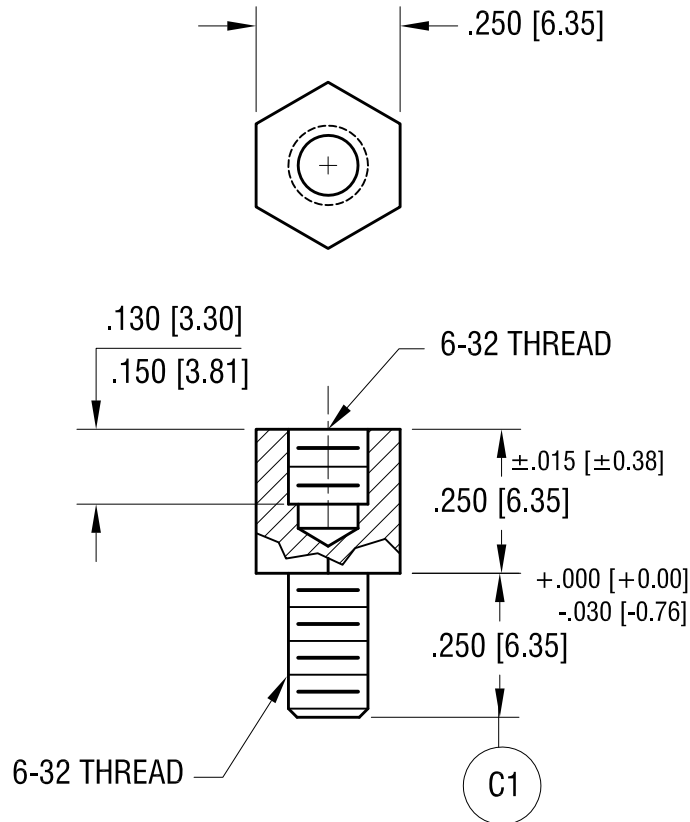
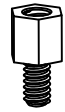


THIS DOCUMENT IS THE PROPERTY OF
KEYSTONE ELECTRONICS CORP. AND
SHALL NOT BE REPRODUCED, DISTRIBUTED
OR USED AS A BASIS FOR MANUFACTURE
WITHOUT PRIOR WRITTEN PERMISSION
FROM KEYSTONE ELECTRONICS CORP.

ACTUAL SIZE



NOTE:

1. MAT'L- HIGH TEMPERATURE ,
HIGH PERFORMANCE NYLON (COLOR- BLACK)
2. TEMPERATURE RANGE: $-20^{\circ}\text{F} [-29^{\circ}\text{C}]$ to $+365^{\circ}\text{F} [+185^{\circ}\text{C}]$

KEYSTONE ELECTRONICS CORP.			
<small>www.keyelco.com • NEW HYDE PARK, NY 11040 • Tel (516) 328-7500</small>			
4.17.23		(C1) WAS $.250 \pm .015$ CHANGE AS PER ECN23-056	C
1.13.22		TEMP. WAS -20°F to $+400^{\circ}\text{F}$ CHANGE AS PER ECN 22-021	B
6.15.20		GENERAL TOLERANCE WAS $\pm .005$ CHANGE AS PER ECN 20-054	A
DATE	DESCRIPTION		REV.
KEYSTONE ELECTRONICS CORP.			
<small>www.keyelco.com • NEW HYDE PARK, NY 11040 • Tel (516) 328-7500</small>			
PART NAME HIGH TEMPERATURE NYLON STANDOFF			
MATERIAL AS NOTED			
FINISH NONE		DRN BY NT	DATE 11.30.17
		APP'D RH	SCALE 3X
TOLERANCES INCH [MM] DECIMAL $\pm .010 [\pm 0.25]$ ANGULAR $\pm 1^{\circ}$ UNLESS OTHERWISE SPECIFIED		CODE C	DWG NO. 4970