

P.W. BOARD PATTERN LAYOUT
(REFERENCE)

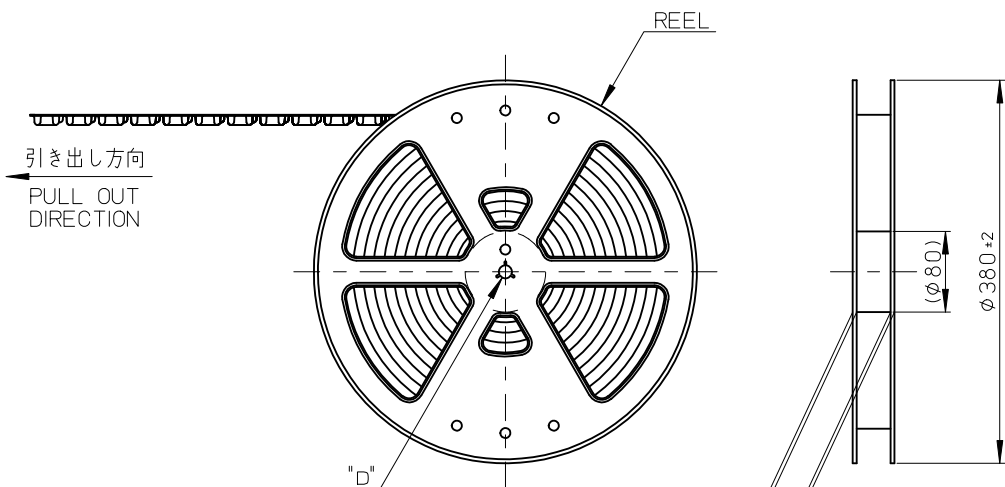
注記 NOTES

1. 使用材料 MATERIAL
ハウジング: 液晶ポリマー(LCP)、ガラス充填、UL94 V-0、黒
HOUSING: LIQUID CRYSTAL POLYMER (LCP),
GLASS FILLED, UL94 V-0, BLACK
ターミナル: 銅合金
TERMINAL: COPPER ALLOY
2. めっき仕様 PLATING
ターミナル TERMINAL
コンタクト部: 金めっき
テール部: 金めっき
下地: ニッケルめっき
*コンタクト部とテール部は、ニッケルメッキによって
分断された金メッキとなります。
CONTACT AREA: GOLD PLATING
SOLDER TAIL AREA: GOLD PLATING
UNDERPLATE: NICKEL PLATING
* GOLD PLATING AREA IS DIVIDED INTO
CONTACT AREA AND SOLDER TAIL AREA
BY NICKEL PLATING.
- △ (全極数/2) = 偶数の場合に適用。
APPLY ONLY WHEN ONE-HALF OF
THE NUMBER OF CIRCUITS IS EVEN NUMBER.
4. 嵌合相手: 503836シリーズ
MATE WITH: 503836 SERIES
5. テール平坦度は、0.1MAX.
TAIL COPLANARITY TO BE 0.1 MAXIMUM.
6. ELV及びRoHS適合品
ELV AND RoHS COMPLIANT.

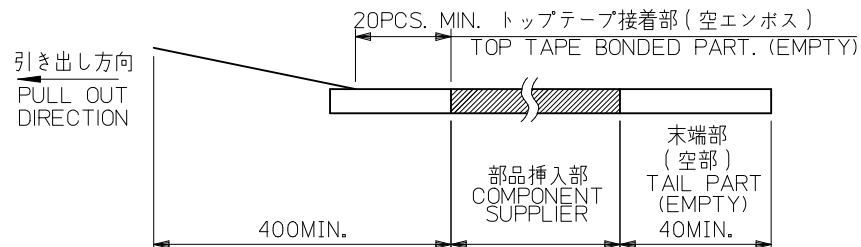
| | | | | | | | |
|---|--|-------------------|-----------------------------------|--|--|-------------------------------|---------------------------|
| RELEASED EC NO.: J2012-1383 DRAWN: MTAKAHASHI 03 2012/05/14 CHK'D: RTAKEUCHI 2012/05/14 APPR: MSASAO 2012/05/14 | GENERAL TOLERANCES (UNLESS SPECIFIED) | | DIMENSION STYLE MM ONLY | | SCALE 10:1 | DESIGN UNITS METRIC | THIRD ANGLE PROJECTION |
| | 10 UNDER | ± 0.2 | DRAWN BY MTAKAHASHI | DATE 032012/05/14 | TITLE 0.5 BB CONN. HGT=3.0 PLUG ASSY | | |
| | 10 OVER 30 UNDER | ± 0.25 | CHECKED BY RTAKEUCHI | DATE 2012/05/14 | | | |
| | 30 OVER | ± 0.3 | APPROVED BY MSASAO | DATE 2012/05/14 | molex | | |
| ANGULAR ±1 ° | | MATERIAL NO. | | DOCUMENT NO. | | | |
| DRAFT WHERE APPLICABLE MUST REMAIN WITHIN DIMENSIONS | | SEE CHART | | SD-503842-001 | | 1 OF 1 | |
| 0 | REV | SIZE A3 | | THIS DRAWING CONTAINS INFORMATION THAT IS PROPRIETARY TO MOLEX INCORPORATED AND SHOULD NOT BE USED WITHOUT WRITTEN PERMISSION | | | |

注記 NOTES

- 製品詳細寸法については製品単体図面を参照下さい。
FOR DETAIL OF CONNECTOR DIMENSIONS,
PLEASE SEE THE DRAWING OF CONNECTOR ITSELF (NOT PACKAGED).
- 梱包数量: 2500 個/リール
NUMBER OF CONNECTORS : 2500PCS/REEL
- リードテープ長さ LEAD TAPE LENGTH

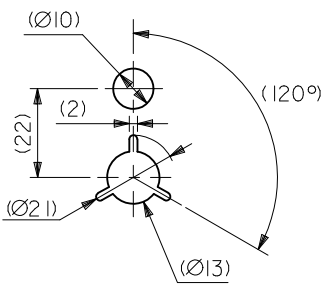


引き出し方向
PULL OUT DIRECTION



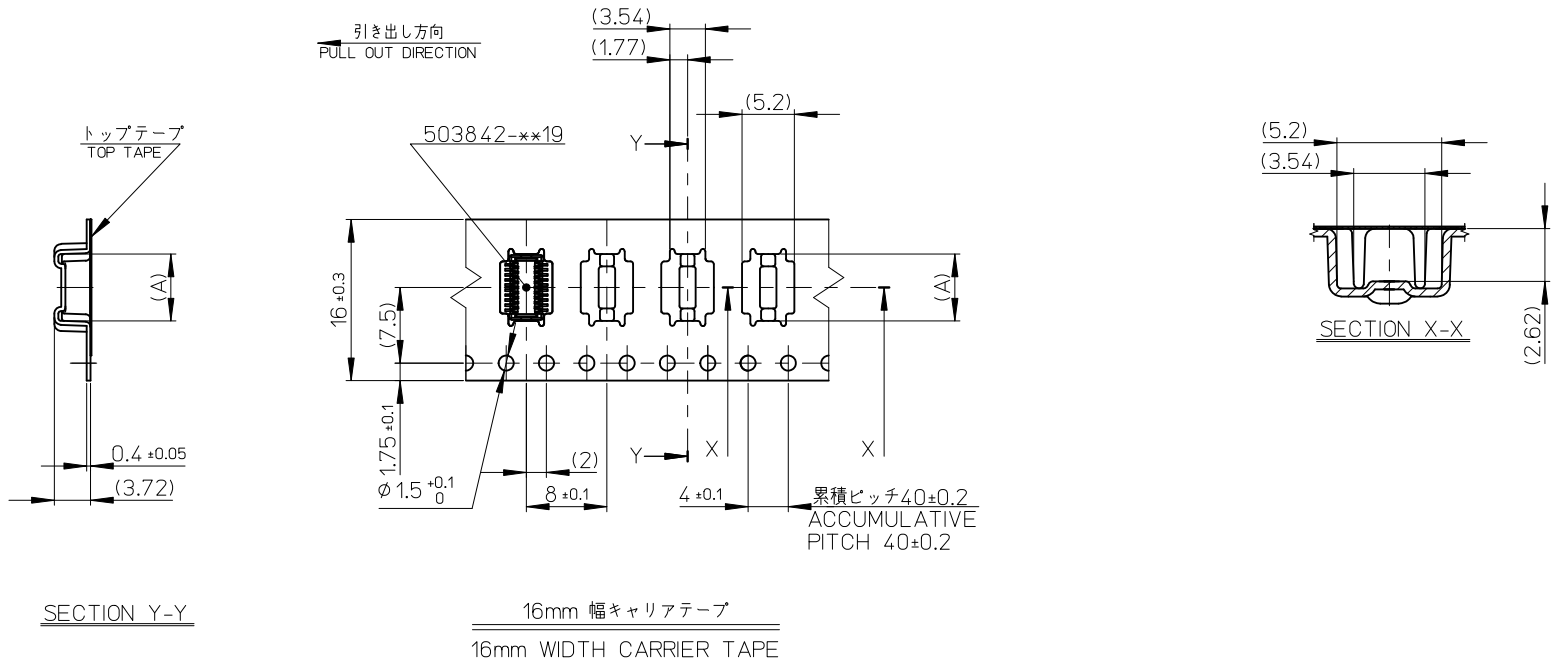
引き出し方向
PULL OUT DIRECTION

- 材料 MATERIAL
キャリアテープ (CARRIER TAPE): ポリスチレン (POLYSTYRENE)
トップテープ (TOP TAPE): PET, OTHER
リール (REEL): ポリスチレン (PS) <リサイクル材を含む>
POLYSTYRENE (PS) <RECYCLE MATERIAL CONTAINED>
- ELV及びRoHS適合品
ELV AND RoHS COMPLIANT



DETAIL "D"

| | | | | | | | | | |
|---|-----------------------|---------------------------------------|--|---|--|---|------------------------|-------------------------|--|
| RELEASED EC NO.: J2012-1387 DRWN: MTAKAHASHI 03 2012/05/15 CHKD: RTAKEUCHI 2012/05/15 APPR: MSASAO 2012/05/16 | DESCRIPTION REV: 0 | GENERAL TOLERANCES (UNLESS SPECIFIED) | | DIMENSION STYLE MM ONLY | | SCALE --- | DESIGN UNITS METRIC | MODEL NO. 503842-**10 | |
| | | 10 UNDER ± --- | | DRAWN BY DATE MTAKAHASHI 03 2012/05/15 | | TITLE 0.5 BB CONN. H=3.0 PLUG ASSY EMBSTP PKG | | | |
| | | 10 OVER 30 UNDER ± --- | | CHECKED BY DATE RTAKEUCHI 2012/05/15 | | | | | |
| | | 30 OVER ± --- | | APPROVED BY DATE MSASAO 2012/05/16 | | | | | |
| ANGULAR ± --- ° | | MATERIAL NO. | | DOCUMENT NO. | | SHEET NO. | | | |
| DRAFT WHERE APPLICABLE MUST REMAIN WITHIN DIMENSIONS | | SEE TABLE | | SD-503842-002 | | 1 OF 2 | | | |
| | | SIZE A3 | | THIS DRAWING CONTAINS INFORMATION THAT IS PROPRIETARY TO MOLEX INCORPORATED AND SHOULD NOT BE USED WITHOUT WRITTEN PERMISSION | | | | | |



| | | | | | |
|--------------------------------|------|------|------|--------------|-------------|
| 16 | 21.4 | 17.4 | 7.65 | 503842-2410 | 24 |
| | | | 6.65 | 503842-2010 | 20 |
| キャリアテープ幅 CARRIER TAPE WIDTH | | | (A) | MATERIAL No. | CKT. |
| | | | | MODEL No. | 503842-**10 |

| | | | | | | | | |
|--|-----------------------|--|---|---|---------------------------------------|---|---------------------------|-------------------------------|
| RELEASED EC NO.: J2012-1387 DRWN: MTAKAHASHI 03 2012/05/15 CH'KD: RTAKEUCHI 2012/05/15 APPR: MSASAO 2012/05/16 | DESCRIPTION REV: 0 | GENERAL TOLERANCES (UNLESS SPECIFIED) | DIMENSION STYLE MM ONLY | SCALE --- | DESIGN UNITS METRIC | TITLE 0.5 BB CONN. H=3.0 PLUG ASSY EMBSTP PKG | | |
| | | 10 UNDER ± --- 10 OVER 30 UNDER ± --- 30 OVER ± --- | DRAWN BY DATE MTAKAHASHI 03 2012/05/15 | CHECKED BY DATE RTAKEUCHI 2012/05/15 | APPROVED BY DATE MSASAO 2012/05/16 | | MATERIAL NO. SEE CHART | DOCUMENT NO. SD-503842-002 |
| | | ANGULAR ± --- ° DRAFT WHERE APPLICABLE MUST REMAIN WITHIN DIMENSIONS | THIRD ANGLE PROJECTION | | | | SHEET NO. 2 OF 2 | |
| | | THIS DRAWING CONTAINS INFORMATION THAT IS PROPRIETARY TO MOLEX INCORPORATED AND SHOULD NOT BE USED WITHOUT WRITTEN PERMISSION | | | | | | |