

PLEASE CHECK WWW.MOLEX.COM FOR LATEST PART INFORMATION

Part Number: [0513480213](#)
Status: **Active**
Description: 3.30mm Pitch Wire-to-Wire Terminal Position Assurance (TPA) Retainer, 2 Circuits

Documents:

| | |
|---|--|
| 3D Model | Product Specification PS-51347-001-001 (PDF) |
| Drawing (PDF) | RoHS Certificate of Compliance (PDF) |
| Product Specification PS-501328-001-001 (PDF) | |

General

| | |
|----------------|-----------------------------|
| Product Family | Accessories |
| Series | 51348 |
| Component Type | Terminal Position Assurance |
| Product Name | TPA - Term Pos Assurance |
| UPC | 756054809525 |

Physical

| | |
|-------------------------------|----------------|
| Circuits (Loaded) | 2 |
| Color - Resin | Yellow |
| Material - Resin | Nylon |
| Net Weight | 137.800/mg |
| Number of Rows | 1 |
| Packaging Type | Bag |
| Temperature Range - Operating | -25°C to +85°C |

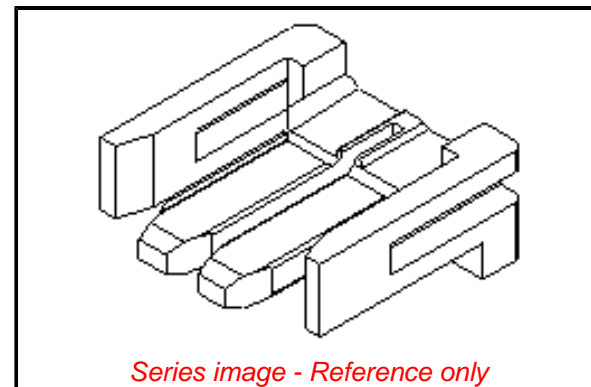
Electrical

| | |
|-------------------------------|------|
| Current - Maximum per Contact | 4.0A |
|-------------------------------|------|

Material Info

Reference - Drawing Numbers

| | |
|-----------------------|-------------------------------------|
| Product Specification | PS-501328-001-001, PS-51347-001-001 |
| Sales Drawing | SD-51348-002 |



EU ELV

Not Relevant

EU RoHS

Compliant

REACH SVHC

Not Contained Per -
ED/21/2016 (20 June
2016)

Halogen-Free

Status

Not Low-Halogen

**Need more information on product
environmental compliance?**

Email productcompliance@molex.com
Please visit the [Contact Us](#) section for any
non-product compliance questions.

China ROHS

ELV

RoHS Phthalates

China RoHS

Green Image

Not Relevant

Not Contained

Search Parts in this Series

[51348 Series](#)

Use With

51347 , 51346 , 501328 , 501329