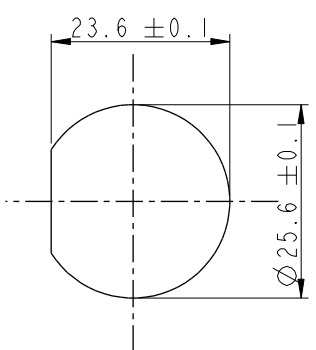
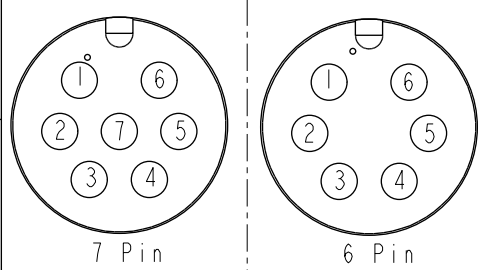
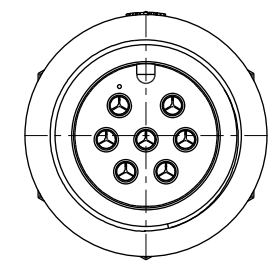
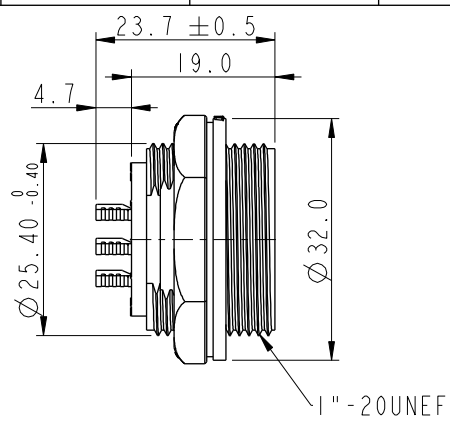
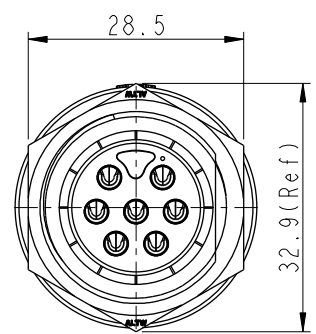


THIS DOCUMENT IS SUBJECT TO CHANGE WITHOUT NOTICE. IT IS CONFIDENTIAL AND A PROPERTY OF Amphenol LTW. DISCLOSURE TO THIRD PARTY HAS TO BE AUTHORIZED BY Amphenol LTW.

REV.	ECN NO.	DATE	SIGN	DESCRIPTION
B	LEN1830057~62	2018/02/26	Lingpeng	Change The Design
C	CI90347	2019/03/12	Vicky	Change Note



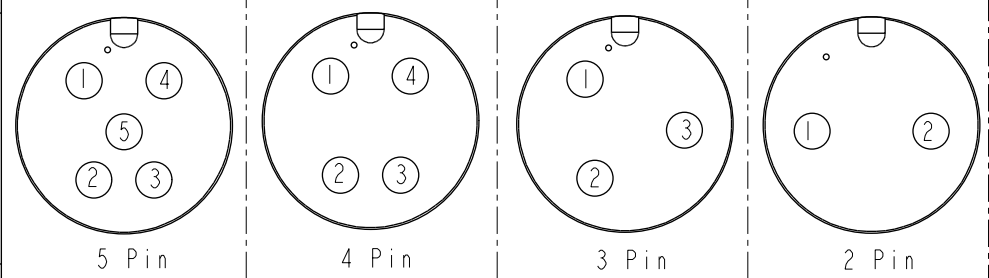
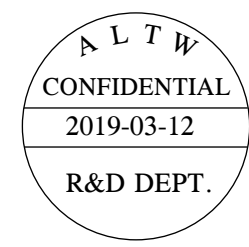
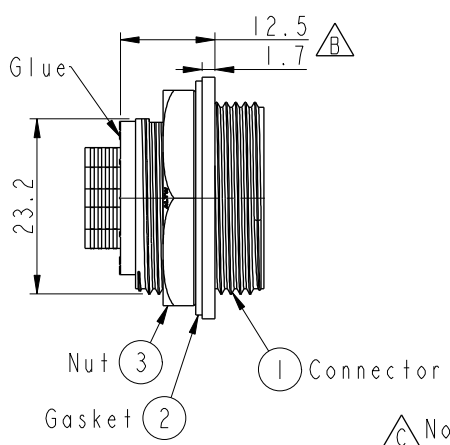
Recommended Panel Cut-Out



Pin Assignments Front View

ADC-XXRMS-SC7001  
 02: 2Pin  
 07: 7Pin

With Liquid Glue



Pin Assignments Front View

- Note:**
- \*  $\varnothing$  Important Dimension To Check.
  - \* Waterproof Rate: IP67, Unmated.
  - \* Housing: Thermoplastic, Black.
  - \* Pin: Copper Alloy, Gold Plated.
  - \* Nut: Thermoplastic, Black.
  - \* Gasket: Rubber, Gray.
  - \* Maximum Panel Thickness: 3.0mm
  - \* Gasket and Nut are packed separately in PE bags. (Gasket/Nut不組裝·散裝出貨)

UNIT:mm		TITLE LARGE PANEL SCREW M CONN M PIN	
TOLERANCE $\Delta$ ±0.5mm		SCALE 1:1	SIZE A4
		REV. C	SHEET 1 OF 1
		WC-REV. A.2	QC: Inspection item

**Amphenol LTW**  
 安費諾亮泰企業股份有限公司

ITEM NO	DRAWN BY	DATE
DWG NO ADC-XXRMS-SC7001	Vicky	2019-03-12
CUSTOMER ALTW	CHECKED BY Rita	DATE 2019-03-12
	APPROVED BY Max	DATE 2019-03-12