

Power Inductor AMDU Series

**Automotive
AEC-Q200**

RoHS Compliant
Halogen Free
REACH Compliant



- Power Circuit
- Shield
- Wire Wound
- Metal
- Ultra High Current

Part Numbering

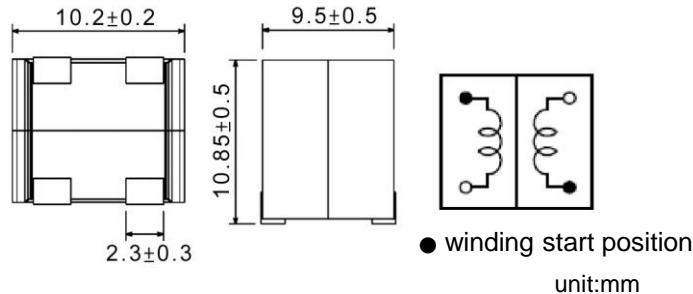
A	MDU	00	101010	100	M	A1
Grade	Series Name	Control Code	Dimensions Code (mm)	Inductance (uH)	Tolerance	Internal Code
			101010 10.2x9.5x10.85	100 10 150 15 220 22	M ±20%	

Power Inductor AMDU Series

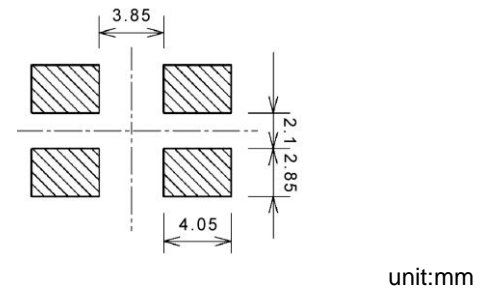
**Automotive
AEC-Q200**

AMDU00101010 Type

■ Dimensions



■ Recommended Land Pattern



■ Electrical Characteristics

Part No.	Inductance (uH)	Test Freq.	RDC(mΩ) Max(Typ)	Isat (A)Typ.	Irms (A)Typ.	Tolerance (±%)	Marking
AMDU00101010100MA1	10	100kHz/0.5V	24(20)	7.5	4.8	20	100
AMDU00101010150MA1	15	100kHz/0.5V	35(30)	5.5	3.8	20	150
AMDU00101010220MA1	22	100kHz/0.5V	53(48)	4.5	3.0	20	220

Note: When ordering, please specify tolerance code. Tolerance: M=±20%

- Operating temperature range - 40°C ~ 125°C
- Isat for Inductance drop 30% from its value without current
- Irms for a 40°C temprature rise from 25°C ambient with current
- The part temperature (ambient + temp rise) should not exceed 125°C under worst case operating conditions.
Circuit design 125°C under worst case operating conditions. Component placement, PWB trace size and thickness, airflow and other cooling provisions all affect the part temperature. Part temperature should be verified in the end application.
- Absolute maximum voltage 30VDC
- Measure Equipment:
L: WK3260B or WK6500P
RDC: CHEN HWA502 or 16502
Isat: WK3260B+WK3265B
Irms: CHROMA 1810

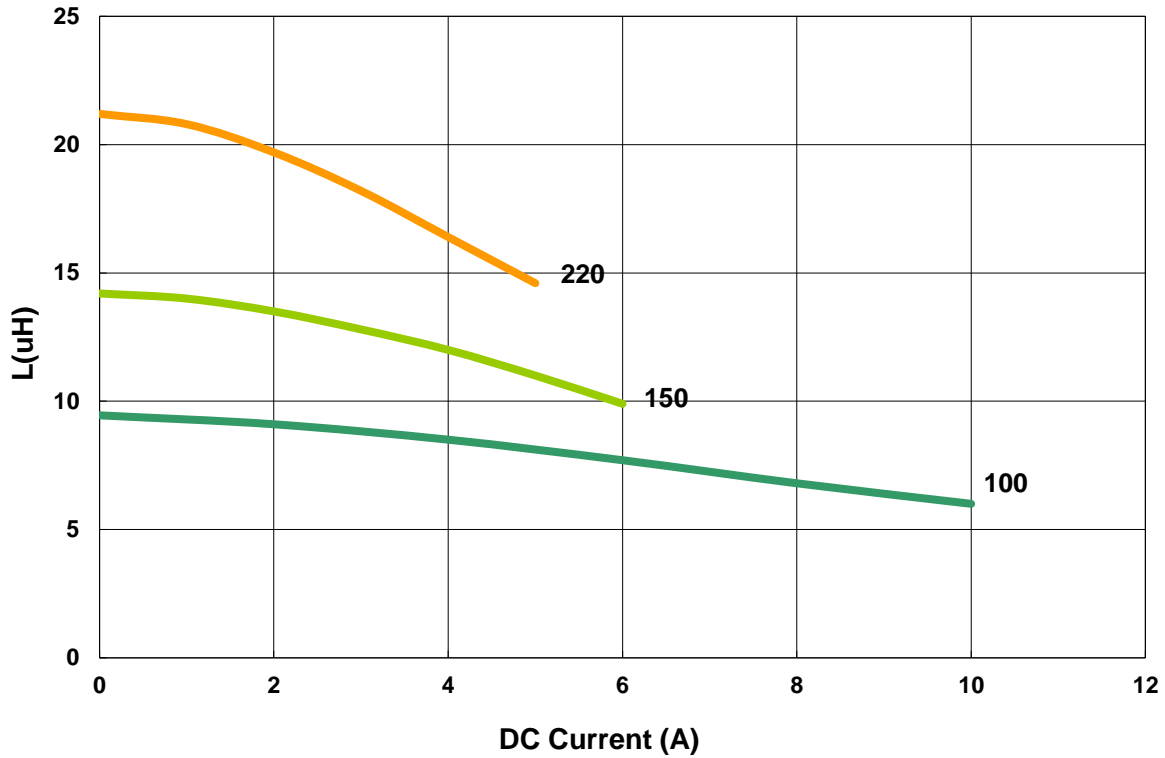
Power Inductor AMDU Series

**Automotive
AEC-Q200**

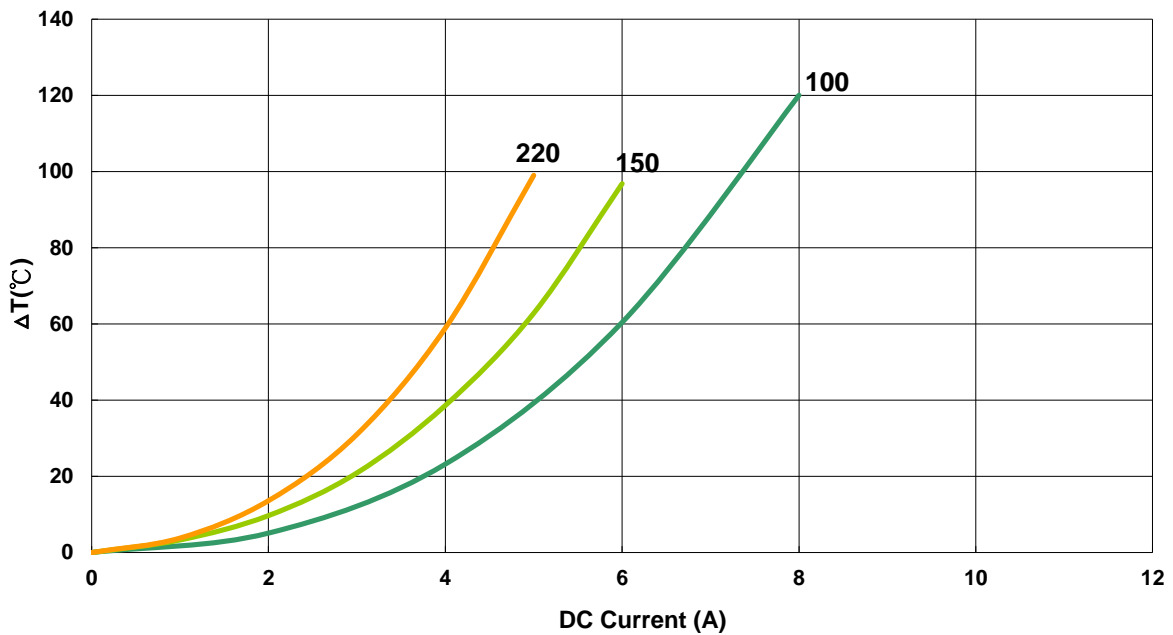
AMDU00101010 Type

Characteristics Graph

Inductance vs. DC Current



Temperature Change vs. DC Current

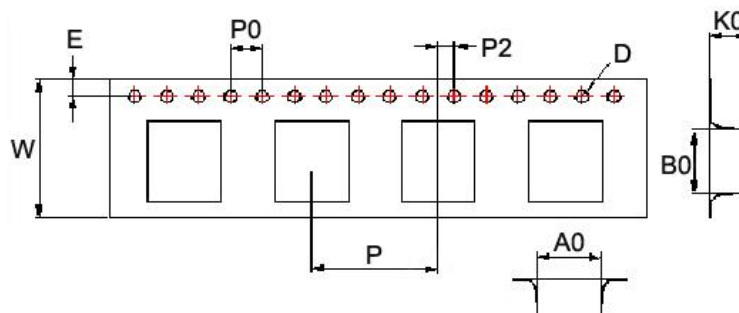


Power Inductor AMDU Series

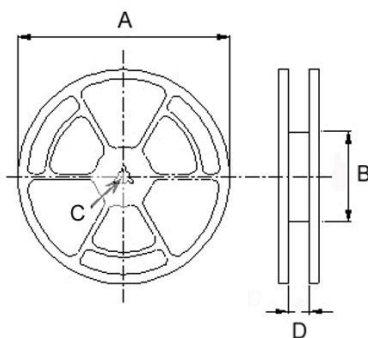
**Automotive
AEC-Q200**

■ Packaging

Tape Dimensions



Reel Dimensions



Dimensions in mm

TYPE	Tape Dimensions									Reel Dimensions				Quantity
	A0	B0	K0	D	E	W	P	P0	P2	A	B	C	D	PCS / REEL
AMDU00101010	10.2	10.7	11.5	1.55	1.75	24	16	4	2	330	100	13	24.4	200