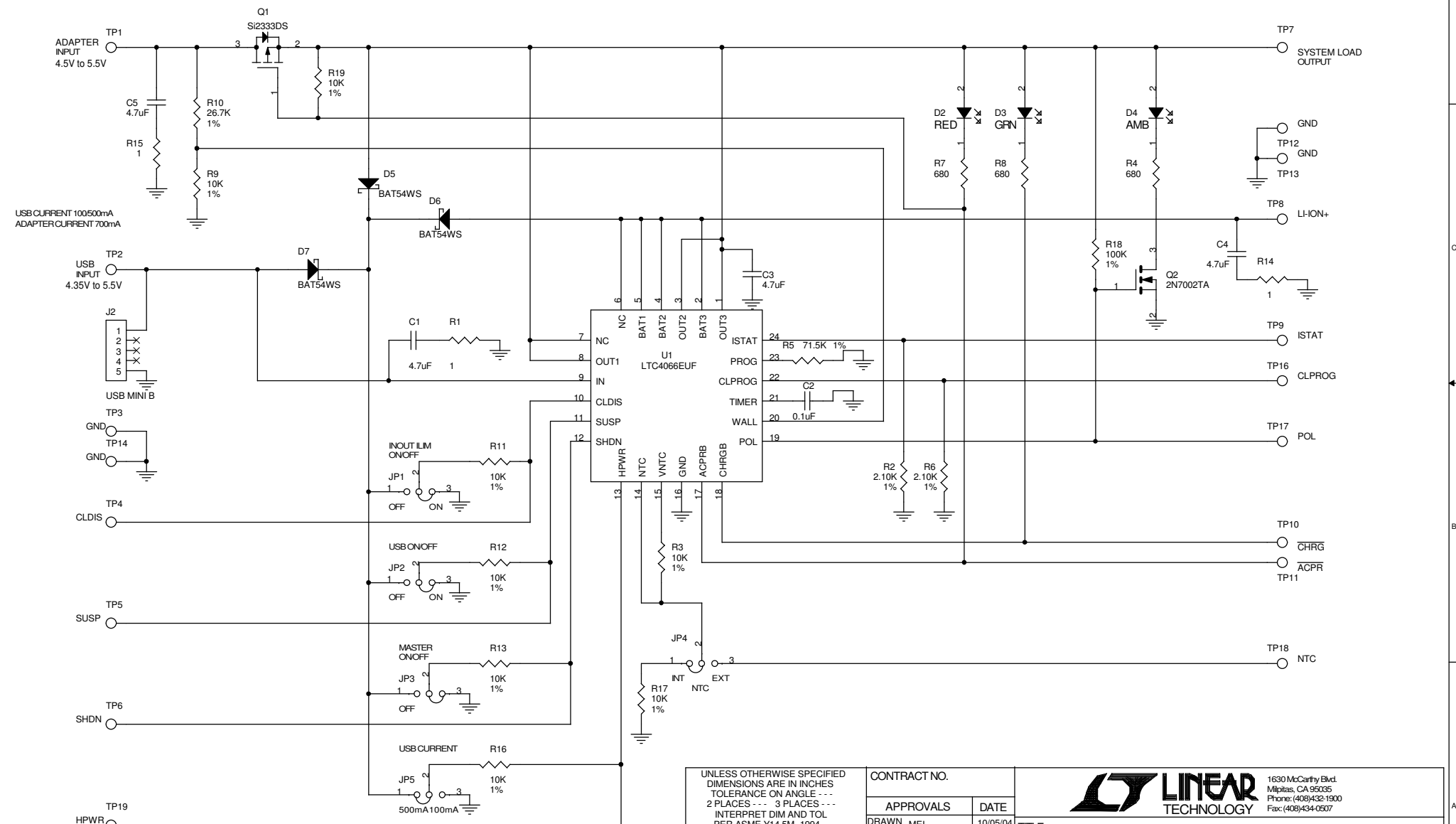


This circuit is proprietary to Linear Technology and supplied for use with Linear Technology parts.
Customer Notice: Linear Technology has made a best effort to design a circuit that meets customer-supplied specifications; however, it remains the customer's responsibility to verify proper and reliable operation in the actual application. Component substitution and printed circuit board layout may significantly affect circuit performance or reliability. Contact Linear Applications Engineering for assistance.

REVISION HISTORY				
ECO	REV	DESCRIPTION	DATE	APPROVED
	4	PROTO	06/28/05	



UNLESS OTHERWISE SPECIFIED DIMENSIONS ARE IN INCHES TOLERANCE ON ANGLE . . . 2 PLACES - - 3 PLACES - - INTERPRET DIM AND TOL PER ASME Y14.5M -1994		CONTRACT NO.				1630 McCarthy Blvd. Milpitas, CA 95035 Phone: (408)432-1900 Fax: (408)434-0507	
THIRD ANGLE PROJECTION		APPROVALS	DATE			TITLE	
		DRAWN	MEI	10/05/04	SIZE	CAGE CODE	DWG NO
		CHECKED			DC848A		REV
		APPROVED					4
		ENGINEER					
		DESIGNER					
DO NOT SCALE DRAWING		Tuesday, August 09, 2005		SCALE: NONE	FILENAME: 848A-31.DSN	SHEET 1	OF 1