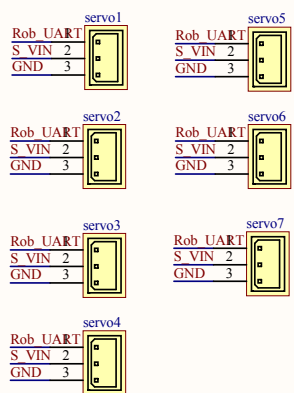
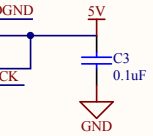
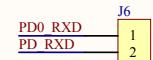
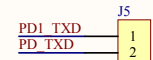
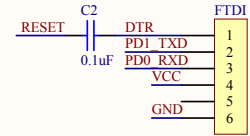
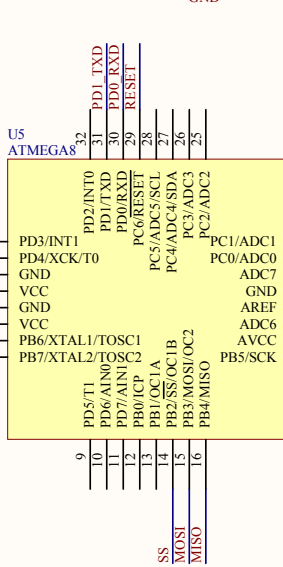
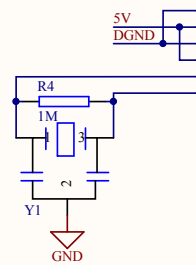
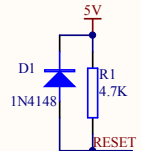


IO Expansion

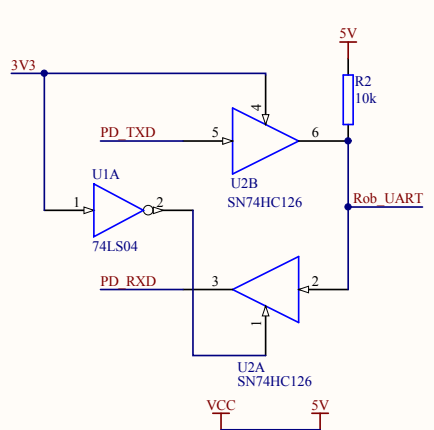
ss:10  
mosi:11  
miso:12  
sck:13



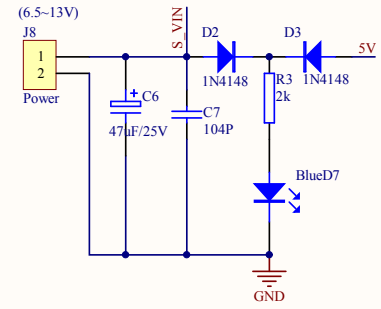
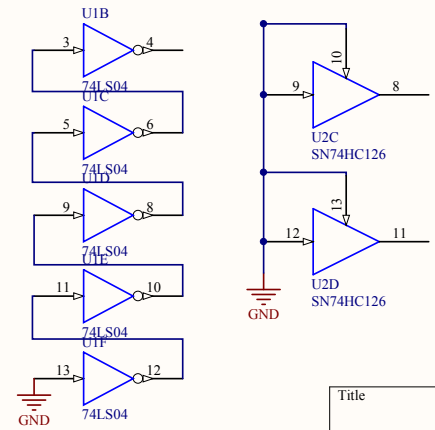
Servo Interface



MCU



UART



Power

Title		
Digital servo driver shield		
Size	Number	Revision
B		V0.2
Date:	2013/3/7	Sheet of
File:	D:\PCB	Drawn By: Phoebe