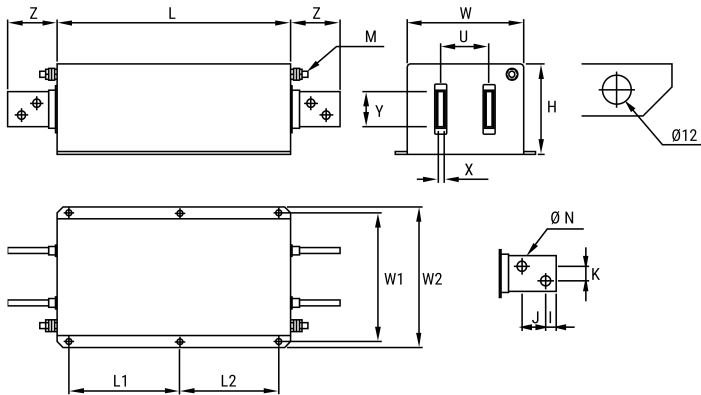


FLLE21K6APX11

Aliases (LLE21K6APX11)

KEMET, FLLE2-PV, EMI/RFI Filters, Noise Suppression, 1.2 kV, 1.6 kA, 300x150x130mm



Click [here](#) for the 3D model.

Dimensions

L	300mm NOM
W	150mm NOM
H	130mm NOM
L1	130mm NOM
L2	110mm NOM
W1	175mm NOM
W2	200mm NOM
U	70mm NOM
X	10mm NOM
Y	60mm NOM
Z	110mm NOM
I	17mm NOM
J	43mm NOM
K	26mm NOM
N	14mm NOM
M (Earth)	Threaded Studs M12

Packaging Specifications

Packaging	Bulk
Packaging Quantity	1
Component Weight	16000 g

General Information

Series	FLLE2-PV
Style	Chassis Mount
Description	EMI Filter, Without Y Capacitor
Features	Single Phase, Photovoltaic Applications
Phase	Single-phase
RoHS	Yes
Qualifications	IEC/EN 60939, UL 1283
Terminal Type	Threaded Studs M12

Specifications

Voltage DC	1200 VDC
Rated Current	1600 A (50°C)
Rated Temperature	55°C
Temperature Range	-40/+100°C
Climate Category	40/100/21
Test Voltage DC (P to P)	3000 VDC
Test Voltage DC (P to E)	3600 VDC
Power Loss	70 W (25°C 50 Hz)

Statements of suitability for certain applications are based on our knowledge of typical operating conditions for such applications, but are not intended to constitute - and we specifically disclaim - any warranty concerning suitability for a specific customer application or use. This information is intended for use only by customers who have the requisite experience and capability to determine the correct products for their application. Any technical advice inferred from this information or otherwise provided by us with reference to the use of our products is given gratis, and we assume no obligation or liability for the advice given or results obtained.