

IIoT Product End-of-Life Notice

End of Life, Last Time Buy and Replacement Announcement

Dear Valued Customers:

For immediately release, Advantech is announcing the End of Life (EOL) of **FPM-2120G**, **FPM-2150G**, and **FPM-2170G**. The relative replacing models are as below list. Customers who had purchased this Part Number either to purchase any additional rules or migrate to the new replacement models if possible before the EOL's shipment date.

Product Part Numbers Affected by This Announcement

End of Life Product	Suggested Replacement Product	Sample Available Date
FPM-2120G-R3BE	FPM-212-R8AE	Mid-Sep. 2020
FPM-2150G-R3BE	FPM-215-R8AE	Mid-Sep. 2020
FPM-2170G-R3BE	FPM-217-R8AE	Mid-Sep. 2020

Reason for the Changes:

- **Product Enhancement**
 - 1) New LCD panels
 - 2) More video input ports
 - 3) Elegant true flat outlook
 - 4) Remove RS-232 touch screen interface
 - 5) Consistent cutout dimensions for smoother product transitioning

Description of the Changes:

1) New LCD panels

Due to the EOL of the current 12" and 15" LCD panels, and the long period of usage of the current 17" LCD panel approaching EOL, the new LCD panels are applied in the successor models.

	12"		15"	
	Current	New	Current	New
LCD Panel (P/N)	96LEDK-C121XG50NB1	96LEDK-C121XG60NB1	96LEDK-C150XG40NG9	96LEDK-C150XG30NG1
Luminance (nit)	600	600	400	300
Viewing Angle (degree)	160/140	178/178	160/140	176/176
Contrast Ratio	700:1	1000:1	700:1	2000:1
Backlight Life (hr)	50,000	50,000	50,000	70,000

	17"	
	Current	New
LCD Panel (P/N)	96LEDK-A170SX35NF1	96LEDK-C170SX25NJ1
Luminance (nit)	350	250
Viewing Angle (degree)	160/140	170/170
Contrast Ratio	800:1	1000:1
Backlight Life (hr)	50,000	50,000

2) More video input ports

Besides traditional analog video input port (VGA), digital video input ports (HDMI/DP) are added to the successor models to connect to more and more applications.

Current



VGA

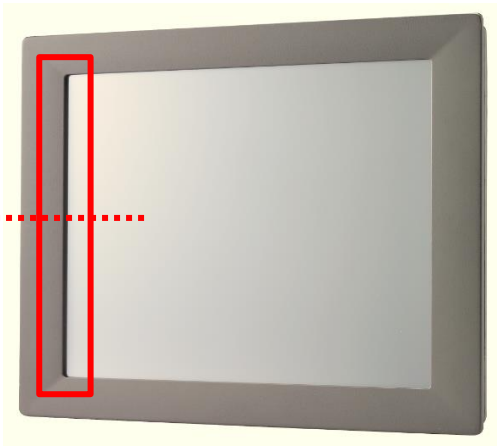
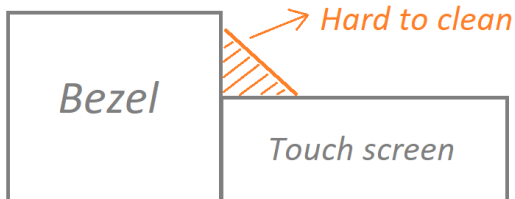
New



VGA/HDMI/DP

3) Elegant true flat outlook

Not only looks better for your facility, true flat front also enables easy cleaning/sanitization.

Current**New**

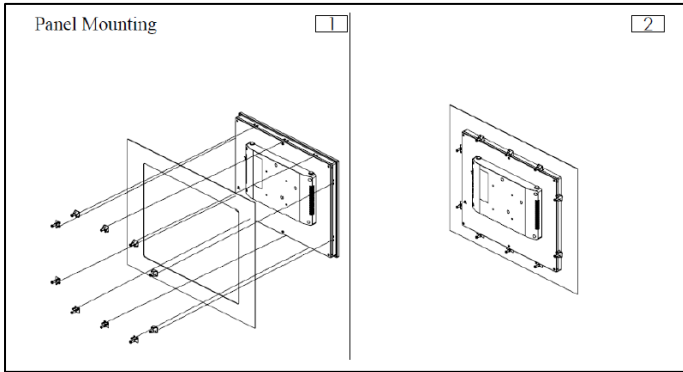
4) Remove RS-232 touch screen interface

USB is commonly used that almost all users are using USB for touch screen interface; RS-232 is thus cancelled.

Current**RS-232 / USB****New****USB**

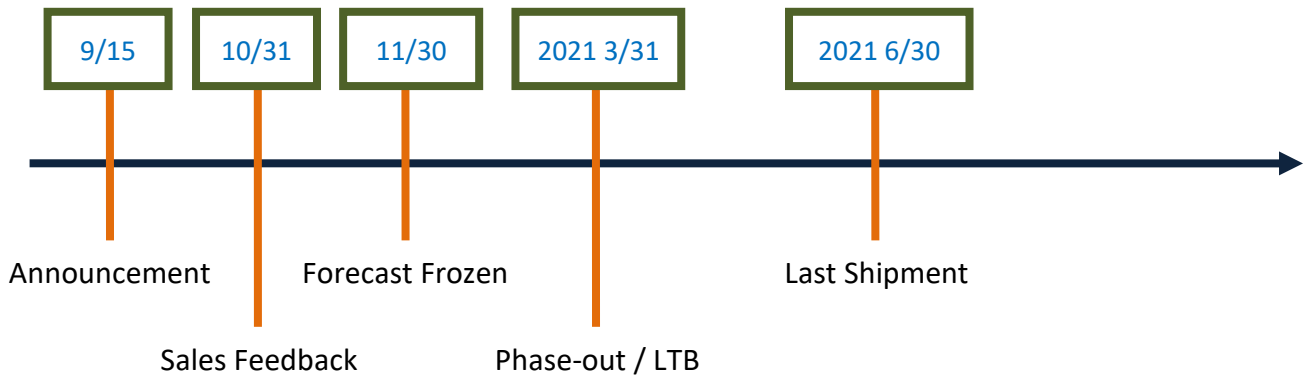
5) Consistent cutout dimensions for smoother product transitioning

Seamlessly transfer to new products. No additional efforts on mechanical part adjustments.



Cutout Dimensions (mm)	
FPM-2120G / FPM-212	303 x 229 mm (11.93 x 9.02 in)
FPM-2150G / FPM-215	374.5 x 298.5 mm (14.74 x 11.75 in)
FPM-2170G / FPM-217	401.3 x 334.8 mm (15.8 x 13.18 in)

Key Milestones / Schedule Dates



Important Date	Description	Date
Announcement	Announcement of product phase-out	2020/9/15
Sales Feedback	Sales feedback if customer has any problem to follow the schedule. It will be treated as special case	2020/10/31
Forecast Frozen	The forecast will be frozen for material preparation	2020/11/30
LTB	Last time buy for customer order. After this date, no more order will be accepted.	2021/3/31
Last Shipment	Acceptable shipment date before LTB. The order with requesting DD after this date will not be accepted.	2021/6/30

Contacts

PM	Giorgio / Giorgio.Wei@advantech.com.tw / VOIP:511 EXT:7612
AE	ASG.ACL.PAE@advantech.com
