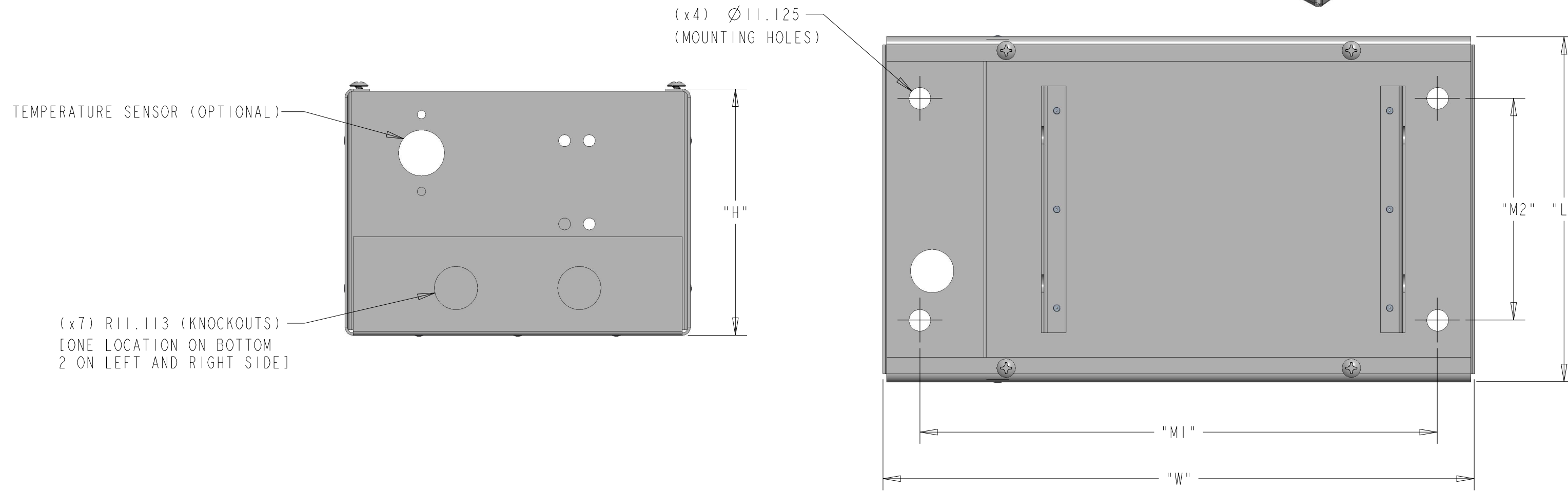
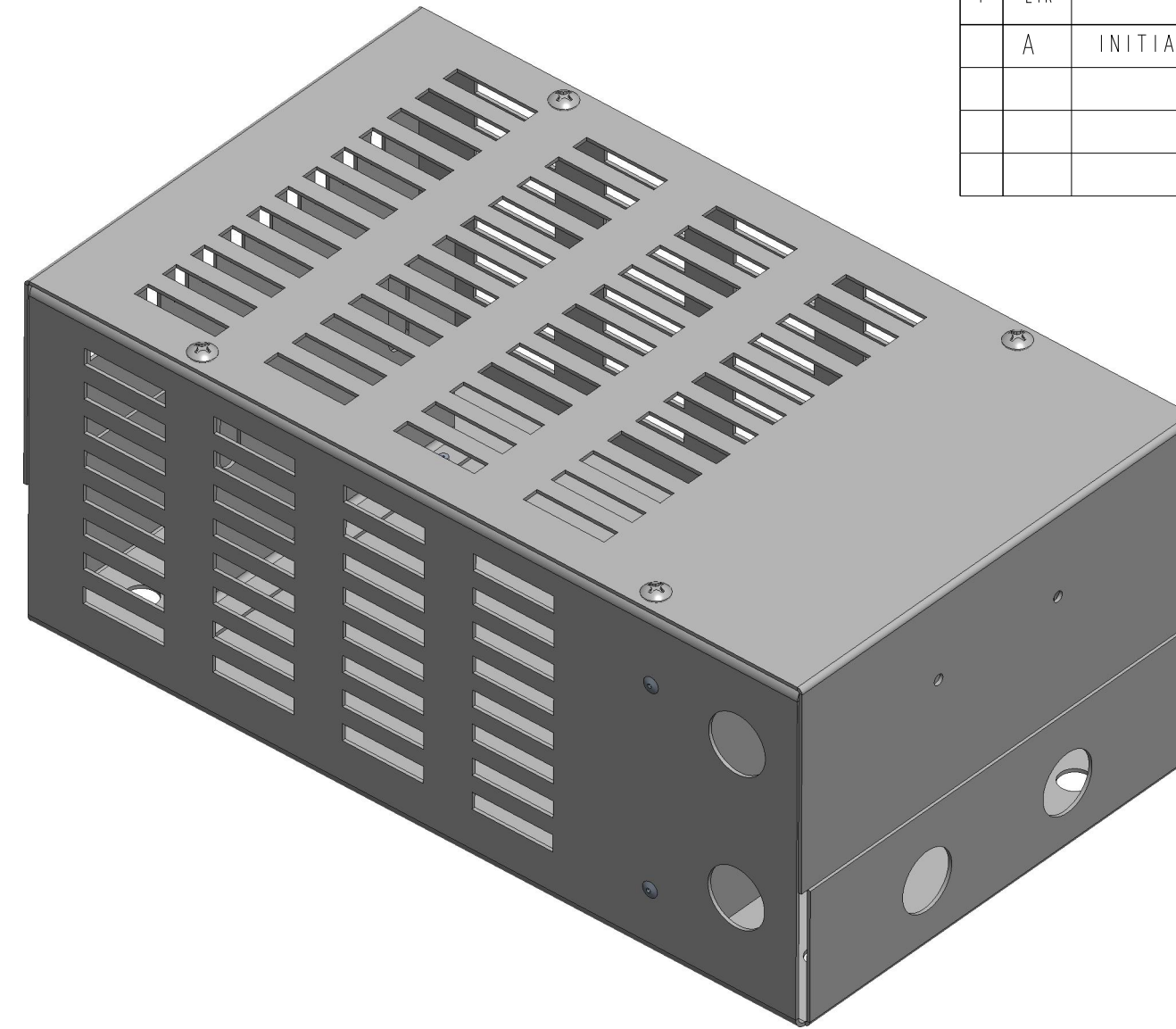
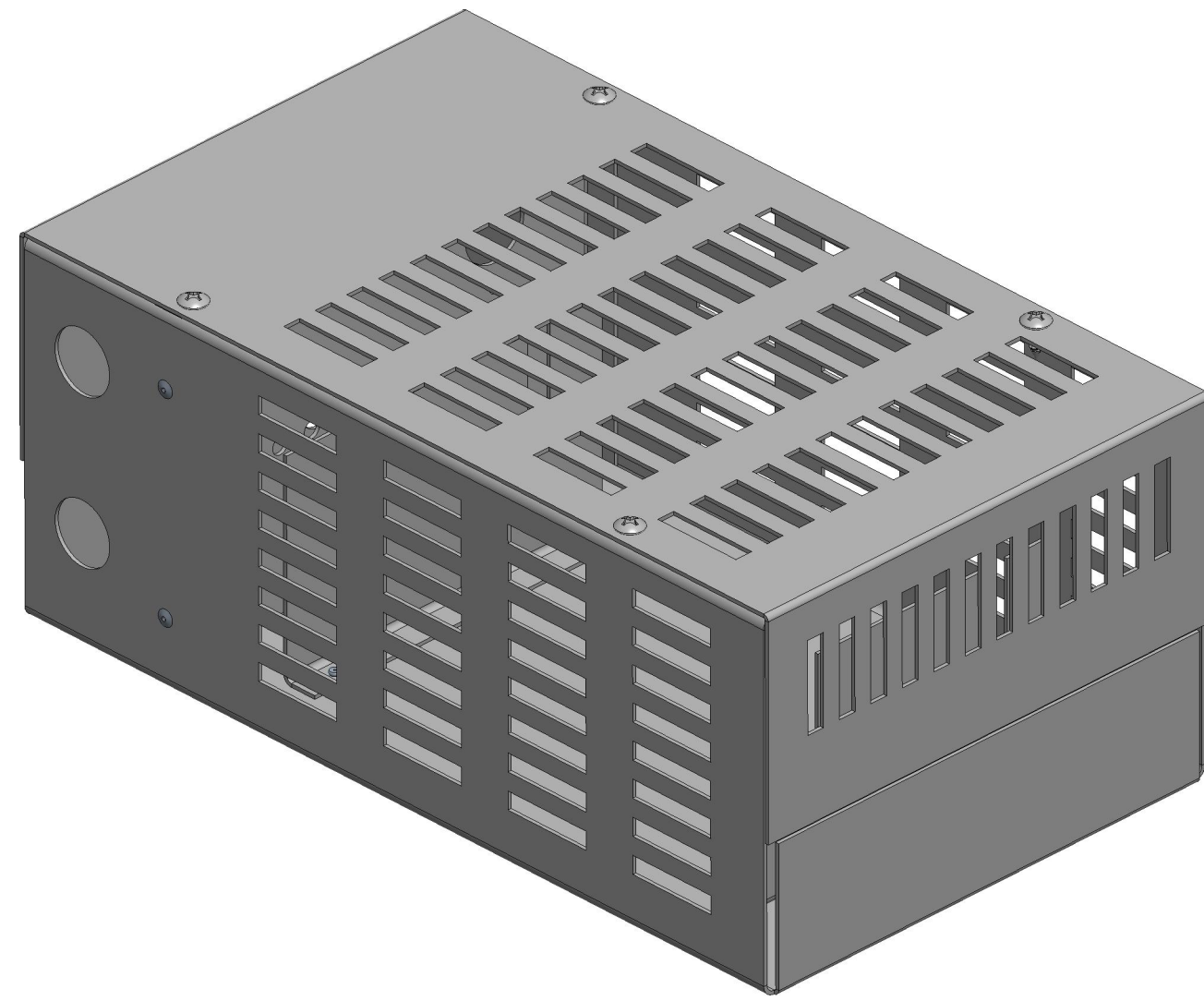


P	LTR	DESCRIPTION	DATE	DWN	APVD
A		INITIAL RELEASE	07OCT2021	KS	AP



PART NUMBER	W (mm)	L (mm)	H (mm)	M1 (mm)	M2 (mm)	TOTAL RESISTANCE	H.P.	DUTY CYCLE	DRIVE VOLTAGE	BRAKING TORQUE
HPBA005FIK5050E	305	178	127	267	114	1500 Ohms ± 10%	0.5	50%	575 V	150%

NOTE:
1. FOR FURTHER TECHNICAL INFORMATION PLEASE SEE THE DATASHEET FOR THE HPBA SERIES

THIS DRAWING IS A CONTROLLED DOCUMENT.		DWN S. KARTHIK 22-09-2021	TE Connectivity	
DIMENSIONS: mm		CHK ALLAN PILE 22-09-2021		
TOLERANCES UNLESS OTHERWISE SPECIFIED:		APVD ALLAN PILE 22-09-2021	NAME BRAKING RESISTOR ASSEMBLY TYPE HPBA SERIES HPBA005FIK5050E	
0 PLC ± 1 PLC ± 2 PLC ±0.50 3 PLC ±0.500 4 PLC ± ANGLES ± FINISH -		PRODUCT SPEC -	RESTRICTED TO -	
MATERIAL		APPLICATION SPEC -	SIZE A2	CAGE CODE 00779
		WEIGHT -	DRAWING NO C-5-2176470-1	
		CUSTOMER DRAWING	SCALE 1:2	SHEET 1 OF 2
			REV A	

4

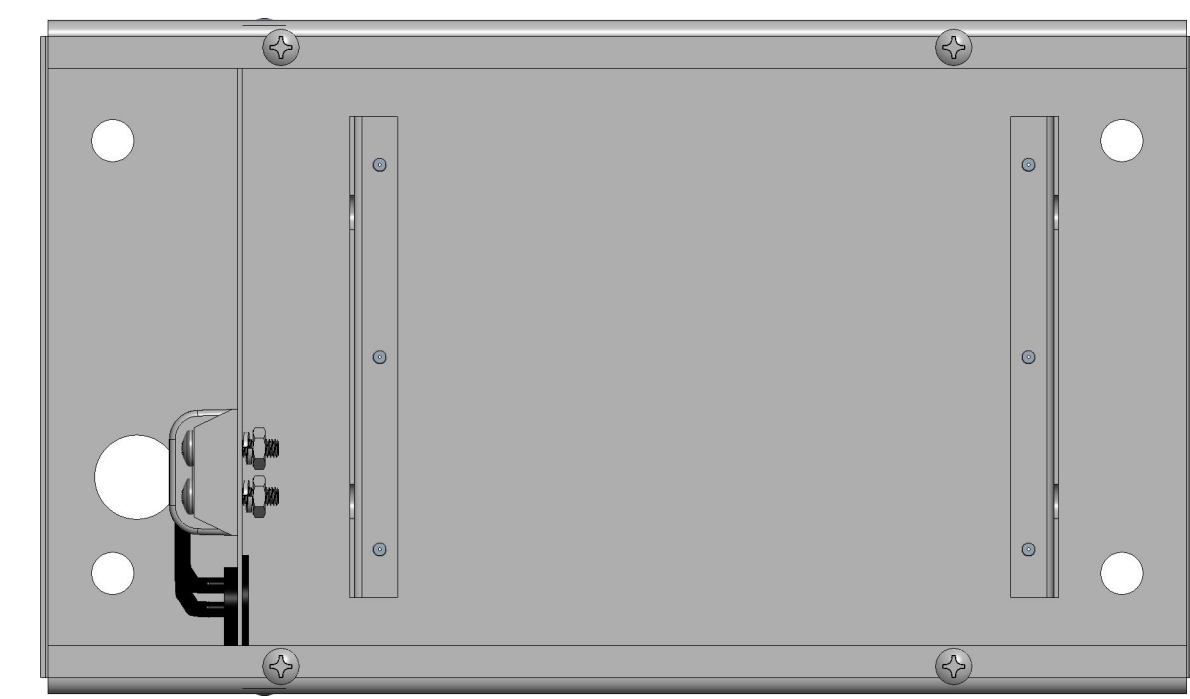
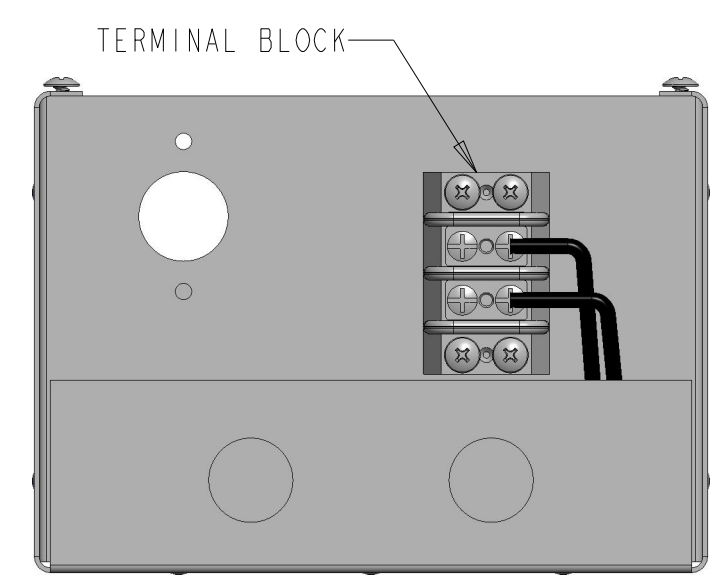
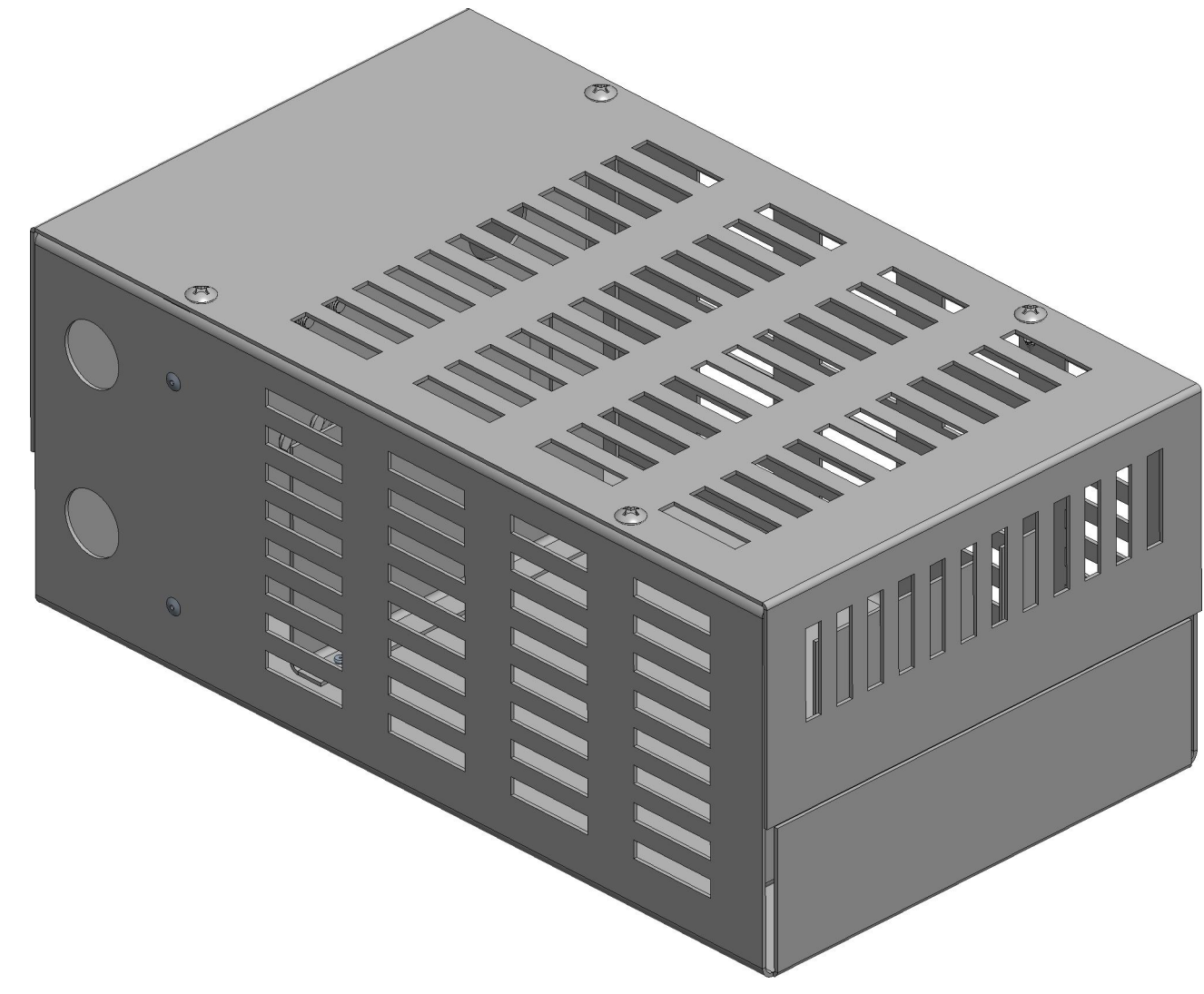
3


2

1

© 2021 TE Connectivity. All Rights Reserved.

REVISIONS				
P	LTR	DESCRIPTION	DATE	APVD
		SEE SHEET 1		



THIS DRAWING IS A CONTROLLED DOCUMENT.		DWN S. KARTHIK 22-09-2021	 TE Connectivity																						
DIMENSIONS: mm		CHK ALLAN PILE 22-09-2021																							
TOLERANCES UNLESS OTHERWISE SPECIFIED:		APVD ALLAN PILE 22-09-2021	NAME BRAKING RESISTOR ASSEMBLY TYPE HPBA SERIES HPBA005FIK5050E																						
<table border="0"> <tr> <td>0 PLC</td> <td>±</td> <td></td> </tr> <tr> <td>1 PLC</td> <td>±</td> <td></td> </tr> <tr> <td>2 PLC</td> <td>±0.50</td> <td></td> </tr> <tr> <td>3 PLC</td> <td>±0.500</td> <td></td> </tr> <tr> <td>4 PLC</td> <td>±</td> <td></td> </tr> <tr> <td>ANGLES</td> <td>±</td> <td></td> </tr> <tr> <td>FINISH</td> <td></td> <td></td> </tr> </table>		0 PLC	±		1 PLC	±		2 PLC	±0.50		3 PLC	±0.500		4 PLC	±		ANGLES	±		FINISH			PRODUCT SPEC -	SIZE A2	CAGE CODE 00779
0 PLC	±																								
1 PLC	±																								
2 PLC	±0.50																								
3 PLC	±0.500																								
4 PLC	±																								
ANGLES	±																								
FINISH																									
MATERIAL -		APPLICATION SPEC -	DRAWING NO C-5-2176470-1	RESTRICTED TO -																					
		WEIGHT -	SCALE 1:2 SHEET 2 OF 2 REV A																						
		CUSTOMER DRAWING																							