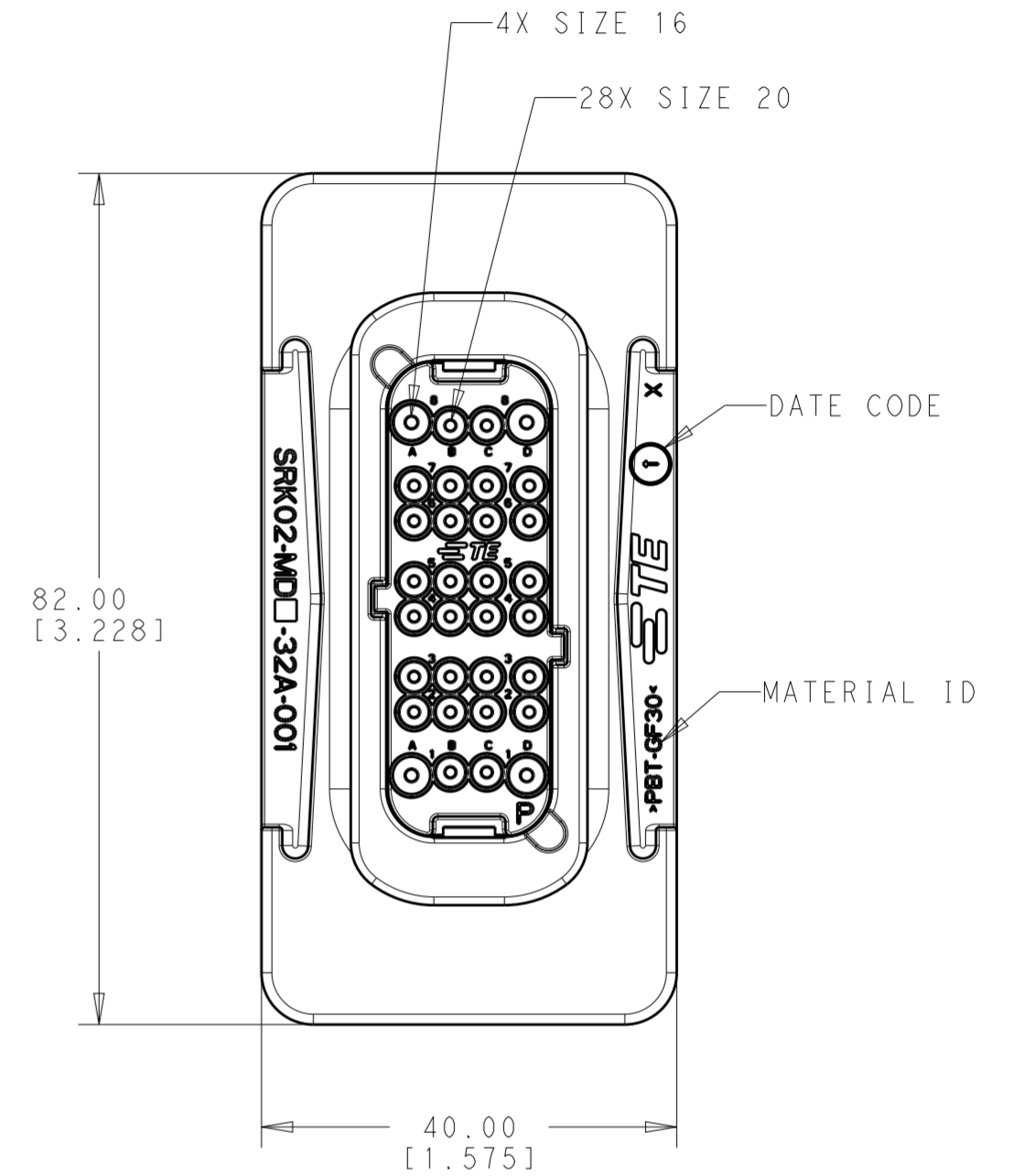
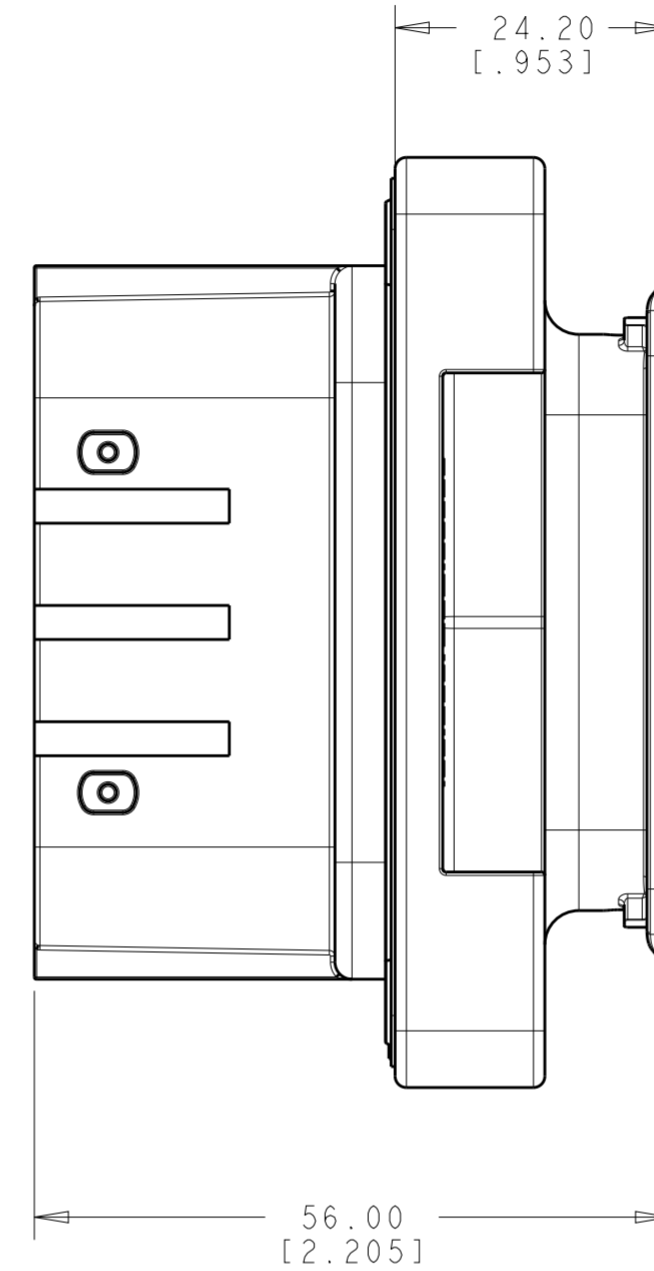
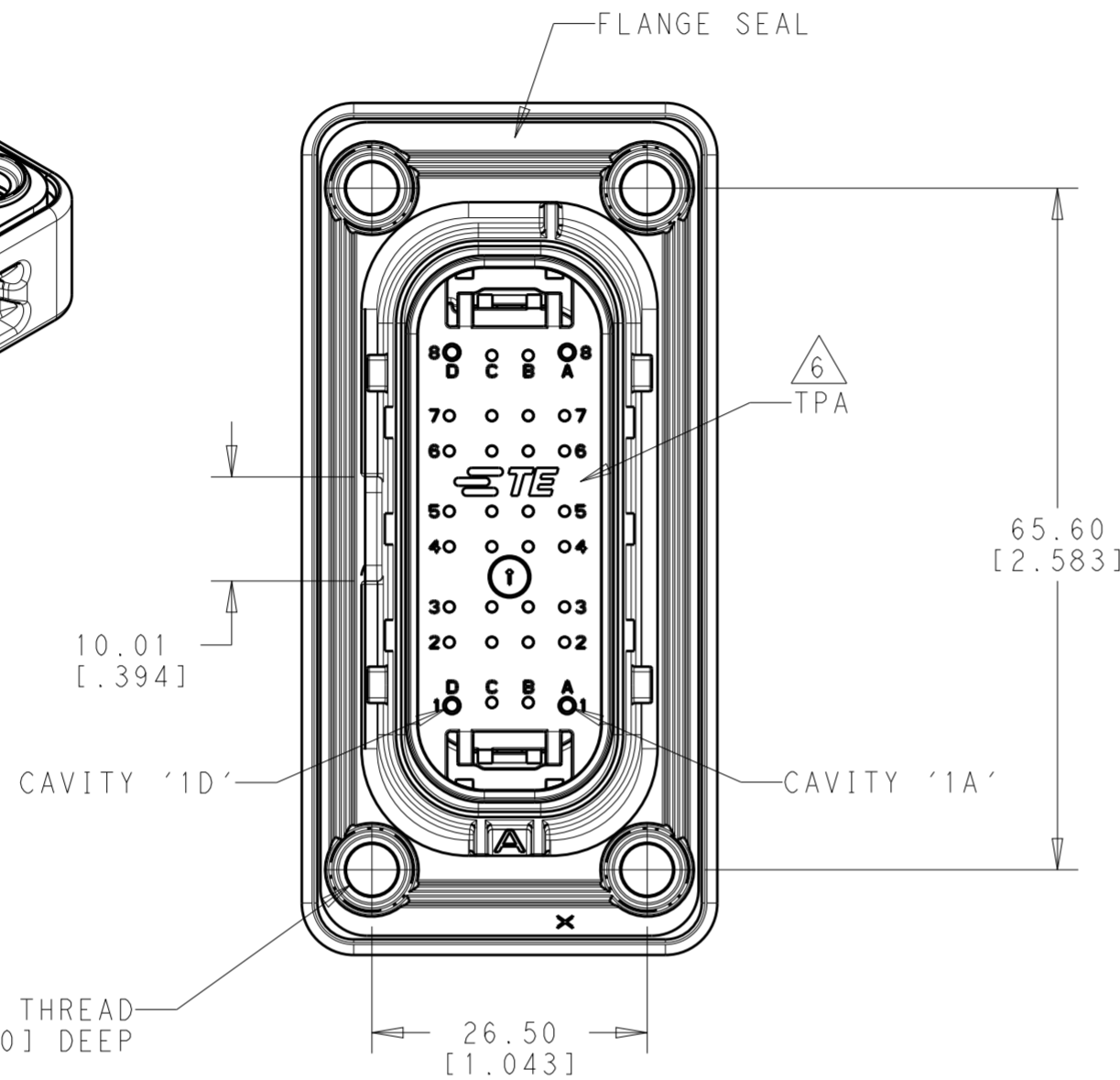
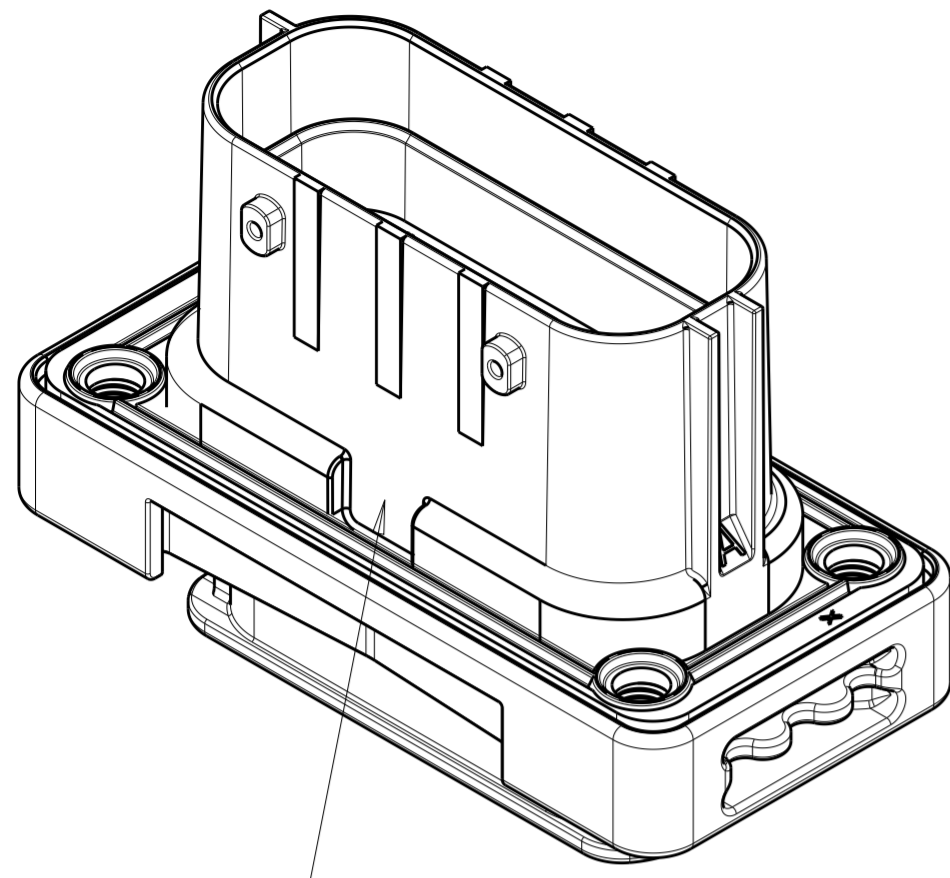
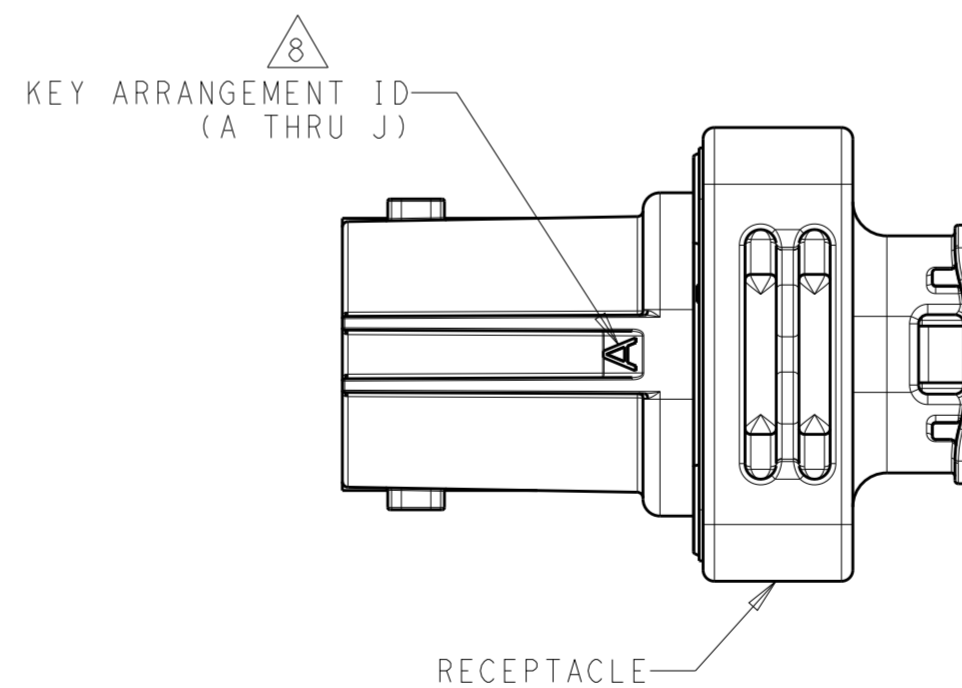


REVISIONS				
P	LTR	DESCRIPTION	DATE	APVD
A		INITIAL RELEASE	25JAN2016	RL DM
A1		REVISED PER ECO-16-006701	29APR2016	RL DM



- 8 SEE SHEET 2 FOR KEY ARRANGEMENTS.
- 7. SEE SHEET 3 FOR RECOMMENDED PANEL CUT-OUTS.
- 6 TERMINAL POSITION ASSURANCE (TPA) IS SHIPPED INSTALLED IN PRE-MOUNTED POSITION. USE HOOK STYLE TOOL, SUCH AS DT-RT1, TO REMOVE TPA.
- 5. CAVITIES 1A, 1D, 8A, 8D ARE SIZE 16. REMAINING CAVITIES ARE SIZE 20.
- 4 RECOMMENDED SCREW: M5 X 0.8 TORQUE: 2.26-2.83 NM [20-25 IN-LB].
- 3. THE RECEPTACLE MATES WITH SRK06-MDX-32A-001-XXXX PLUG. (X = A THRU J, XXXX = ALL MODIFICATIONS)
- 2 MATERIAL:
 RECEPTACLE, TPA, CAP: PBT GF30 (BLACK)
 FLANGE SEAL: VMQ (GREEN)
 GROMMET: VMQ (RED-ORANGE)
 THREADED INSERT: BRASS
- 1 DIMENSIONAL TOLERANCES:
 PART: ±0.64 [.025]
 PANEL CUTOUT: ±0.25 [.010]



TE INTERNAL PN	DEUTSCH PN
SRK02-MDA-32A-001	SRK02-MDA-32A-001
SRK02-MDB-32A-001	SRK02-MDB-32A-001
SRK02-MDC-32A-001	SRK02-MDC-32A-001
SRK02-MDD-32A-001	SRK02-MDD-32A-001
SRK02-MDE-32A-001	SRK02-MDE-32A-001
SRK02-MDF-32A-001	SRK02-MDF-32A-001
SRK02-MDG-32A-001	SRK02-MDG-32A-001
SRK02-MDH-32A-001	SRK02-MDH-32A-001
SRK02-MDI-32A-001	SRK02-MDI-32A-001
SRK02-MDJ-32A-001	SRK02-MDJ-32A-001

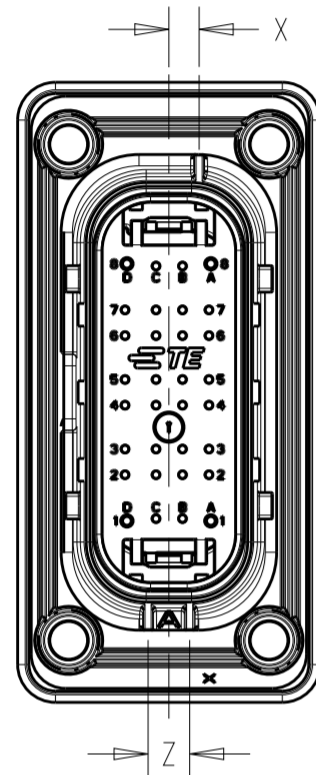
CONTACT SIZE	MIN INSUL OD	MAX INSUL OD	WIRE RANGE REF ONLY
16	1.55 [.061]	3.05 [.120]	2.0-0.5MM ² 14-20 AWG
20	1.55 [.061]	2.41 [.095]	1.0-0.5MM ² 16-20 AWG

NOTES: UNLESS OTHERWISE SPECIFIED

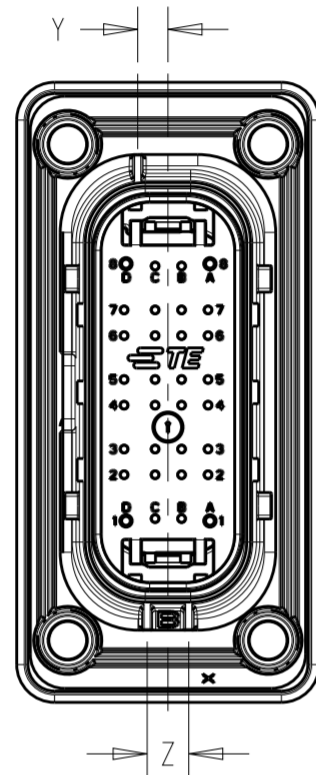
THIS DRAWING IS A CONTROLLED DOCUMENT.		DWN R. LEFFERTS 25JAN2016	TE Connectivity	
DIMENSIONS: mm [INCHES]		CHK D. WHITACRE 27JAN2016		
TOLERANCES UNLESS OTHERWISE SPECIFIED:		APVD D. MEYER 27JAN2016	NAME RECEPTACLE, FLANGE 32-PIN (MEDIUM) STRIKE SERIES	
0 PLC ±		PRODUCT SPEC	SIZE A2	
1 PLC ±		APPLICATION SPEC	CAGE CODE	
2 PLC ±		0425-015-0000	DRAWING NO	
3 PLC ±		WEIGHT 95.9g	RESTRICTED TO	
4 PLC ±		CUSTOMER DRAWING	G-SRK02-MDX-32A-001	
ANGLES ±		SCALE 3:2	SHEET 1 OF 3	
FINISH		REV A1		

REVISIONS				
P	LTR	DESCRIPTION	DATE	APVD
-		SEE SHEET 1	-	-

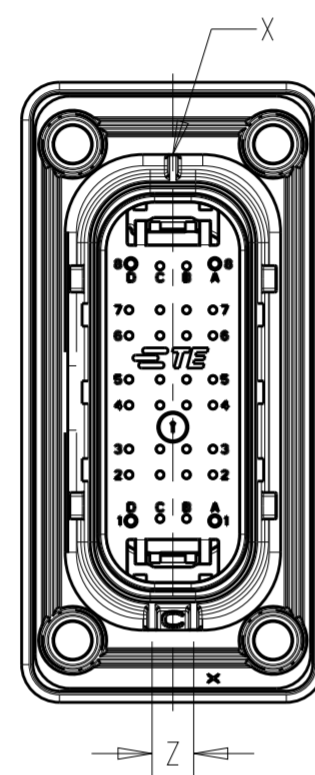
SRK02-MDA-32A-001



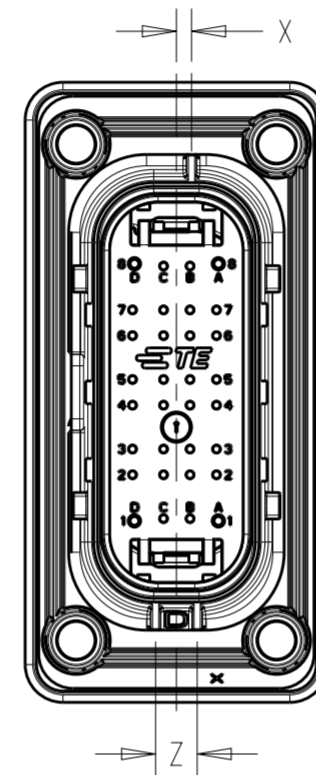
SRK02-MDB-32A-001



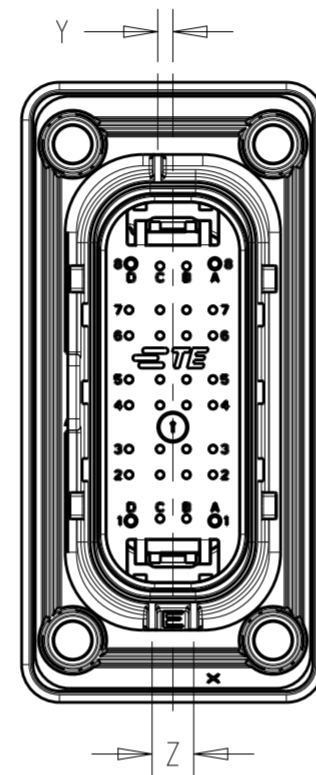
SRK02-MDC-32A-001



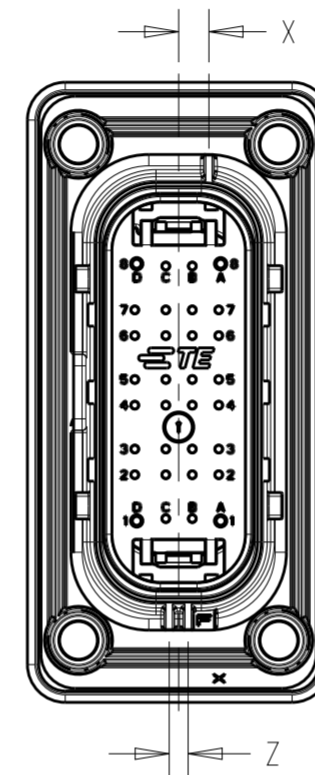
SRK02-MDD-32A-001



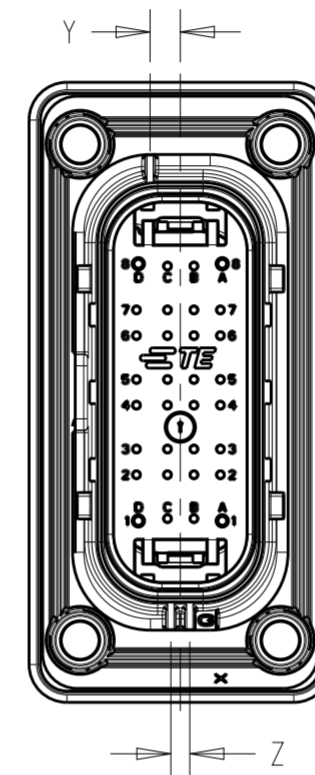
SRK02-MDE-32A-001



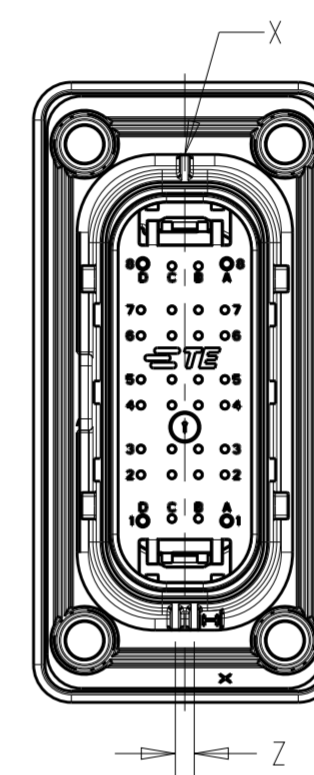
SRK02-MDF-32A-001



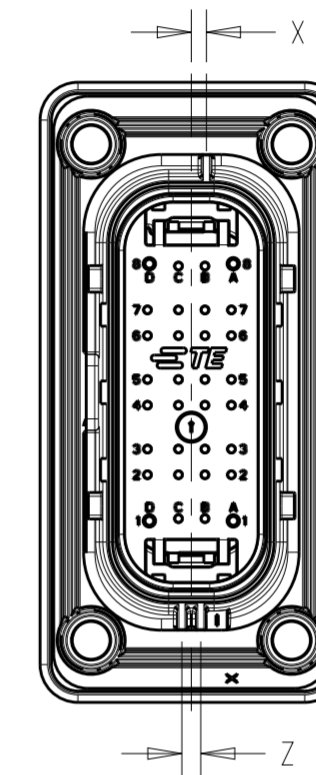
SRK02-MDG-32A-001



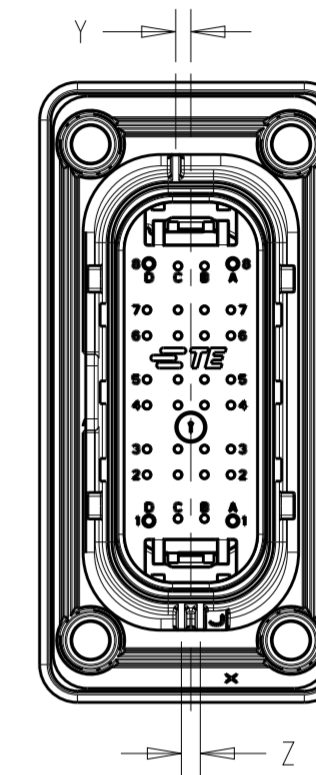
SRK02-MDH-32A-001



SRK02-MDI-32A-001



SRK02-MDJ-32A-001



KEY ARRANGEMENTS:

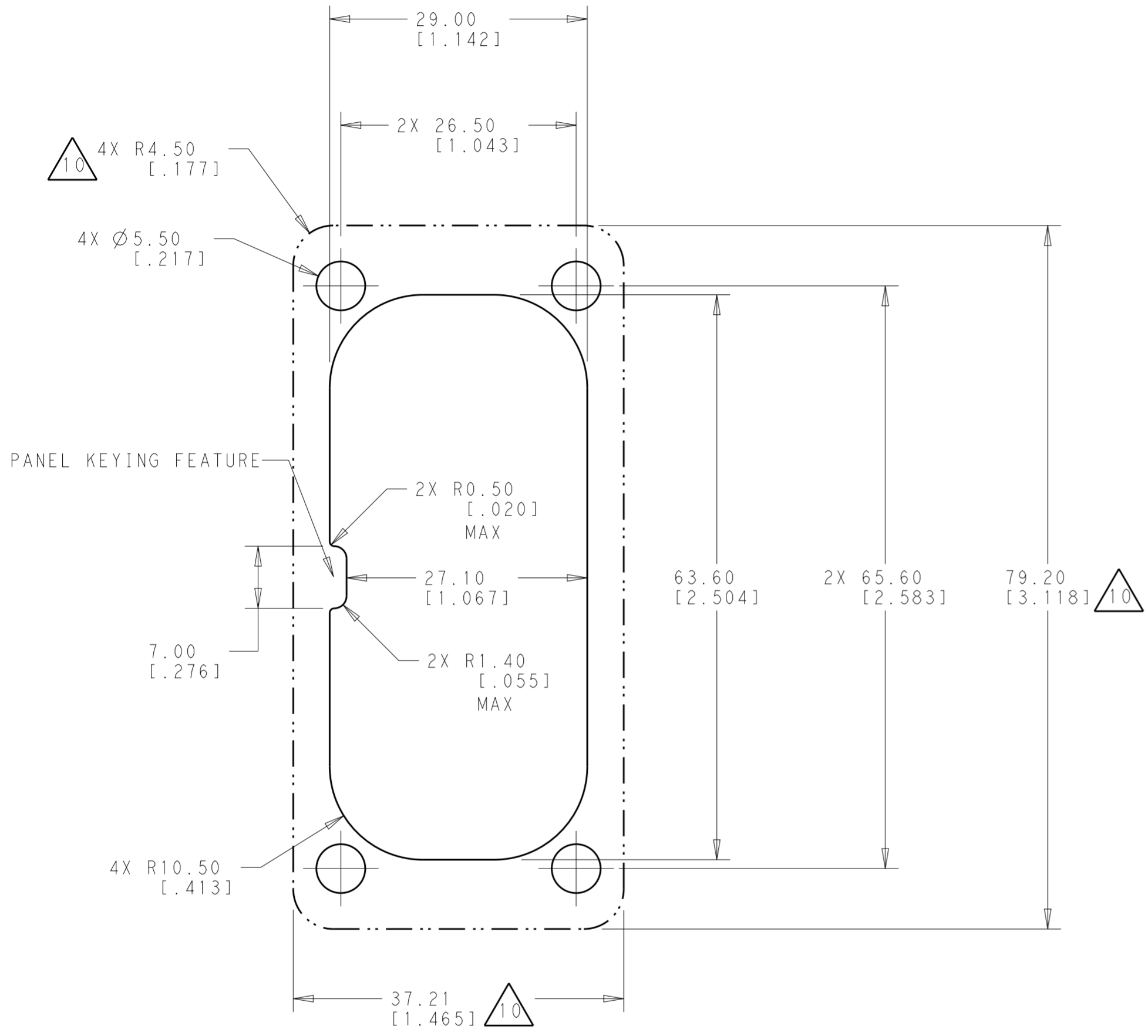
ARRANGEMENT	X	Y	Z
A	4.00 [.160]	-	5.50 [.220]
B	-	4.00 [.160]	5.50 [.220]
C	0*	-	5.50 [.220]
D	2.00 [.080]	-	5.50 [.220]
E	-	2.00 [.080]	5.50 [.220]
F	4.00 [.160]	-	2.50 [.100]
G	-	4.00 [.160]	2.50 [.100]
H	0*	-	2.50 [.100]
I	2.00 [.080]	-	2.50 [.100]
J	-	2.00 [.080]	2.50 [.100]

* A ZERO DIMENSION INDICATES A SINGLE KEY IN THE CENTER

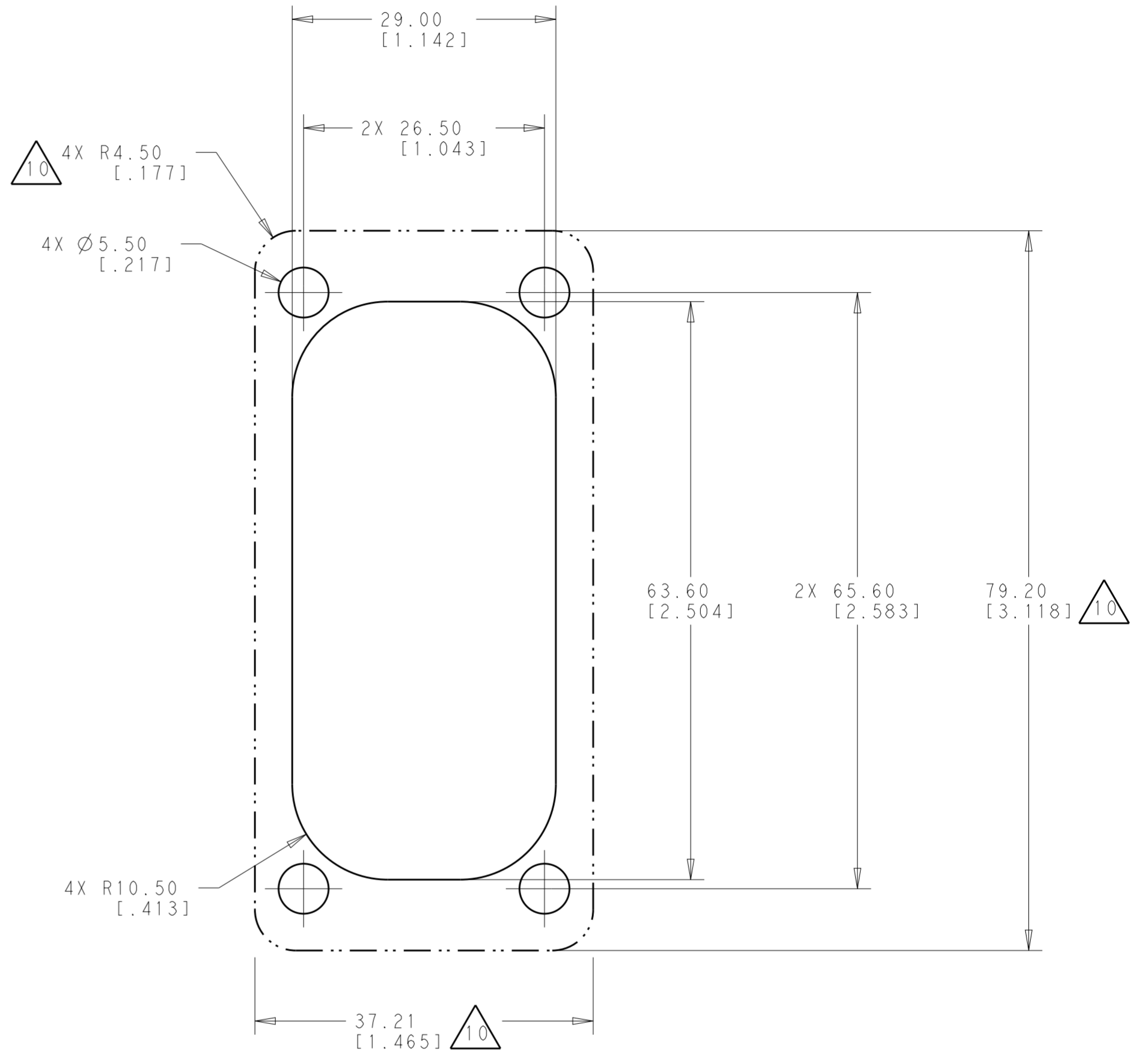
THIS DRAWING IS A CONTROLLED DOCUMENT.		DWN R. LEFFERTS 25 JAN 2016	TE Connectivity	
DIMENSIONS: mm [INCHES]		CHK D. WHITACRE 27 JAN 2016		
TOLERANCES UNLESS OTHERWISE SPECIFIED:		APVD D. MEYER 27 JAN 2016	NAME RECEPTACLE, FLANGE 32-PIN (MEDIUM) STRIKE SERIES	
0 PLC ± 1 PLC ± 2 PLC ± 3 PLC ± 4 PLC ± ANGLES ± FINISH ±		PRODUCT SPEC	SIZE A2	CAGE CODE C-SRK02-MDX-32A-001
MATERIAL		APPLICATION SPEC 0425-015-0000	DRAWING NO	RESTRICTED TO
		WEIGHT 95.9g	SCALE 1:1	SHEET 2 OF 3
		CUSTOMER DRAWING	REV A1	

THIS DRAWING IS UNPUBLISHED. RELEASED FOR PUBLICATION 2016
 © COPYRIGHT 2016 BY TE CONNECTIVITY ALL RIGHTS RESERVED.

REVISIONS				
P	LTR	DESCRIPTION	DATE	APVD
-	-	SEE SHEET 1	-	-



PANEL CUTOUT WITH
PANEL KEYING FEATURE



PANEL CUTOUT WITHOUT
PANEL KEYING FEATURE

10 RECOMMENDED PANEL SURFACE FINISH: 32 RMS [0.80µm] OR BETTER WITHIN SPECIFIED SEALING REGION
 9 RECOMMENDED PANEL THICKNESS: 1.00-7.00 [0.040-.280]
 NOTES: UNLESS OTHERWISE SPECIFIED

THIS DRAWING IS A CONTROLLED DOCUMENT.		DWN R. LEFFERTS 25 JAN 2016	TE Connectivity	
DIMENSIONS: mm [INCHES]		CHK D. WHITACRE 27 JAN 2016		
TOLERANCES UNLESS OTHERWISE SPECIFIED:		APVD D. MEYER 27 JAN 2016	NAME RECEPTACLE, FLANGE 32-PIN (MEDIUM) STRIKE SERIES	
0 PLC ± 1 PLC ± 2 PLC ± 3 PLC ± 4 PLC ± ANGLES ± FINISH ±		PRODUCT SPEC	DRAWING NO C-SRK02-MDX-32A-001	
MATERIAL		APPLICATION SPEC 0425-015-0000	SIZE A2	RESTRICTED TO
2		WEIGHT 95.9g	SCALE 2:1	SHEET 3 OF 3
		CUSTOMER DRAWING	REV A1	