

1

2

3

4

CHANGES REV01 to REV02

- 1) MAC EEPROM Address patch fixed on PCB
- 2) lib components update

A

A

B

B


C

C

D

D

Assembly variant	72111-A
Created by	VY
Modified by	VY
Modified at	2019-07-08
SVN Version	8496

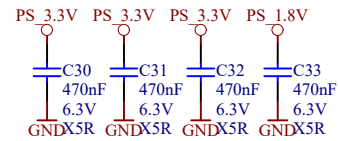
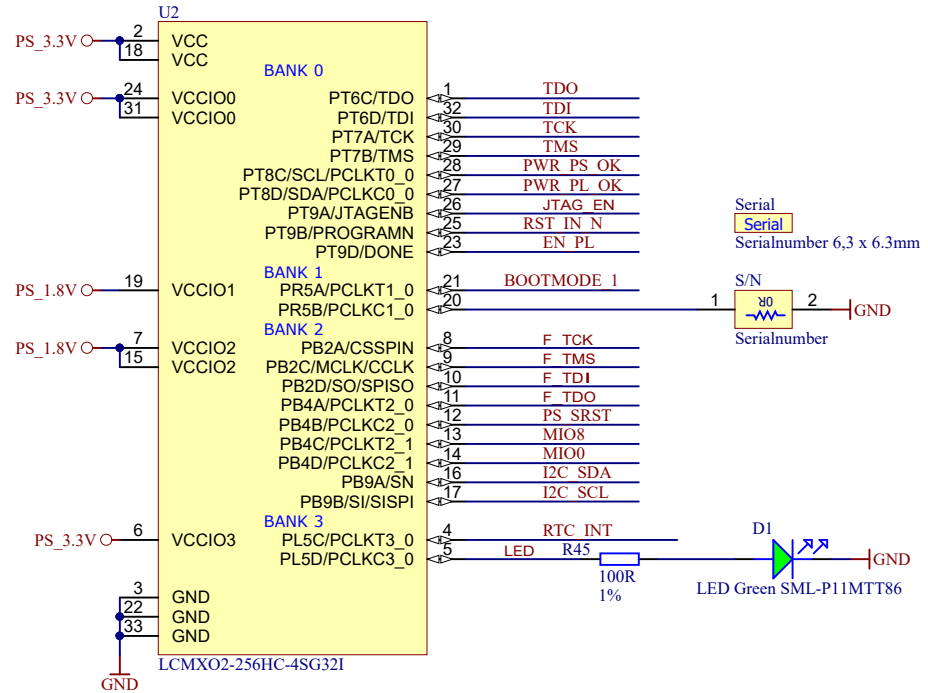
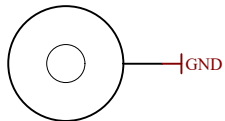
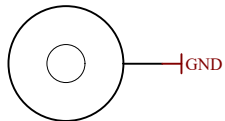
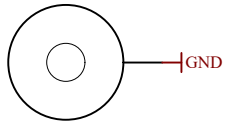
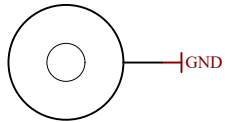
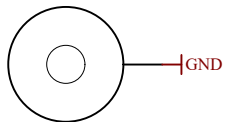
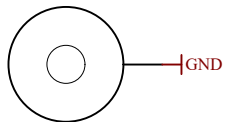
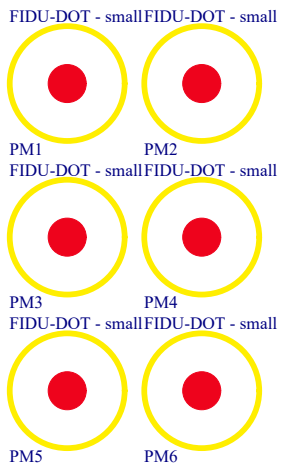
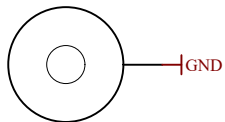
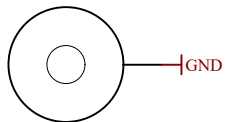
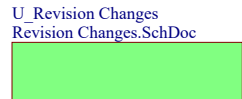
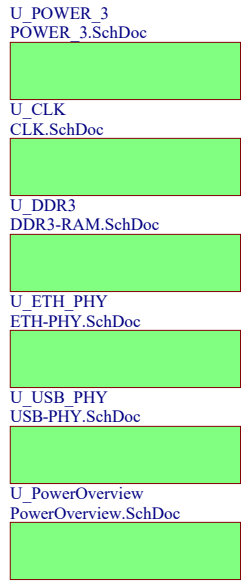
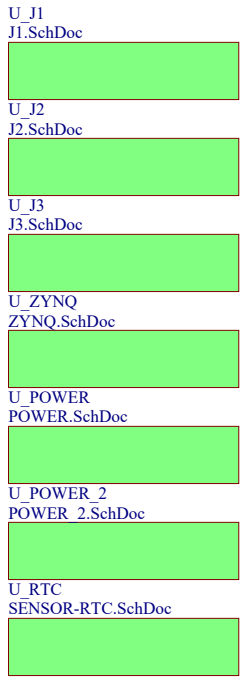
	Title: TE0745		
	A4	Number: 1 72111-A	Rev. 02
	Date: 2016-04-28	Copyright: Trenz Electronic GmbH / TT	Page1 of 25
	Filename: Revision Changes.SchDoc		

1

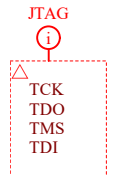
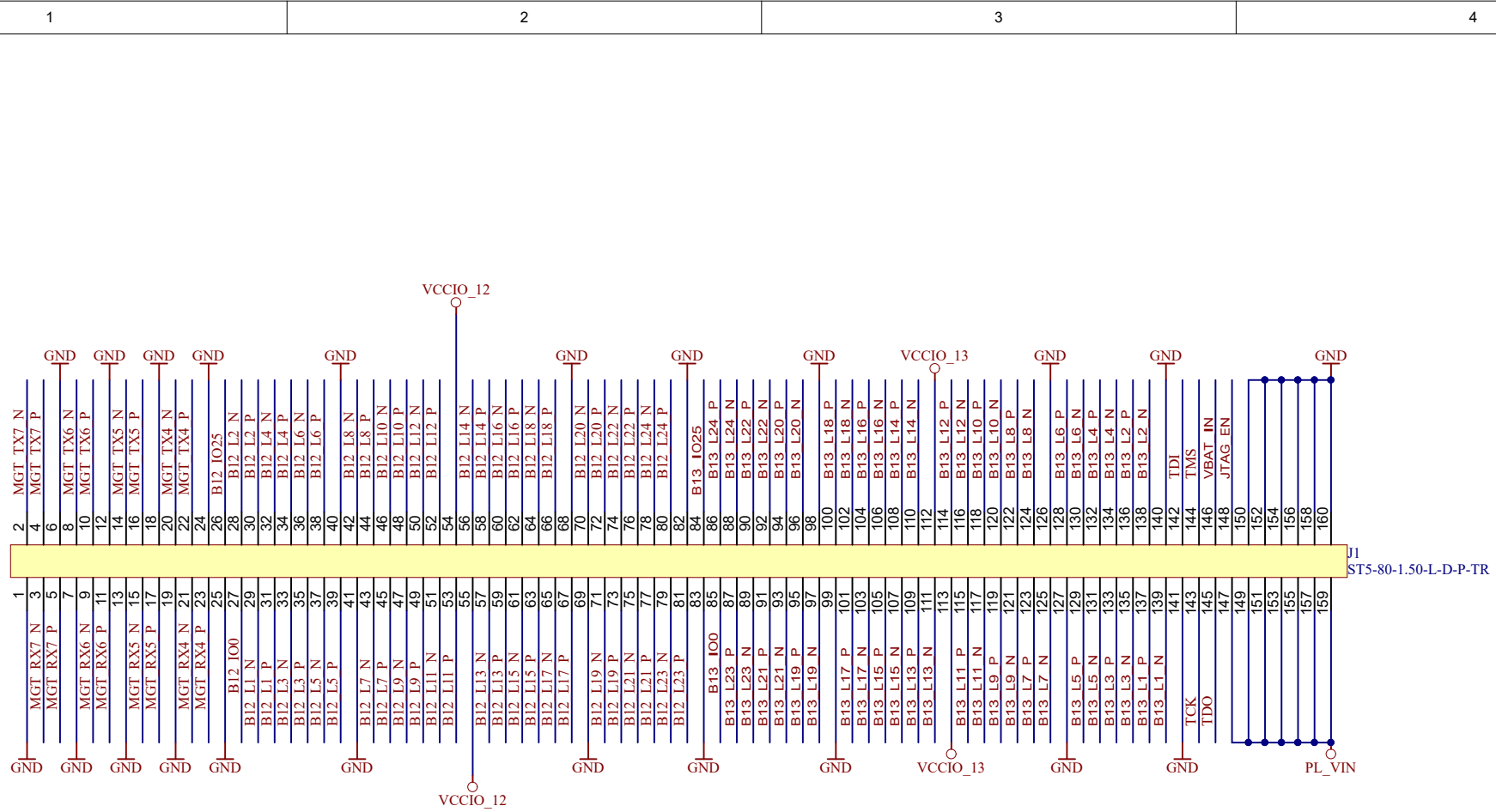
2


3

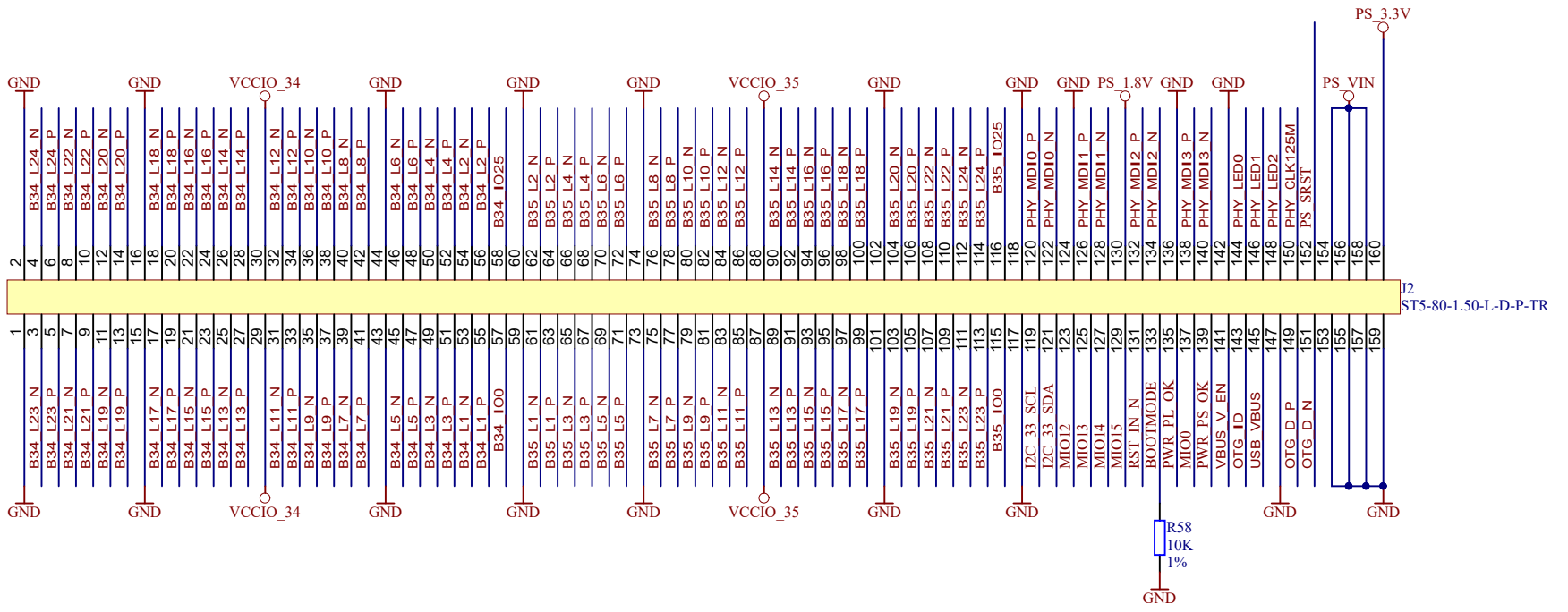
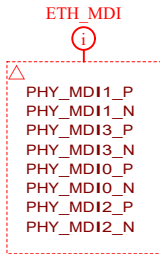

4



	Title: TE0745	
	A4	Number: 2 7211-A
	Date: 2016-04-28	Rev. 02
	Copyright: Trenz Electronic GmbH / TT	Page2 of 25
Filename: TE0745.SchDoc		

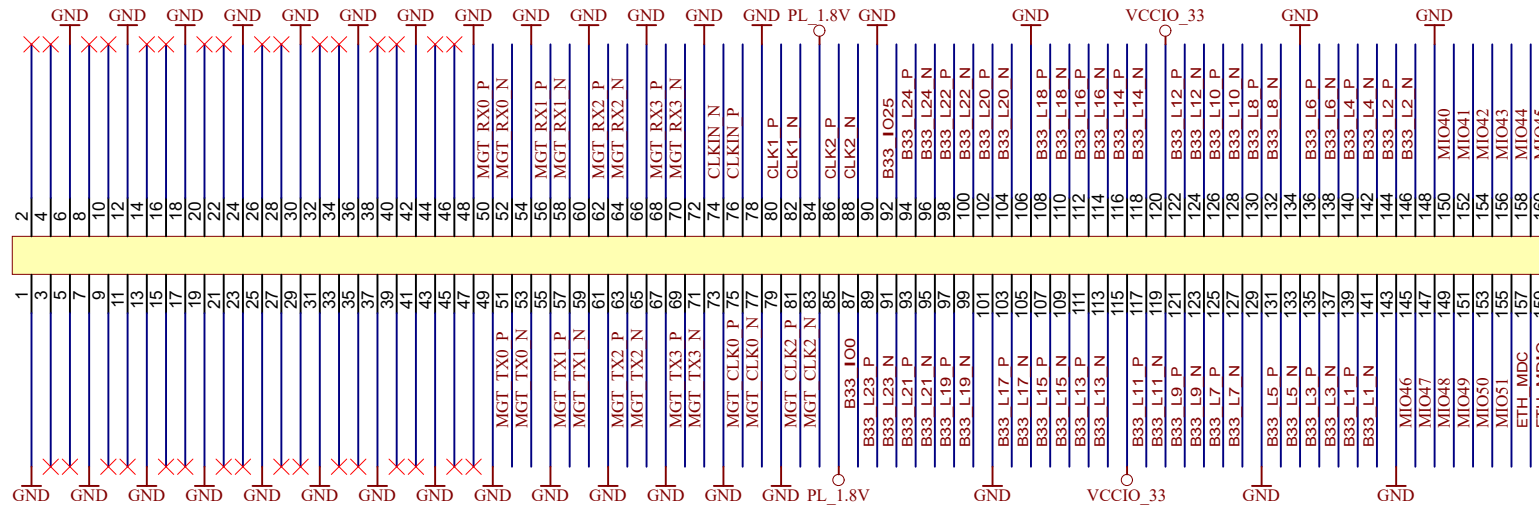


			Title: TE0745 - B2B connectors J1	
			A4	Number: 3 72I11-A
Date: 2016-04-28		Copyright: Trenz Electronic GmbH / TT		Page3 of 25
Filename: J1.SchDoc				

Title: TE0745 - B2B connectors J2		
A4	Number: 4 72111-A	Rev. 02
Date: 2016-04-28	Copyright: Trenz Electronic GmbH / TT	Page 4 of 25
Filename: J2.SchDoc		

RESERVED for additional 8 GTX lanes



J3  
ST5-80-1.50-L-D-P-TR



Title: TE0745 - B2B connectors J3		
A4	Number: 5 72111-A	Rev. 02
Date: 2016-04-28	Copyright: Trenz Electronic GmbH / TT	Page5 of 25
Filename: J3.SchDoc		

1

2

3

4

U\_B12  
B12.SchDoc



U\_B500  
MIO\_B500.SchDoc



U\_B13  
B13.SchDoc



U\_PS\_DDR  
PS-DDR.SchDoc



U\_B33  
B33.SchDoc



U\_MISC  
ZYNQ\_MISC.SchDoc



U\_B34  
B34.SchDoc



U\_ZYNQ\_POWER  
ZYNQ\_POWER.SchDoc



U\_B35  
B35.SchDoc



U\_FPGA\_MGT  
FPGA\_MGT.SchDoc



A

A

B

B

C

C

D


D

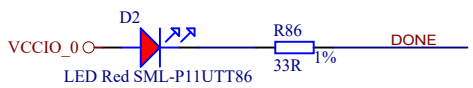
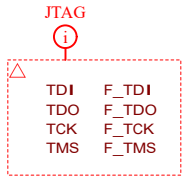
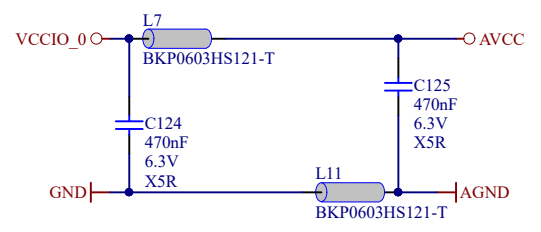
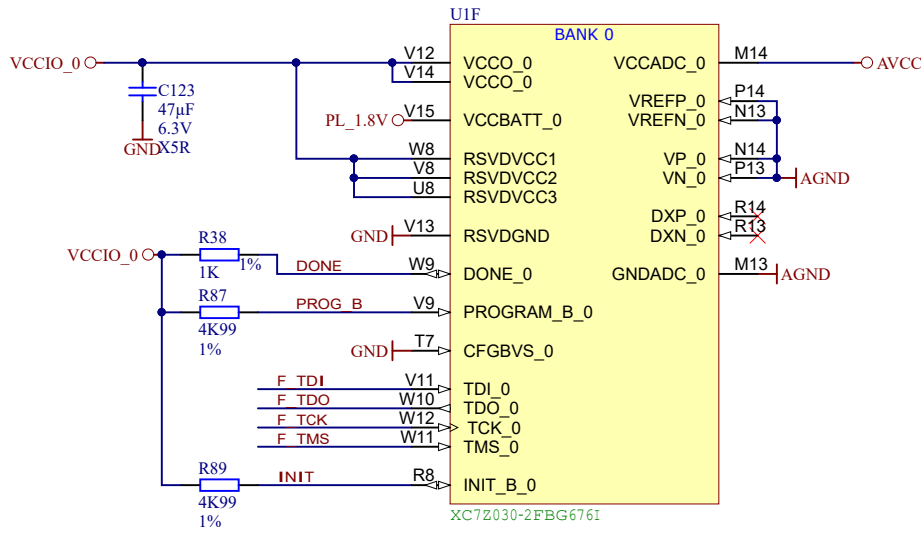
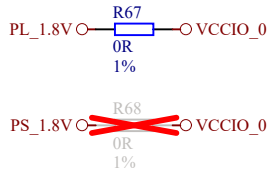
1

2

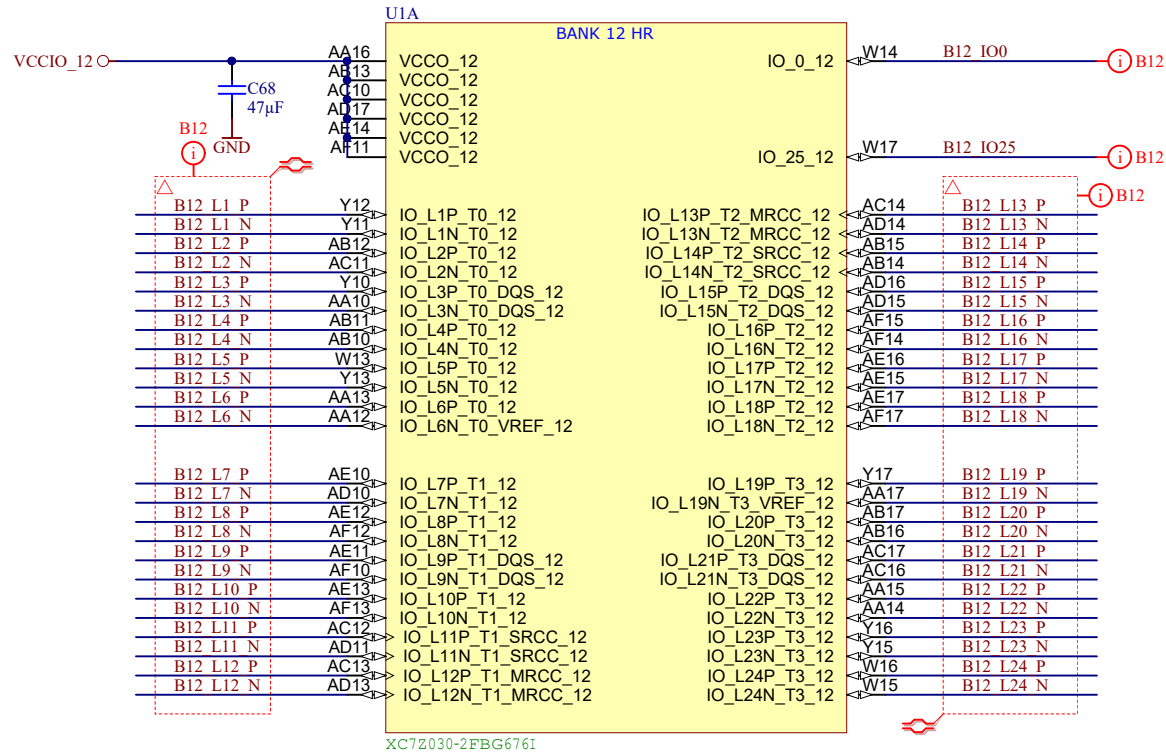
3

4

			Title: TE0745 - Zynq		
			A4	Number: 6 72I11-A	Rev. 02
Date: 2016-04-28		Copyright: Trenz Electronic GmbH / TT		Page6 of 25	
Filename: ZYNQ.SchDoc					

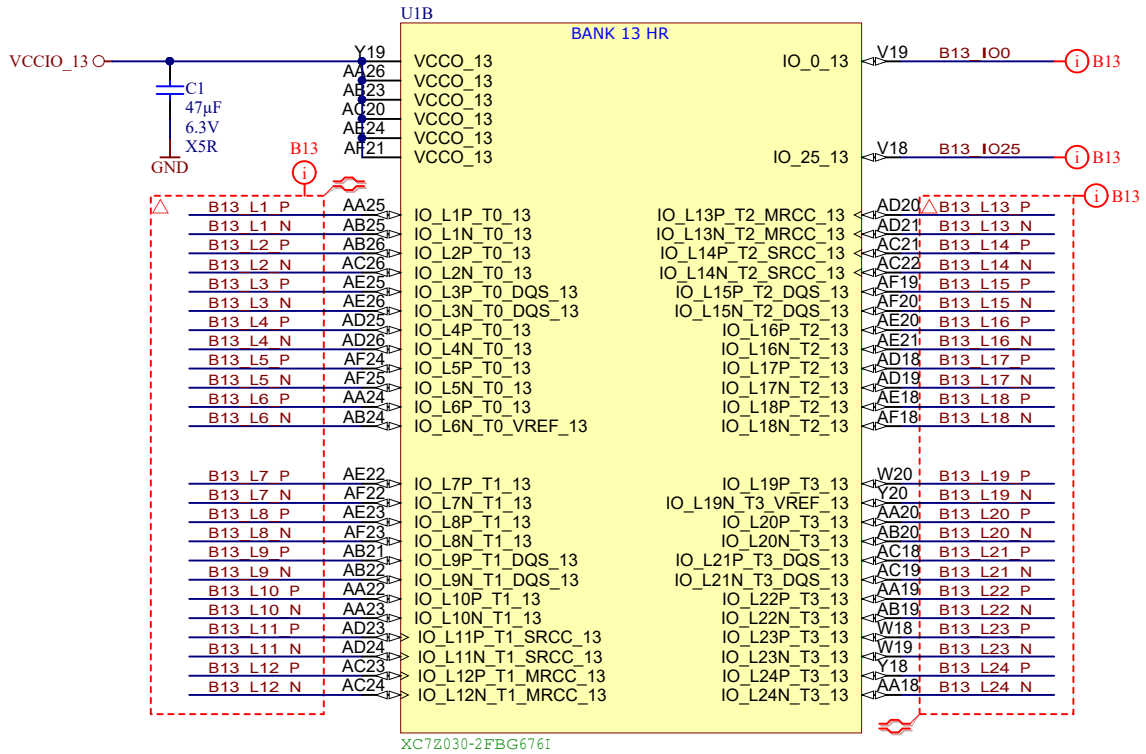


Title: TE0745 - Zynq_MISC		
A4	Number: 7 72111-A	Rev. 02
Date: 2016-04-28	Copyright: Trenz Electronic GmbH / TT	Page 7 of 25
Filename: ZYNQ_MISC.SchDoc		

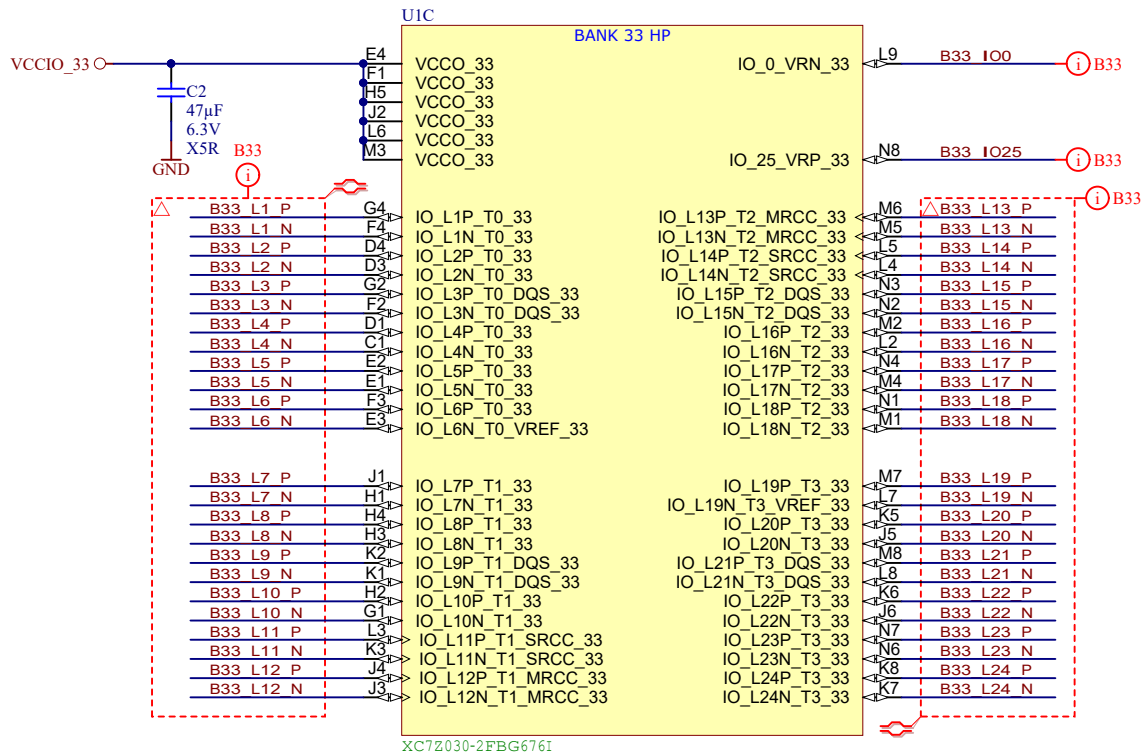


Title: TE0745 - Zynq_B12		
A4	Number: 8 72I11-A	Rev. 02
Date: 2016-04-28	Copyright: Trenz Electronic GmbH / TT	Page 8 of 25
Filename: B12.SchDoc		

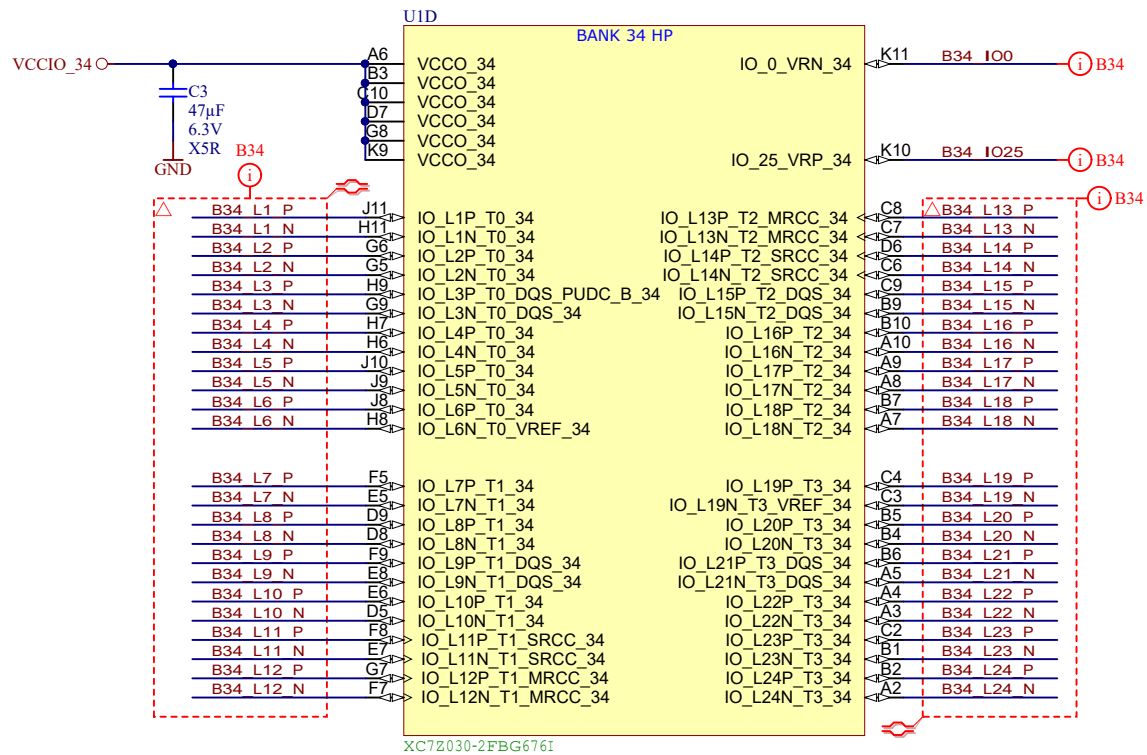




Title: TE0745 - Zynq_B13		
A4	Number: 9 72I11-A	Rev. 02
Date: 2016-04-28	Copyright: Trenz Electronic GmbH / TT	Page9 of 25
Filename: B13.SchDoc		



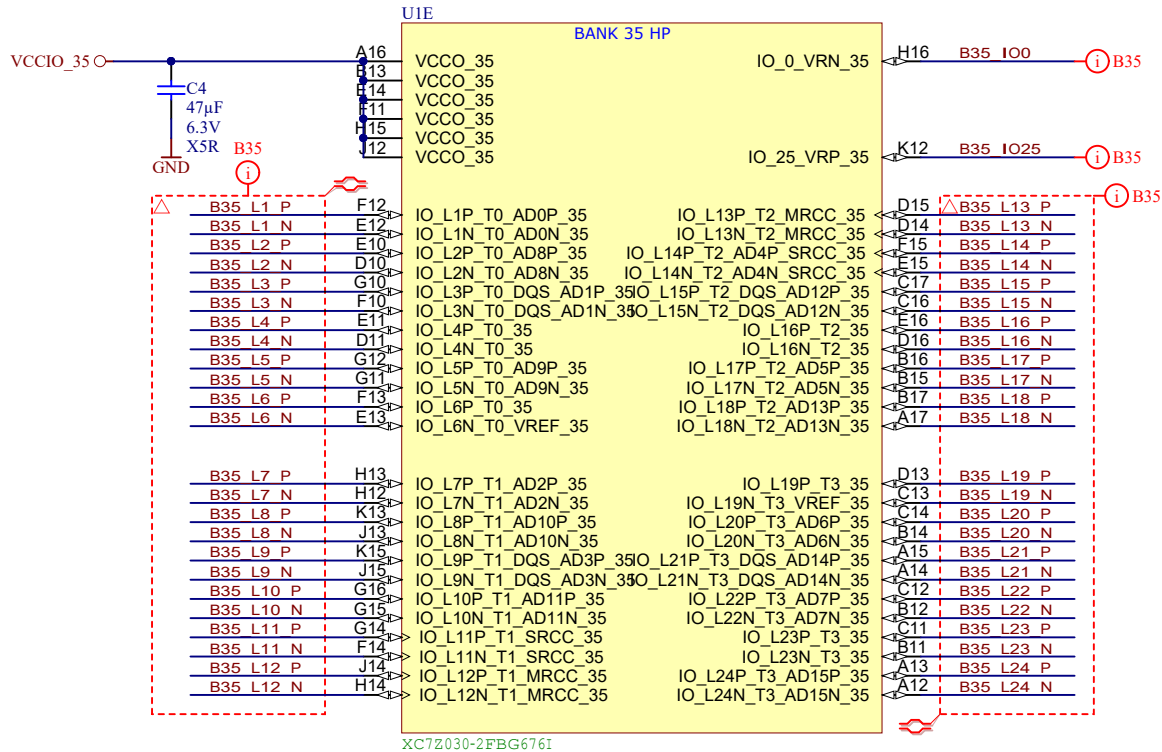
Title: TE0745 - Zynq_B33		
A4	Number: 10 72111-A	Rev. 02
Date: 2016-04-28	Copyright: Trenz Electronic GmbH / TT	Page 10 of 25
Filename: B33.SchDoc		



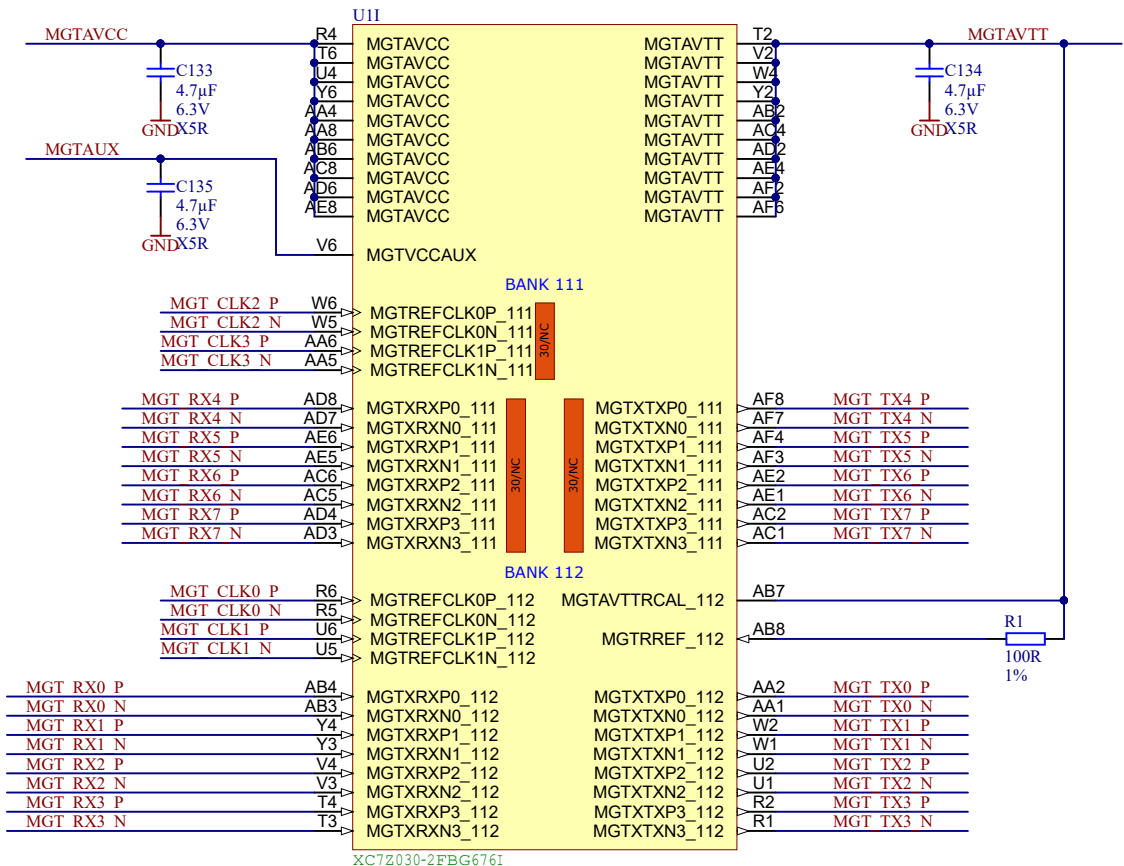
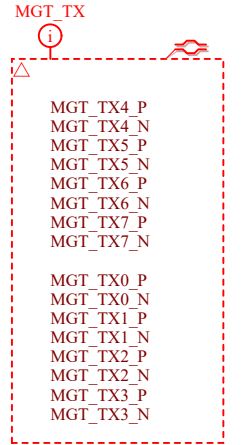
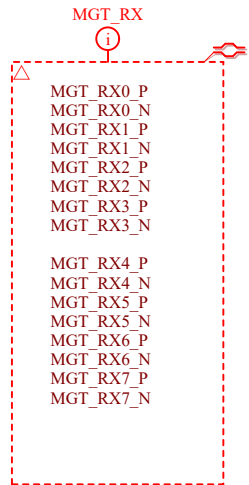
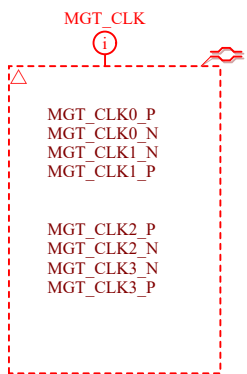
XC7Z030-2FBG6761



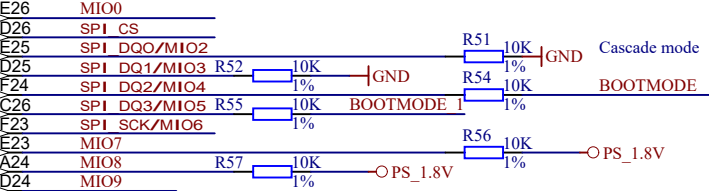
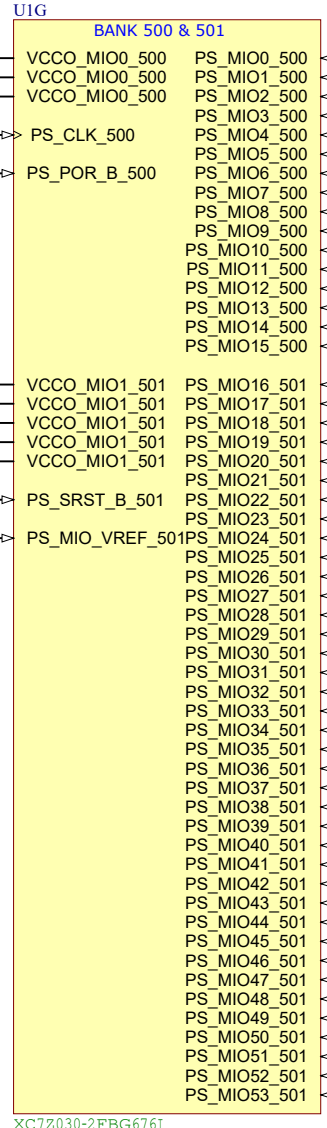
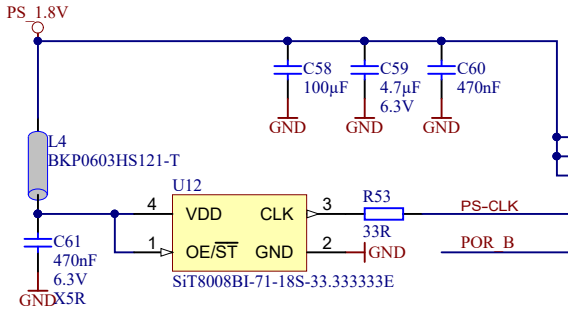
Title: TE0745 - Zynq_B34			
A4	Number: 11 72111-A	Rev. 02	
Date: 2016-04-28	Copyright: Trenz Electronic GmbH / TT	Page 11 of 25	
Filename: B34.SchDoc			



Title: TE0745 - Zynq_B35		
A4	Number: 12 72111-A	Rev. 02
Date: 2016-04-28	Copyright: Trenz Electronic GmbH / TT	Page 12 of 25
Filename: B35.SchDoc		

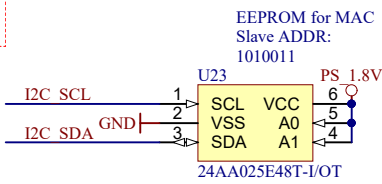
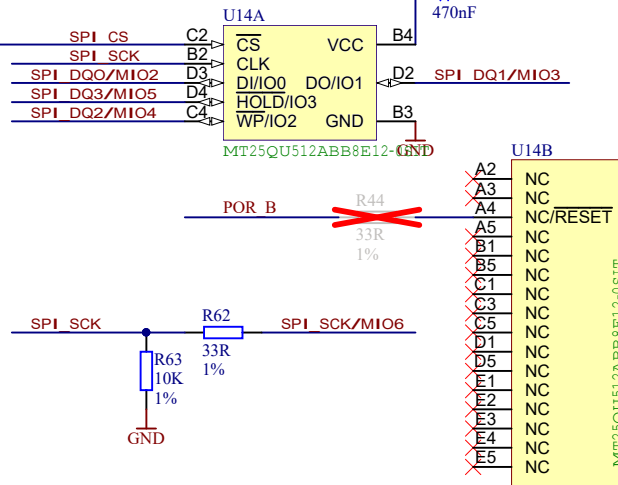
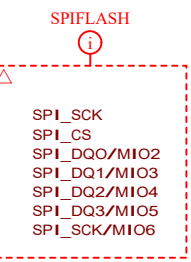
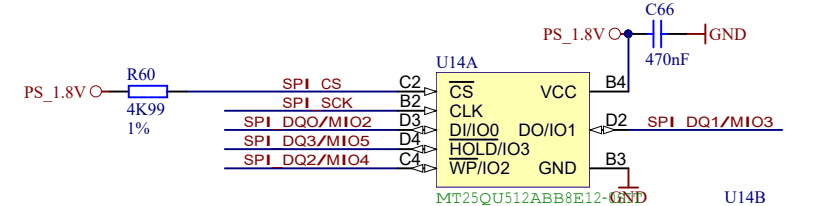
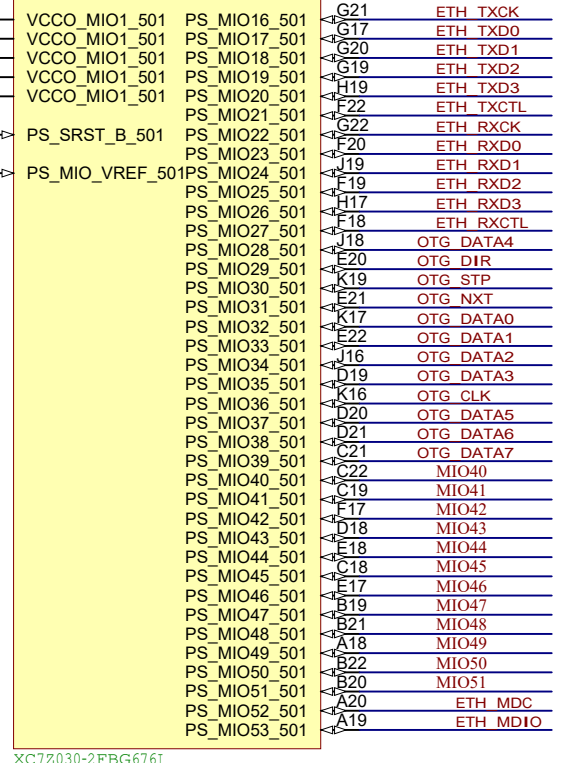
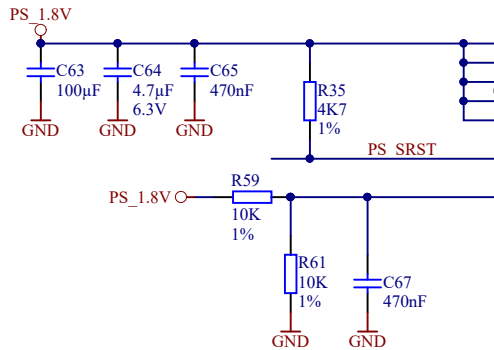


Title: TE0745 - Zynq_MGT		
A4	Number: 13 72111-A	Rev. 02
Date: 2016-04-28	Copyright: Trenz Electronic GmbH / TT	Page 13 of 25
Filename: FPGA_MGT.SchDoc		

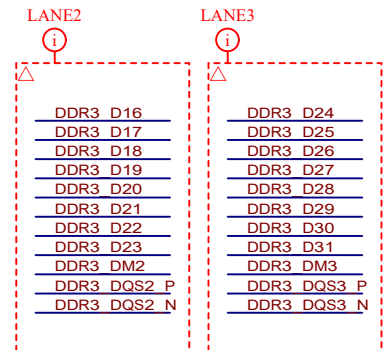
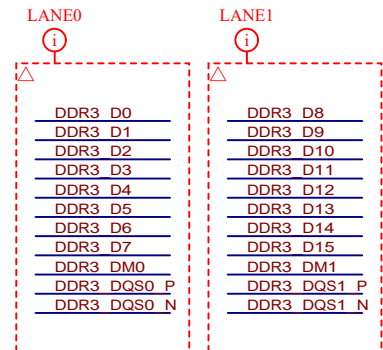
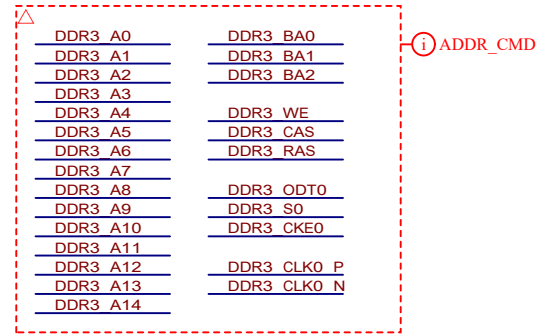
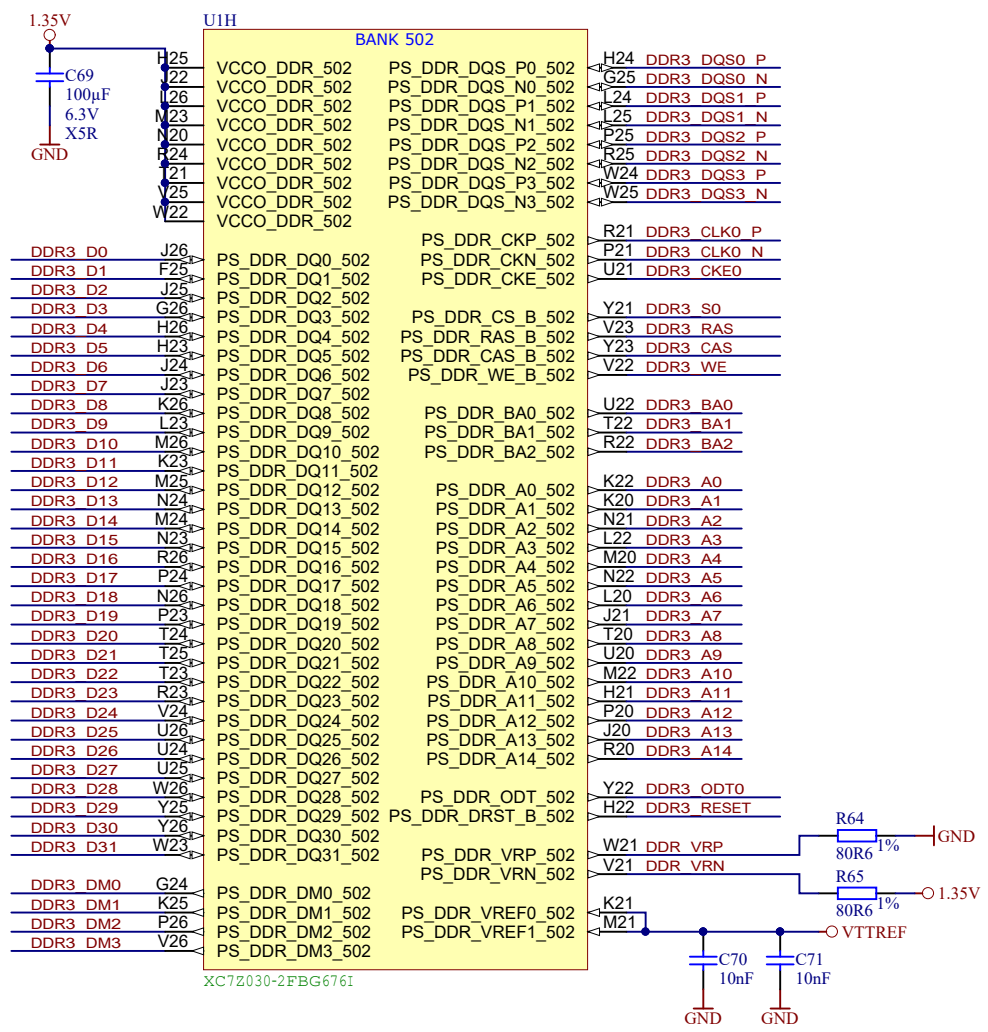


MIO Bank Voltage	MIO7	MIO8
	Bank0	Bank1
2.5V, 3.3V	0	0
1.8V	1	1

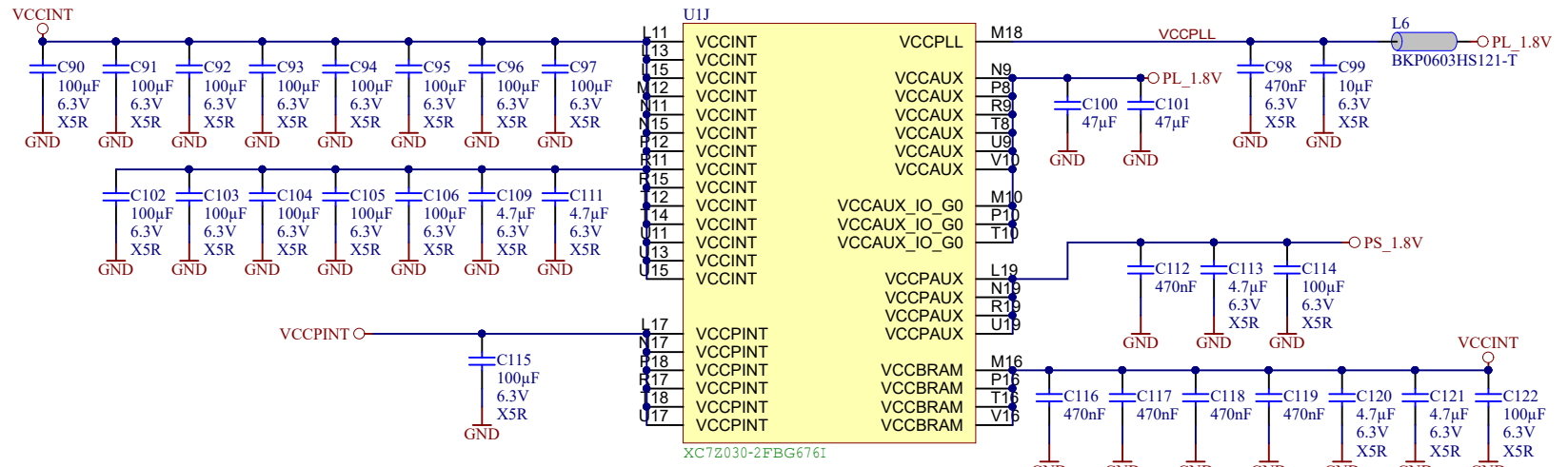
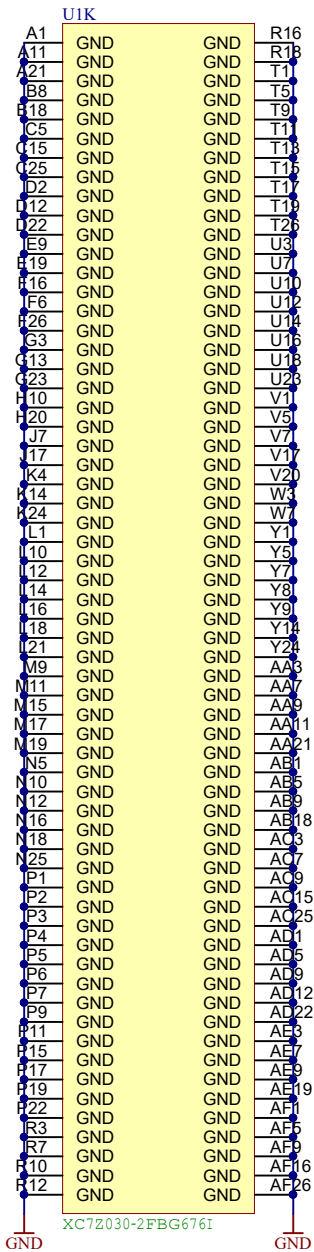

BOOT MODE	MIO5	MIO4	MIO3
JTAG Boot Mode	0	0	0
NOR Boot	0	0	1
NAND	0	1	0
Quad-SPI	1	0	0
SD Card	1	1	0



Title: TE0745 - Zynq_MIO_Banks		
A4	Number: 14 7211-A	Rev. 02
Date: 2016-04-28	Copyright: Trenz Electronic GmbH / TT	Page 14 of 25
Filename: MIO_B500.SchDoc		



Title: TE0745 - Zynq_PS_DDR			
A4	Number: 15 72111-A	Rev. 02	
Date: 2016-04-28	Copyright: Trenz Electronic GmbH / TT	Page 15 of 25	
Filename: PS-DDR.SchDoc			

Title: TE0745 - Zynq_Power		
A4	Number: 16 7211-A	Rev. 02
Date: 2016-04-28	Copyright: Trenz Electronic GmbH / TT	Page 16 of 25
Filename: ZYNC_POWER.SchDoc		



A

B

C

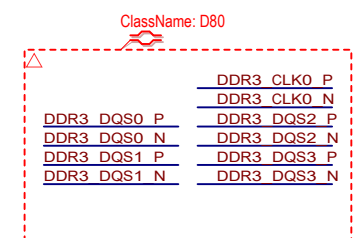
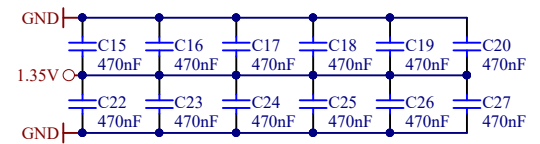
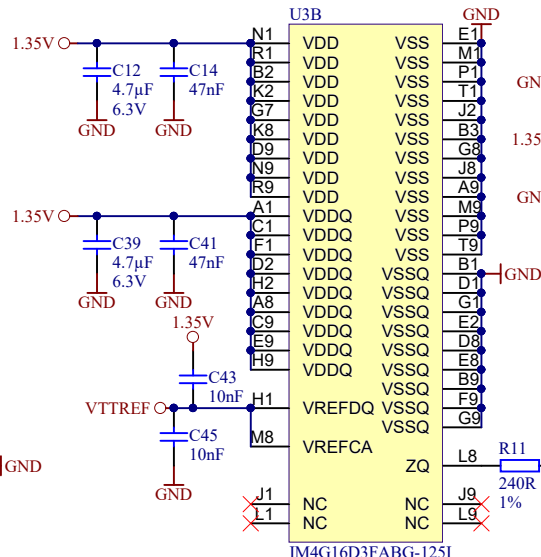
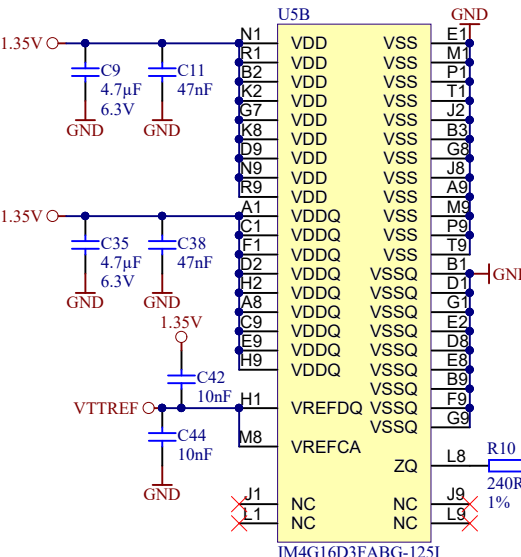
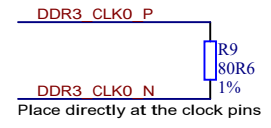
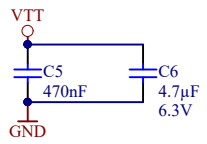
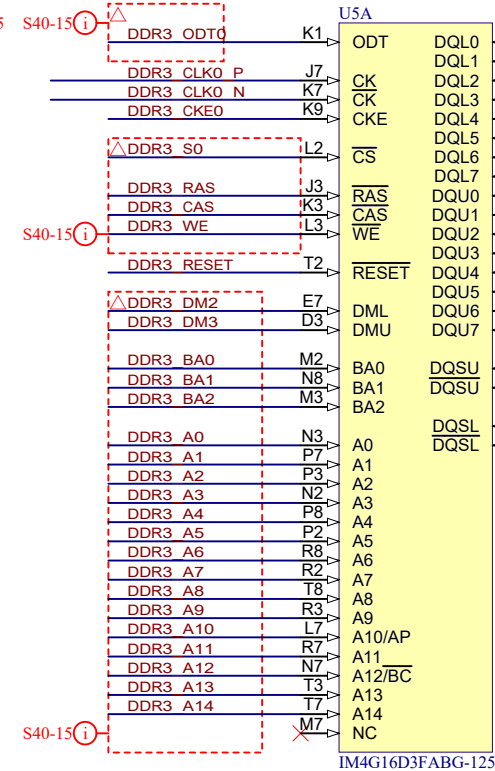
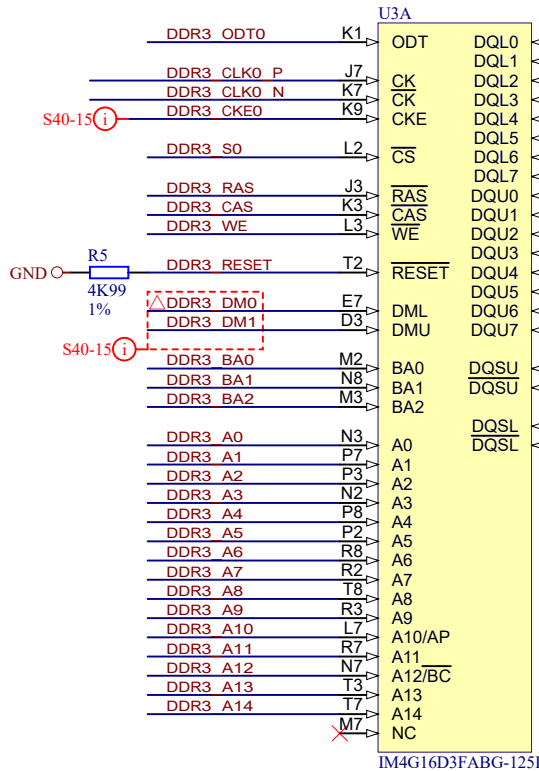
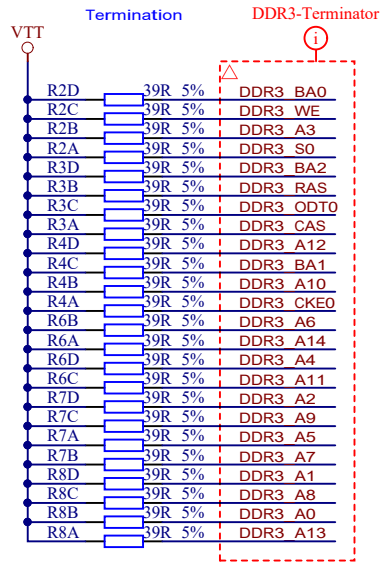
D

A

B

C

D



Title: TE0745 - DDR3 RAM		
A4	Number: 17 72111-A	Rev. 02
Date: 2016-04-28	Copyright: Trenz Electronic GmbH	Page 17 of 25
Filename: DDR3-RAM.SchDoc		

1

2

3

4

A

A

B

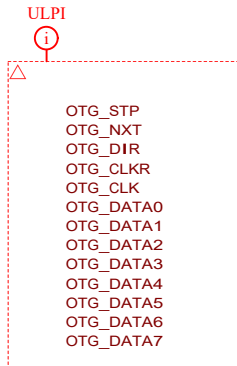
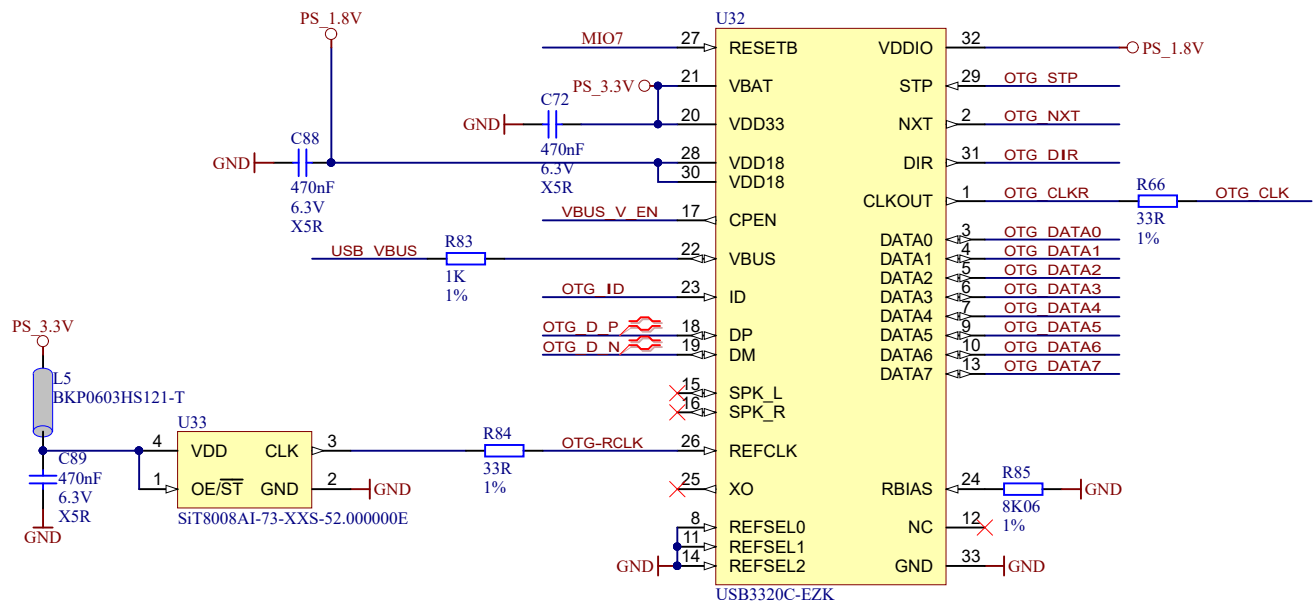
B

C

C

D

D



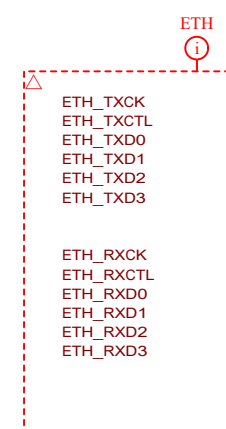
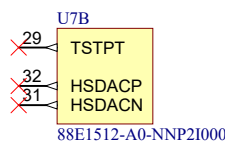
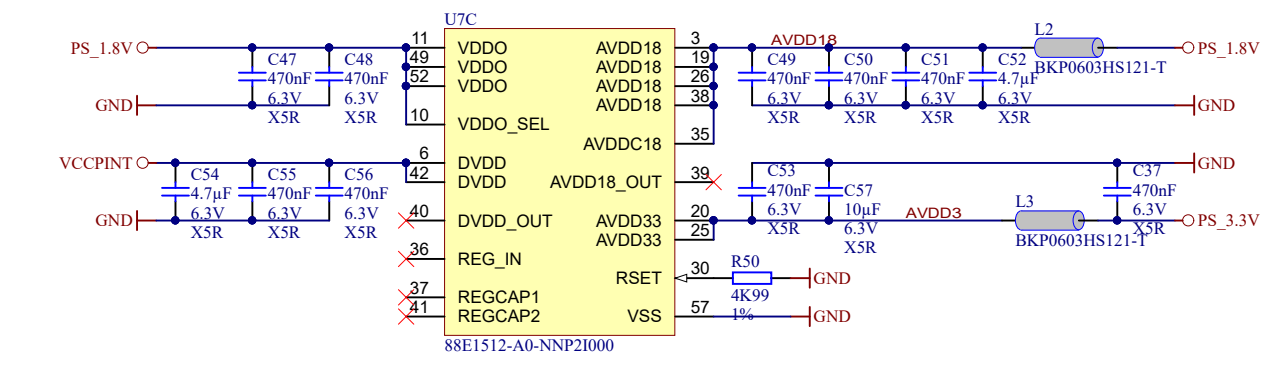
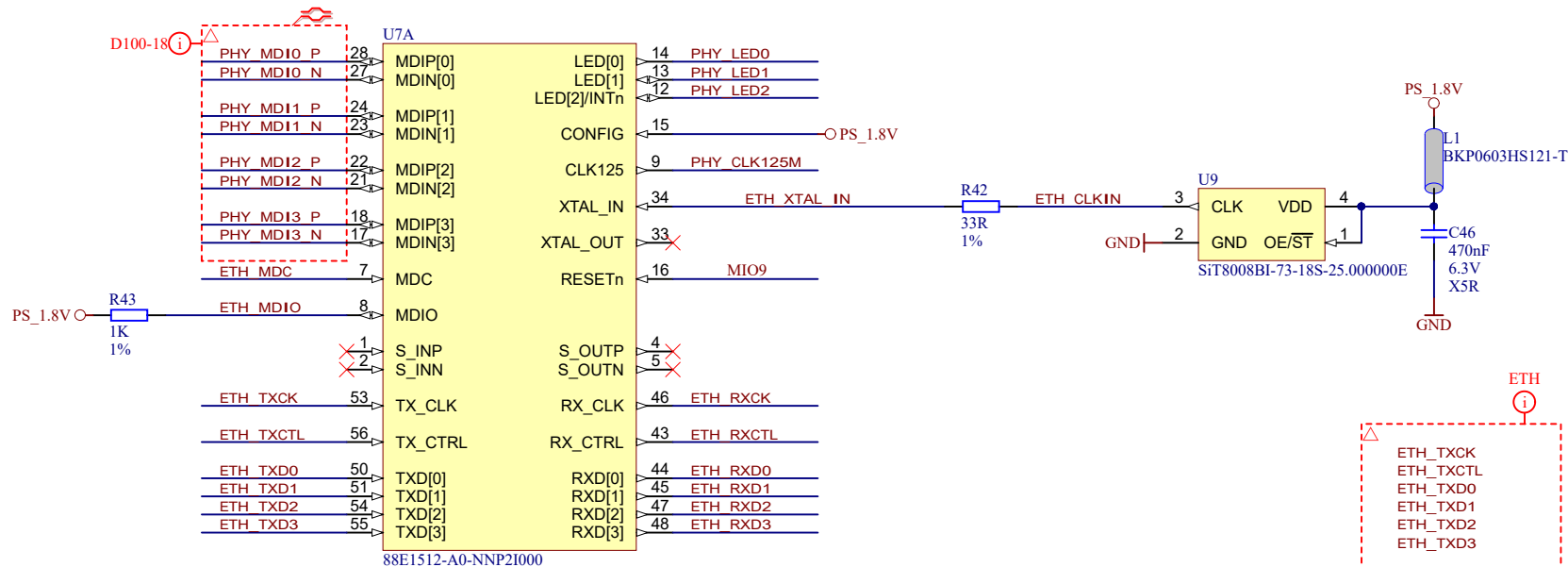
Title: TE0745 - USB_PHY		
A4	Number: 18 72111-A	Rev. 02
Date: 2016-04-28	Copyright: Trenz Electronic GmbH / TT	Page 18 of 25
Filename: USB-PHY.SchDoc		

1

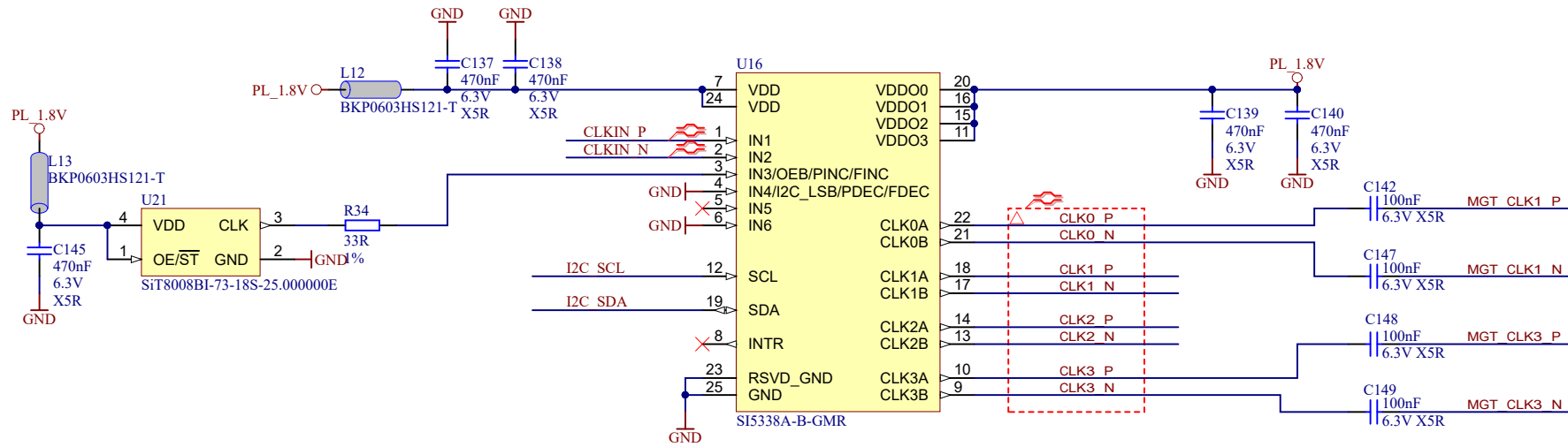
2

3


4

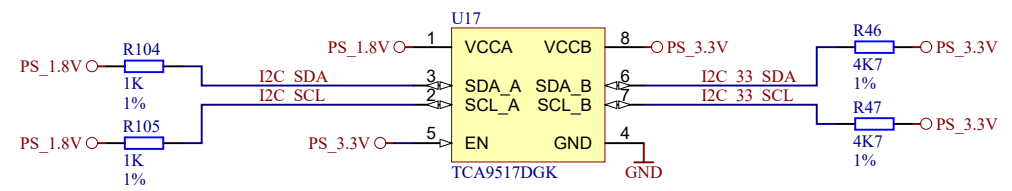
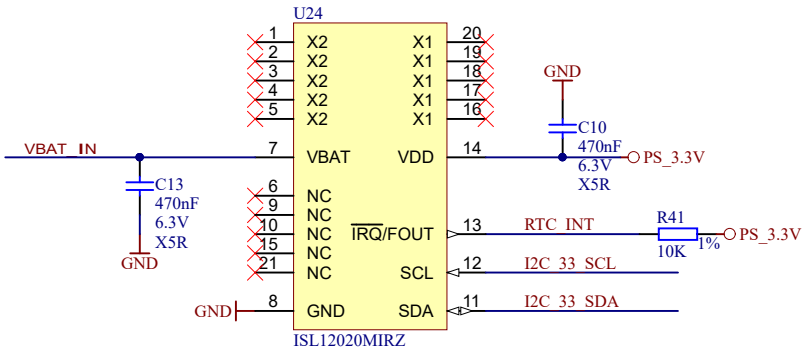


		Title: TE0745 - ETH_PHY	
		A4	Number: 19 72111-A
Date: 2016-04-28		Copyright: Trenz Electronic GmbH / TT	
Filename: ETH-PHY.SchDoc		Page 19 of 25	

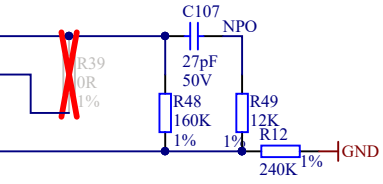
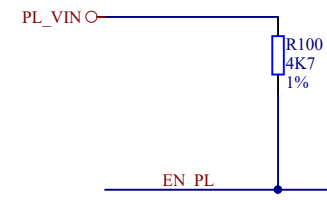
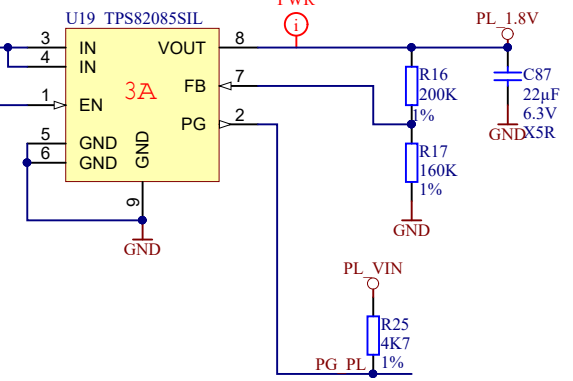
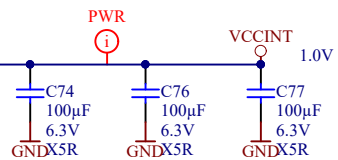
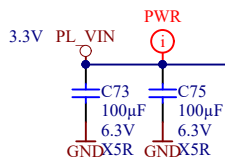


Slave ADDR:  
1110000 OR 1110001

		Title: TE0745 - CLK	
		A4	Number: 20 72111-A
Date: 2016-04-28		Copyright: Trenz Electronic GmbH / TT	
Filename: CLK.SchDoc		Page 20 of 25	

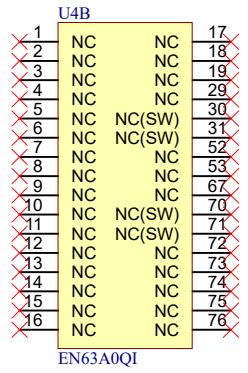
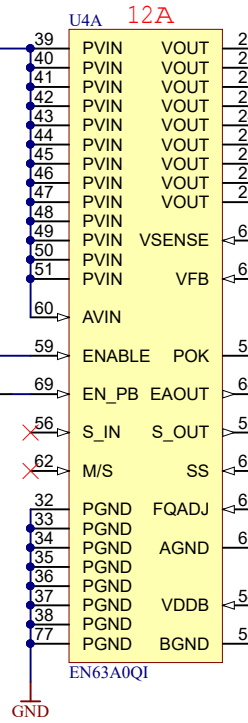


Title: TE0745 - RTC		
A4	Number: 21 72111-A	Rev. 02
Date: 2016-04-28	Copyright: Trenz Electronic GmbH / TT	Page21 of 25
Filename: SENSOR-RTC.SchDoc		

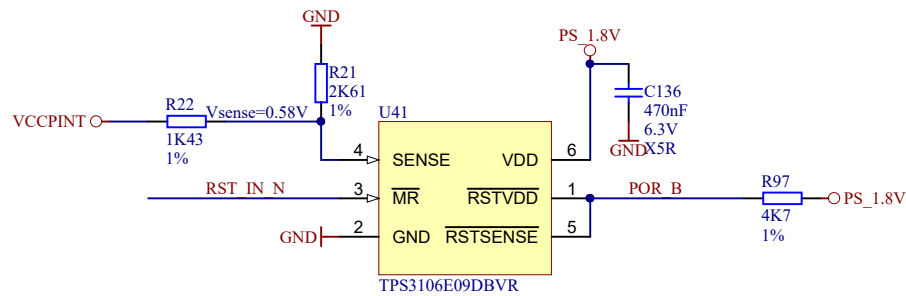
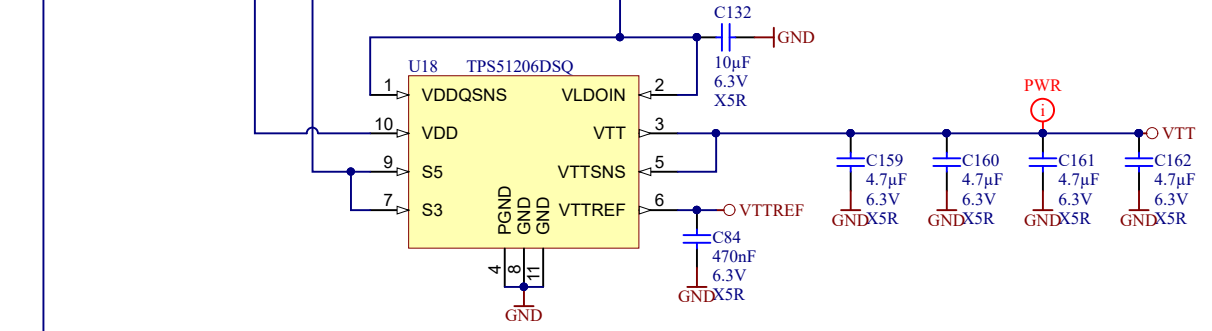
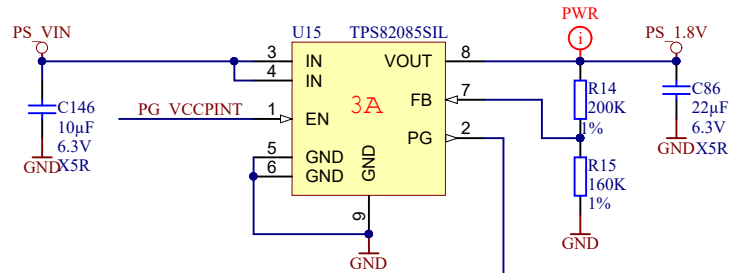
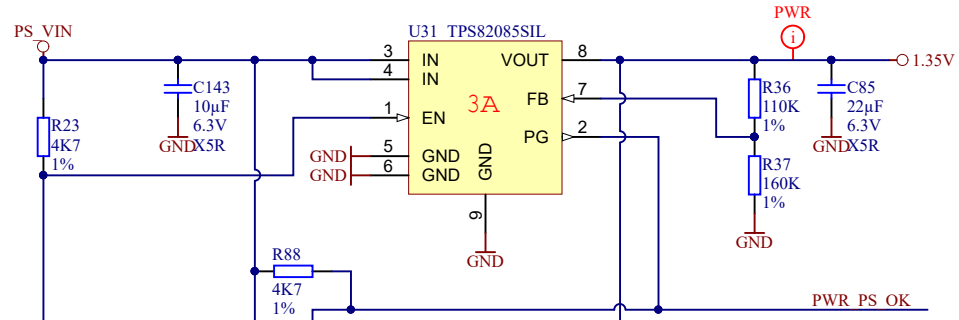
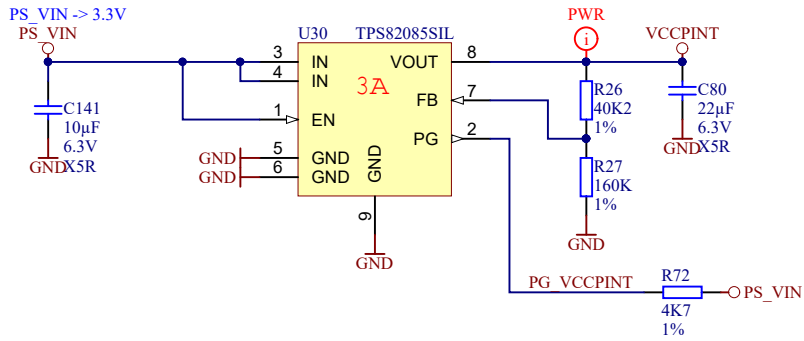


**Pre-bias assembly option**

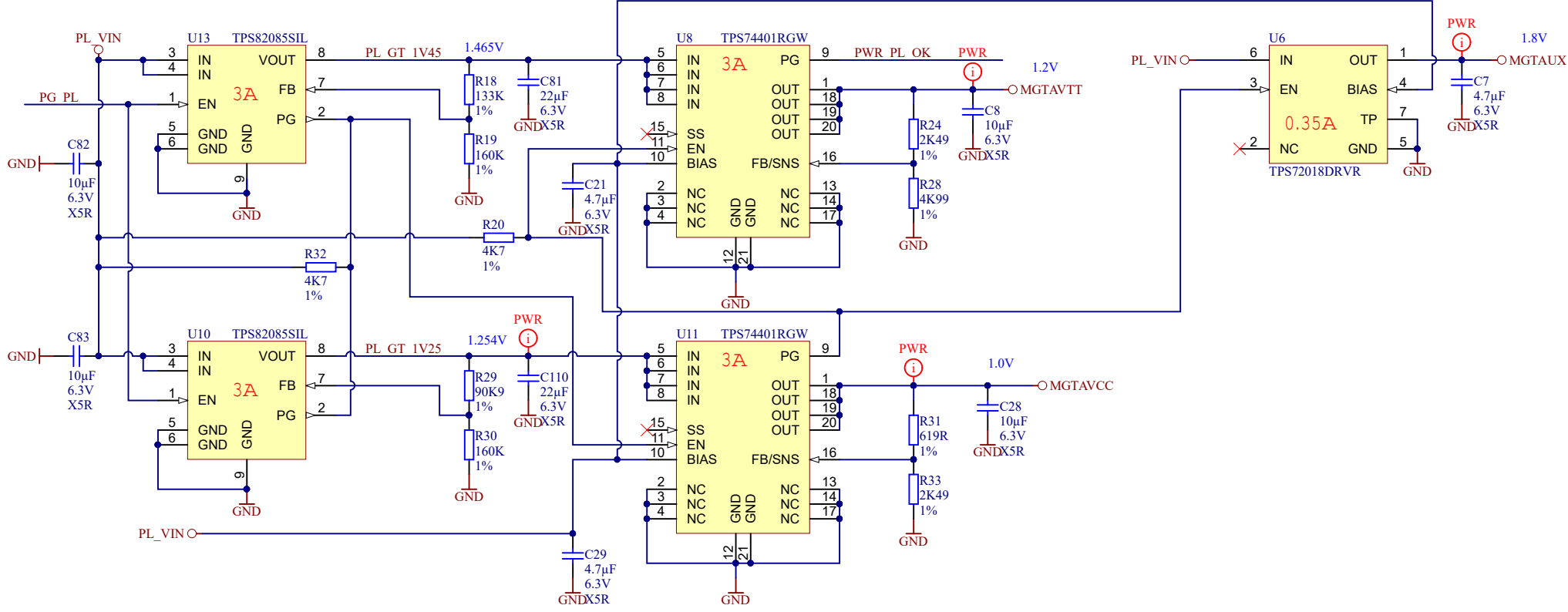
R39	R40	MODE	EN63A0QI
OK	X		enable pre-bias start-up
X	OK		disable pre-bias start-up



Title: TE0745 - Power		
A4	Number: 22 72111-A	Rev. 02
Date: 2016-04-28	Copyright: Trenz Electronic GmbH / TT	Page 22 of 25
Filename: POWER.SchDoc		

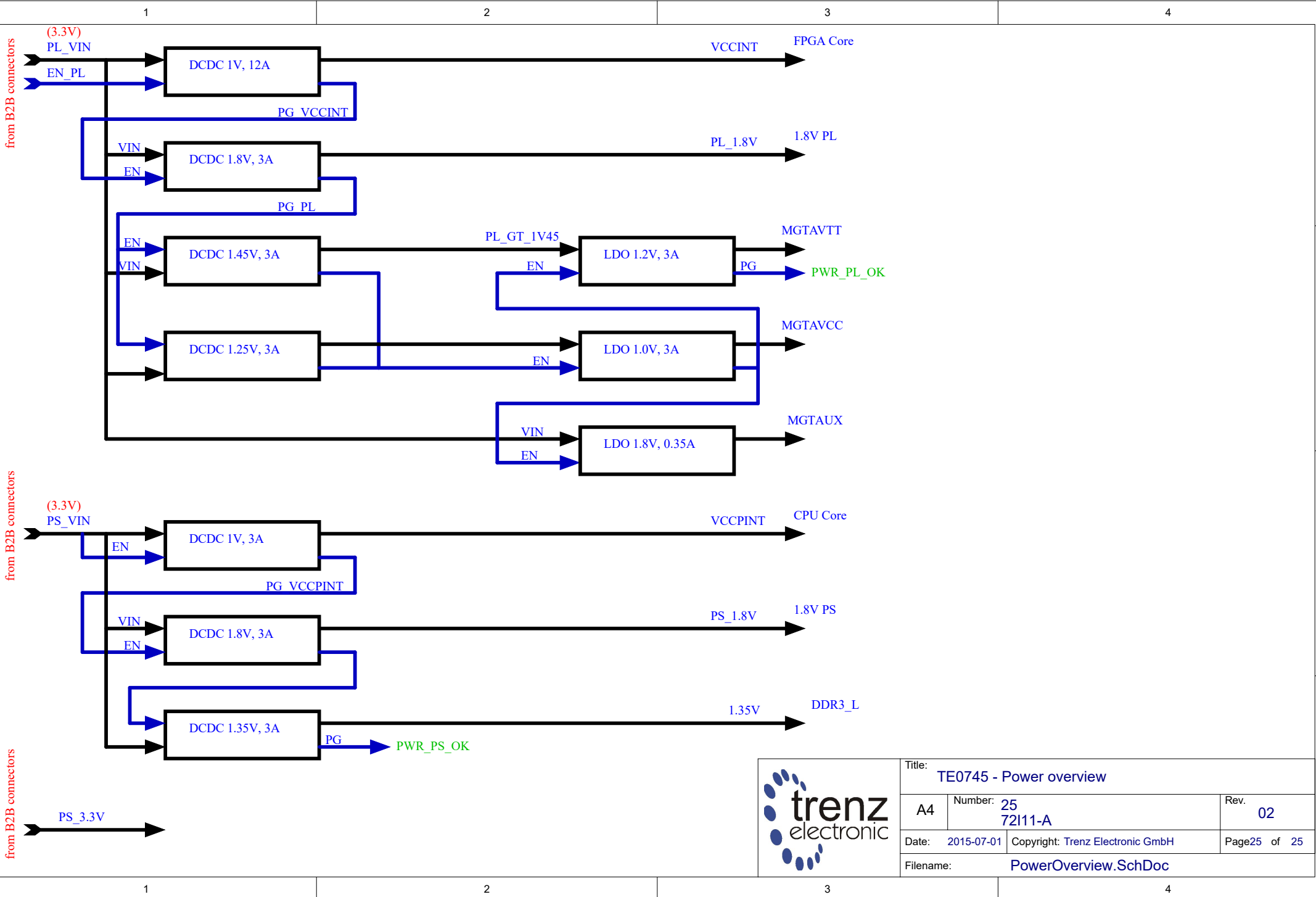


Title: TE0745 - Power2		
A4	Number: 23 72111-A	Rev. 02
Date: 2016-04-28	Copyright: Trenz Electronic GmbH / TT	Page23 of 25
Filename: POWER_2.SchDoc		



Title: TE0745 - Power3		
A4	Number: 24 72111-A	Rev. 02
Date: 2016-04-28	Copyright: Trenz Electronic GmbH / TT	Page24 of 25
Filename: POWER_3.SchDoc		





Title: TE0745 - Power overview		
A4	Number: 25 72111-A	Rev. 02
Date: 2015-07-01	Copyright: Trenz Electronic GmbH	Page 25 of 25
Filename: PowerOverview.SchDoc		