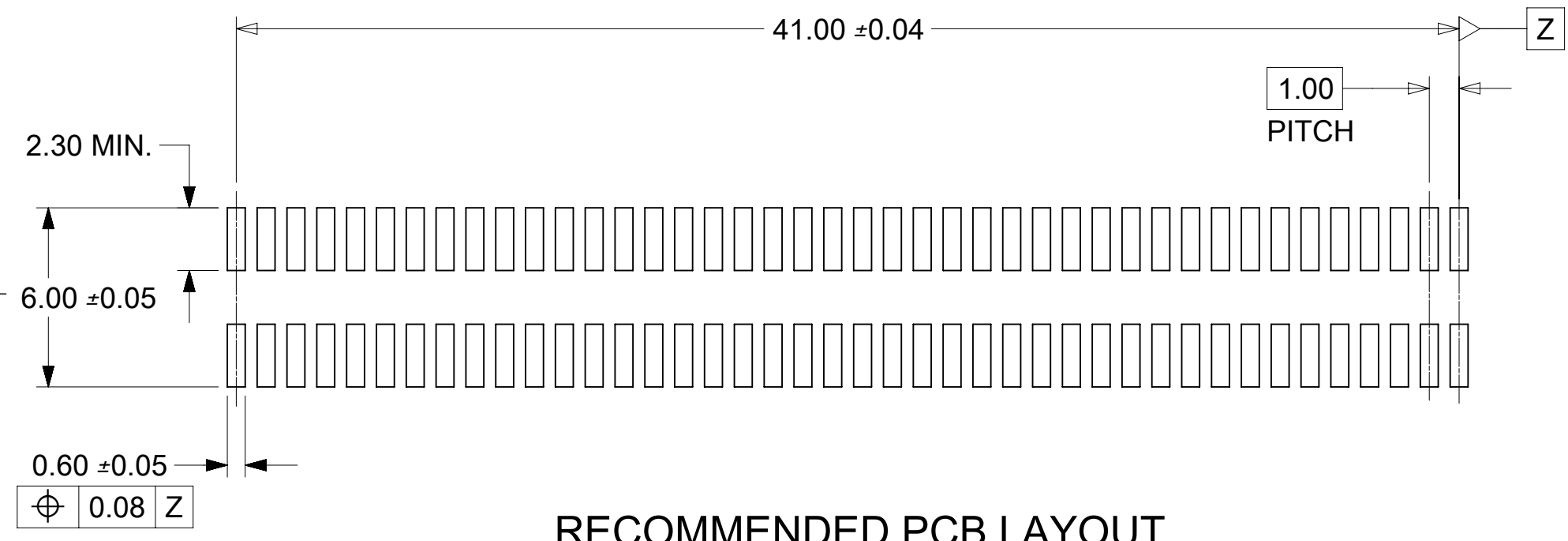
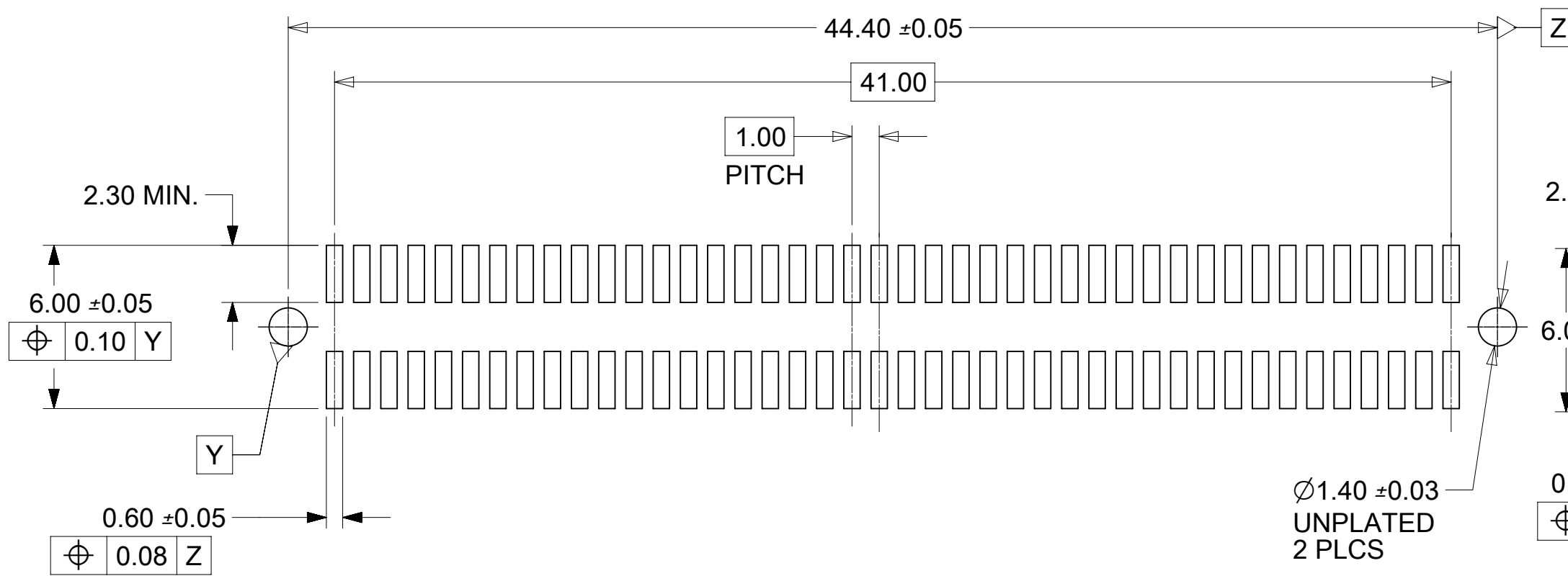
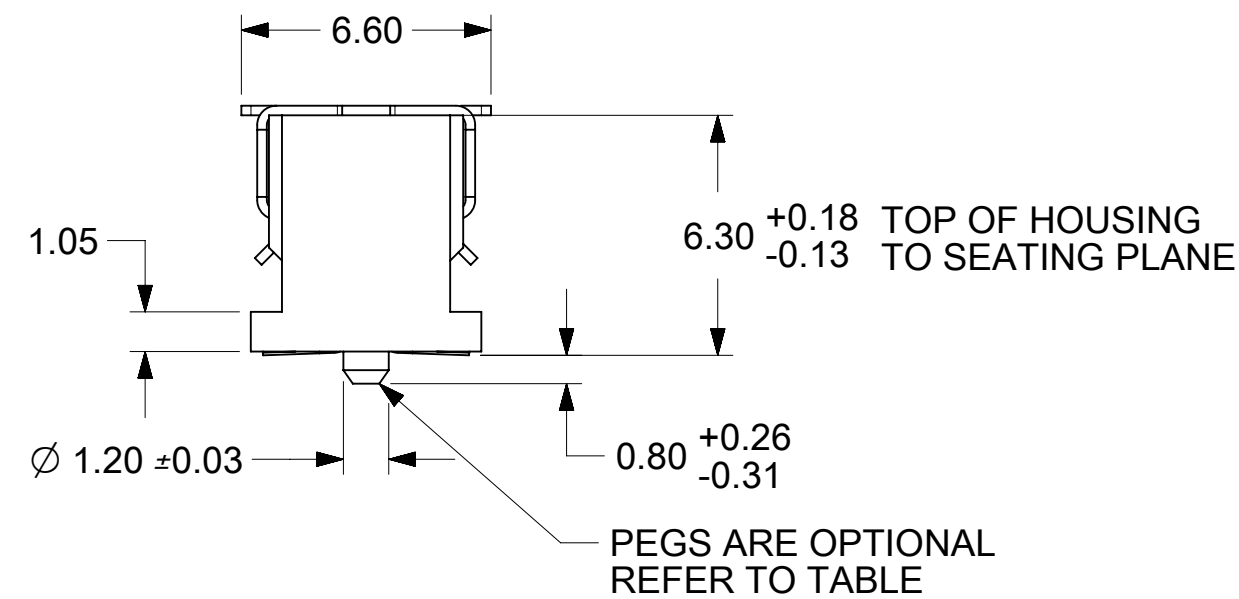
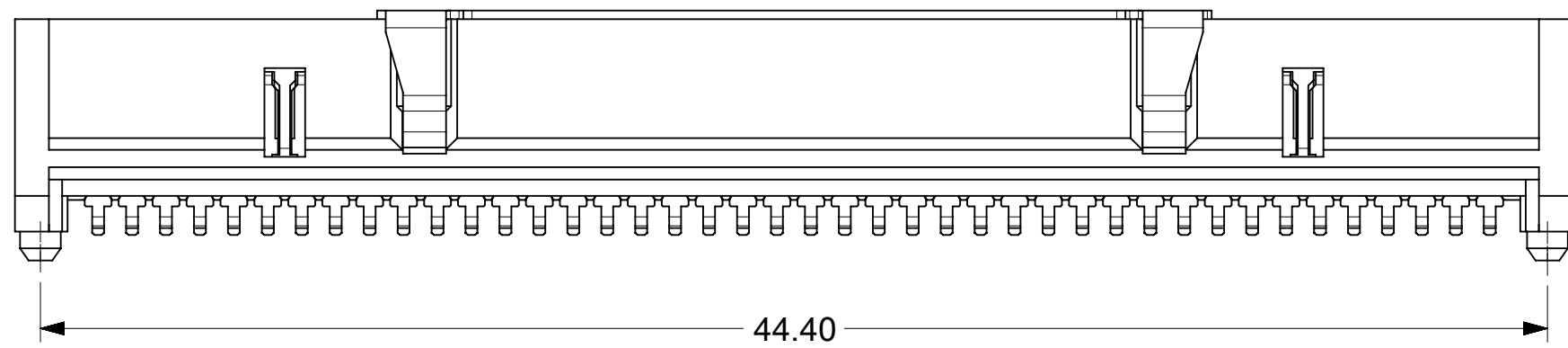


**NOTES:**

- HOUSING MATERIAL : GLASS FILLED LIQUID CRYSTAL POLYMER (LCP);  
UL RATING: 94V-0; COLOR: WHITE  
TERMINAL MATERIAL: PHOSPHOR BRONZE  
VACUUM CAP MATERIAL: STAINLESS STEEL
- COPLANARITY OF SMT TAILS: 0.10 MAX.
- PACKAGING SPECIFICATIONS : REFER TO TABLE.
- THIS PART, WHEN MATED WITH MOLEX U.S.PART NO. 71742-0\*\*\* OR MOLEX JAPAN PART NO. 52841-0848, CONFORMS TO MOLEX PRODUCT SPECIFICATION PS-71741-9999.



**RECOMMENDED PCB LAYOUT WITH PEGS**

RECOMMENDED PCB THICKNESS: 1.0±0.1 mm MIN.

**RECOMMENDED PCB LAYOUT**

RECOMMENDED PCB THICKNESS: 1.0±0.1 mm MIN.

**PLATINGS:**

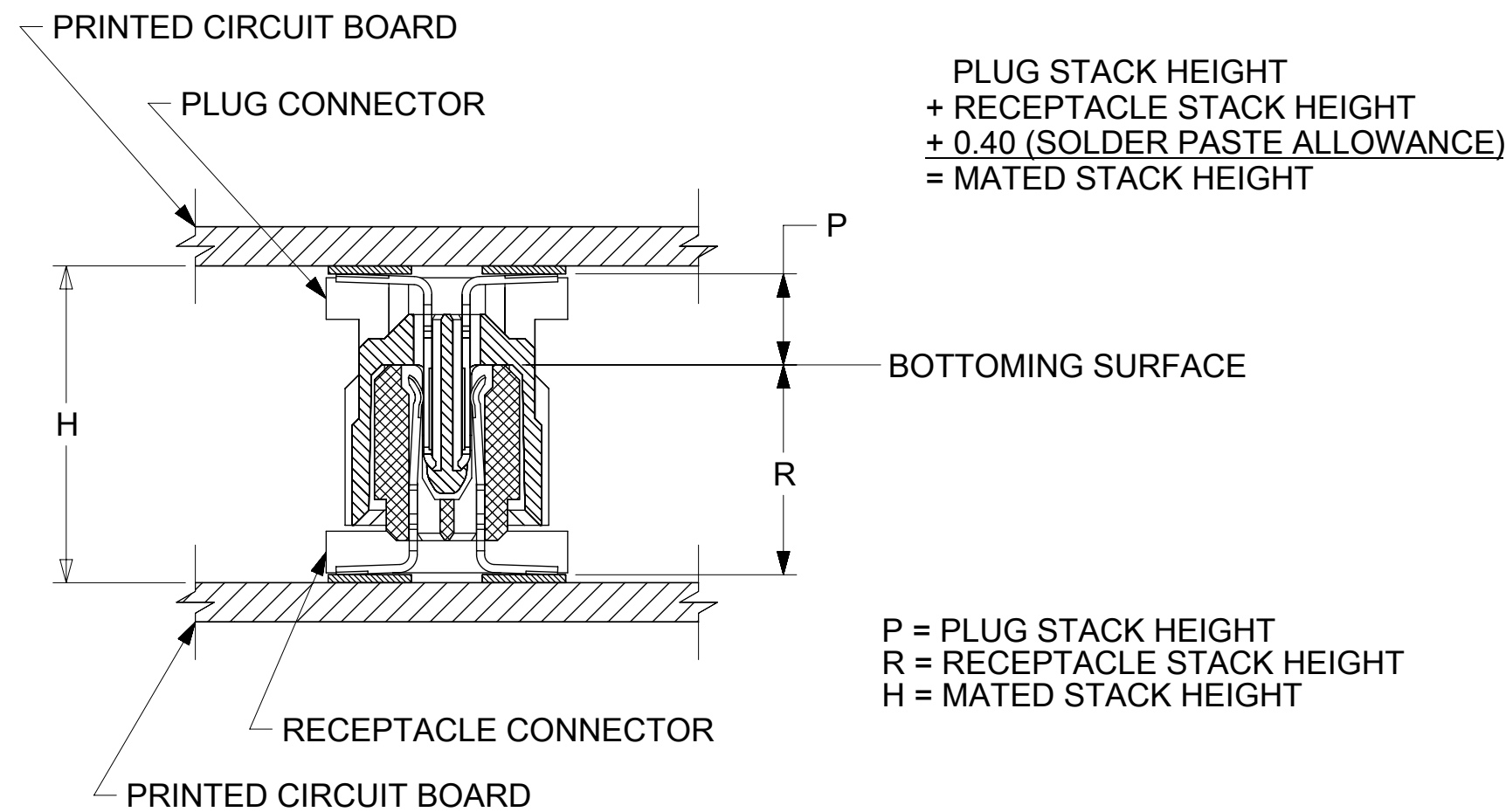
- X21 - .76 MICROMETERS MINIMUM GOLD PLATE IN SELECT AREA, 1.91 MICROMETERS MINIMUM TIN PLATE IN SELECT AREA, OVER NICKEL UNDERPLATE.
- X71 - .25 MICROMETERS MINIMUM GOLD PLATE IN SELECT AREA, 1.02 MICROMETERS MINIMUM TIN PLATE IN SELECT AREA, OVER NICKEL UNDERPLATE.

SYMBOLS										THIS DRAWING CONTAINS INFORMATION THAT IS PROPRIETARY TO MOLEX ELECTRONIC TECHNOLOGIES, LLC AND SHOULD NOT BE USED WITHOUT WRITTEN PERMISSION																								
DIMENSION UNITS					SCALE					CURRENT REV DESC: REDRAWN IN NX																								
mm					5:1																													
GENERAL TOLERANCES (UNLESS SPECIFIED)																																		
ANGULAR TOL ± 0.5°																																		
4 PLACES ±					EC NO: 610884					2018/12/10																								
3 PLACES ±					DRWN: TTAO03					2019/02/01																								
2 PLACES ± 0.18					CHK'D: JKACHLIC					2019/02/01																								
1 PLACE ± 0.33					APPR: JKACHLIC					2019/02/01					PRODUCT CUSTOMER DRAWING																			
0 PLACES ±					INITIAL REVISION:										DOCUMENT NUMBER					DOC TYPE					DOC PART					REVISION				
					DRWN: JRR					95/08/14					717412000					PSD					000					A1				
					APPR: CAB					95/08/14					MATERIAL NUMBER					CUSTOMER					SHEET NUMBER									
DRAFT WHERE APPLICABLE MUST REMAIN WITHIN DIMENSIONS					THIRD ANGLE PROJECTION					DRAWING					SERIES					SEE TABLE					GENERAL MARKET					1 OF 2				
					C-SIZE					71741																								

PART NUMBER	PEGS	PICK & PLACE CAP	PACKAGING SPEC. NUMBER	PACKAGING TYPE	TERMINAL PLATING SEE SHEET 1
71741-2001	YES	YES	PK-70873-063	TAPE & REEL	X21
71741-2002	NO	YES	PK-70873-063	TAPE & REEL	X21

RECOMMENDED PLUG/RECEPTACLE COMBINATION FOR MATED STACK HEIGHT PER EIA STANDARD 700 AAAB

MATED STACK HEIGHT	RECEPTACLE HEIGHT	RECEPTACLE SERIES NO.	PLUG HEIGHT	PLUG SERIES NO.
8.00	5.30	71742-0***	2.30	71741-2***
13.00	10.30	71742-3***		

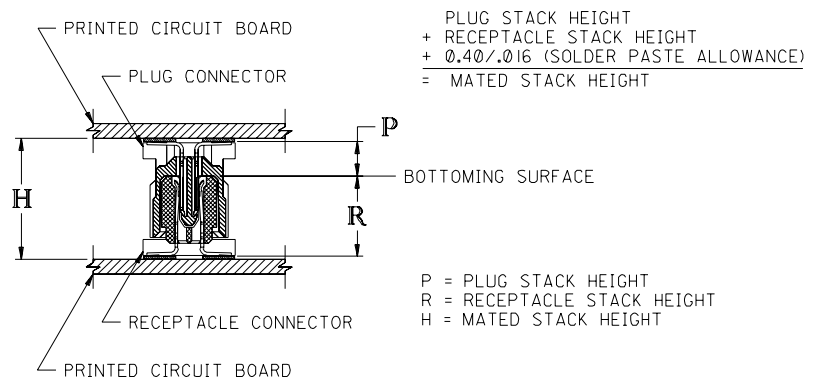


<b>SYMBOLS</b> DIMENSION UNITS: $\nabla = 0$ mm GENERAL TOLERANCES (UNLESS SPECIFIED) $\nabla = 0$ ANGULAR TOL $\pm 0.5^\circ$ $\nabla = 0$ 4 PLACES $\pm$ $\nabla = 0$ 3 PLACES $\pm$ $\nabla = 0$ 2 PLACES $\pm 0.18$ $\nabla = 0$ 1 PLACE $\pm 0.33$ $\nabla = 0$ 0 PLACES $\pm$ $\blacksquare = 0$ DRAFT WHERE APPLICABLE MUST REMAIN WITHIN DIMENSIONS $\nabla = 0$	THIS DRAWING CONTAINS INFORMATION THAT IS PROPRIETARY TO MOLEX ELECTRONIC TECHNOLOGIES, LLC AND SHOULD NOT BE USED WITHOUT WRITTEN PERMISSION		CURRENT REV DESC: REDRAWN IN NX			
	SCALE		EC NO: 610884			SALES ASSY, 1.0MM 84 CKT BTB PLUG 2.30 MM STACK HEIGHT
	DRAWING		DRWN: TTAO03 2018/12/10			
	SERIES		CHK'D: JKACHLIC 2019/02/01			
THIRD ANGLE PROJECTION		APPR: JKACHLIC 2019/02/01		PRODUCT CUSTOMER DRAWING		
DRAWING		INITIAL REVISION:		DOCUMENT NUMBER		
SERIES		DRWN: JRR 95/08/14		717412000		
MATERIAL NUMBER		APPR: CAB 95/08/14		DOC TYPE DOC PART REVISION		
CUSTOMER		C-SIZE 71741		PSD 000 A1		
SHEET NUMBER		SEE TABLE		GENERAL MARKET 2 OF 2		

13 12 11 10 9 8 7 6 71741 4 3 2 1

\* RECOMMENDED PLUG/RECEPTACLE COMBINATION FOR MATED STACK HEIGHT PER EIA STANDARD 700 AAAB

MATED STACK HEIGHT "H"	RECEPTACLE HEIGHT "R"	RECEPTACLE SERIES NO.	PLUG HEIGHT "P"	PLUG SERIES NO.
* 8.00/.315	5.30/.209	71742-0***	2.30/.091	71741-2***
13.00/.512	10.30/.406	71742-3***	2.30/.091	71741-2***



METRIC

REVISE ONLY ON CAD SYSTEM

UNLESS OTHERWISE SPECIFIED TOLERANCES ANGULAR 1/2°		TITLE													
<table border="1"> <thead> <tr> <th></th> <th>INCH</th> <th>METRIC</th> </tr> </thead> <tbody> <tr> <td>3 PLACE</td> <td>±</td> <td>----</td> </tr> <tr> <td>2 PLACE</td> <td>±</td> <td>±</td> </tr> <tr> <td>1 PLACE</td> <td>----</td> <td>±</td> </tr> </tbody> </table>			INCH	METRIC	3 PLACE	±	----	2 PLACE	±	±	1 PLACE	----	±	SALES ASSY, 1.0mm 84 CKT. BOARD-TO-BOARD PLUG 2.30/.091 STACK HEIGHT	
	INCH	METRIC													
3 PLACE	±	----													
2 PLACE	±	±													
1 PLACE	----	±													
DRAFT WHERE APPLICABLE MUST REMAIN WITHIN DIMENSIONS		MOLEX INCORPORATED L15LEJLL 60532 U.S.A.													
PART NO. SEE SHT 1 DRWG. NO. SDA-71741-2***		SHEET NO. 2 DATE 99/08/13													
FILE NAME ST17410.DGN THIS DRAWING CONTAINS INFORMATION THAT IS PROPRIETARY TO MOLEX INC. AND SHOULD NOT BE USED WITHOUT WRITTEN PERMISSION.		DIV. CPP SIZE C													

LTR.	REVISIONS	LTR.	REVISIONS
		A	SEE SHEET 1
		I	SEE SHEET 1

J  
I  
H  
G  
F  
E  
D  
C  
B  
A

J  
I  
H  
G  
F  
E  
D  
C  
B  
A

13 12 11 10 9 8 7 6 5 4 3 2 1