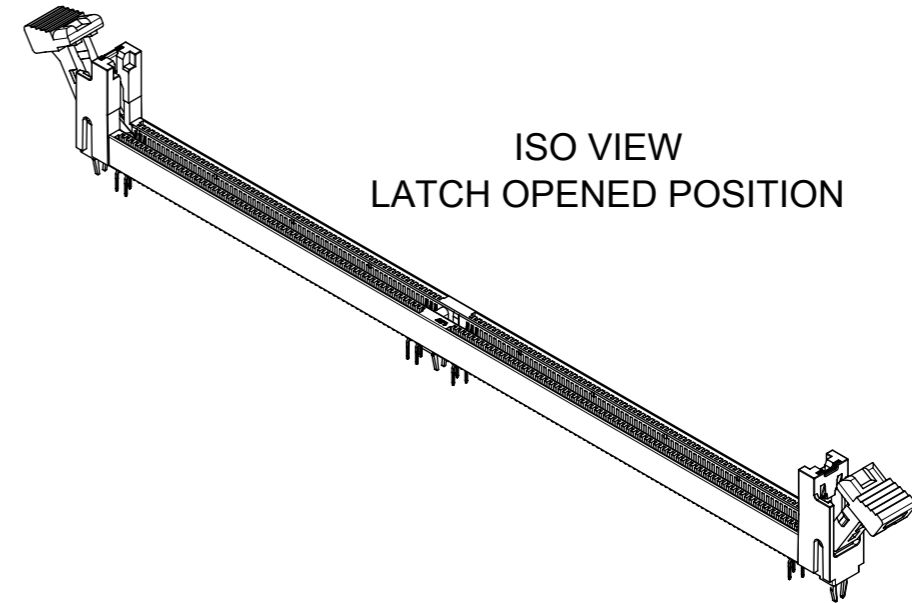
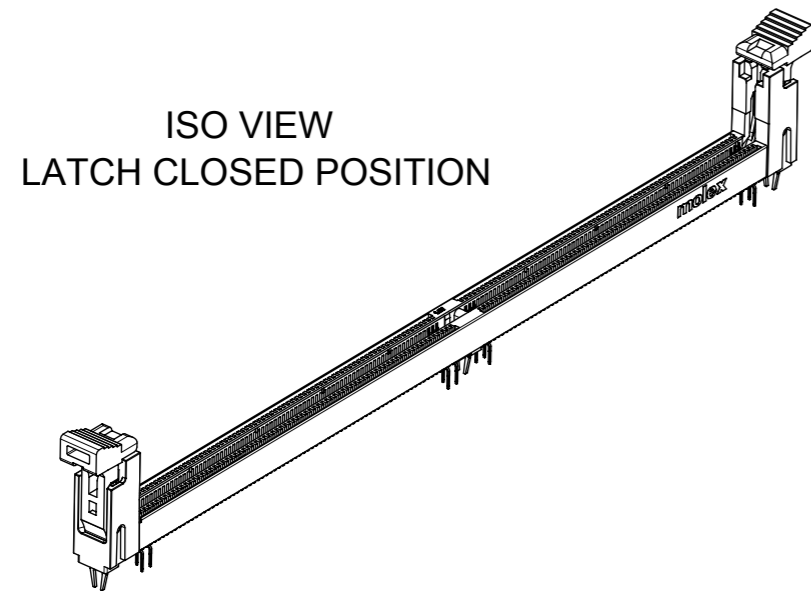
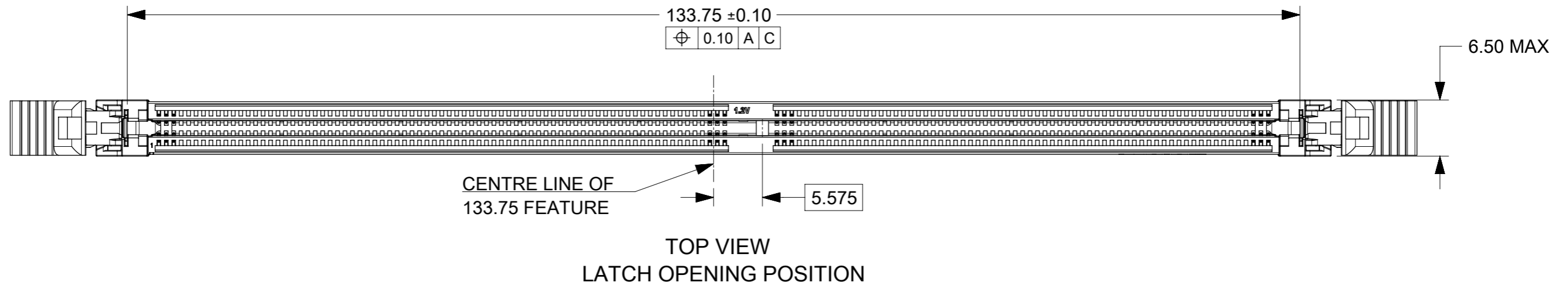


- NOTES:**
- MATERIAL : HOUSING - HALOGEN FREE HIGH TEMP POLYAMIDE, GLASS FILLED, UL94V-0.  
COLOUR : SEE TABLE ON SHEET 5.  
LATCH - HALOGEN FREE HIGH TEMP POLYAMIDE, GLASS FILLED, UL94V-0.  
COLOUR : SEE TABLE ON SHEET 5.  
TERMINAL : COPPER ALLOY.  
FORKLOCK: COPPER ALLOY.
  - FINISHES - SEE TABLE ON SHEET 5.
  - PRODUCT SPECIFICATION : SEE TABLE ON SHEET 5.
  - PACKAGING SPECIFICATION: PRODUCT SHALL BE PACKED IN TRAY, SEE SHEET 5
  - CARD SLOT ACCEPTS 1.40±0.10MM MODULE THICKNESS (MEASURED OVER P.C. PADS).
- △6 MOLEX LOGO, DATE & PART NO. INDICATED ON HOUSING.  
 △7 MODULE SEATING PLANE.  
 △8 KEEP OUT ZONE RESERVED FOR LATCH.  
 △9 KEEP OUT AREA IS THE AREA WHERE THE CONNECTOR (INCLUDES LATCHES IN OPENING POSITION) IS MOUNTED ON THE PCB.  
 10.REFER TO AS-78726-001 FOR CONNECTOR APPLICATION GUIDELINE.  
 11.REFER TO AS-78726-002 FOR PCB ROUTING RECOMMENDATIONS.

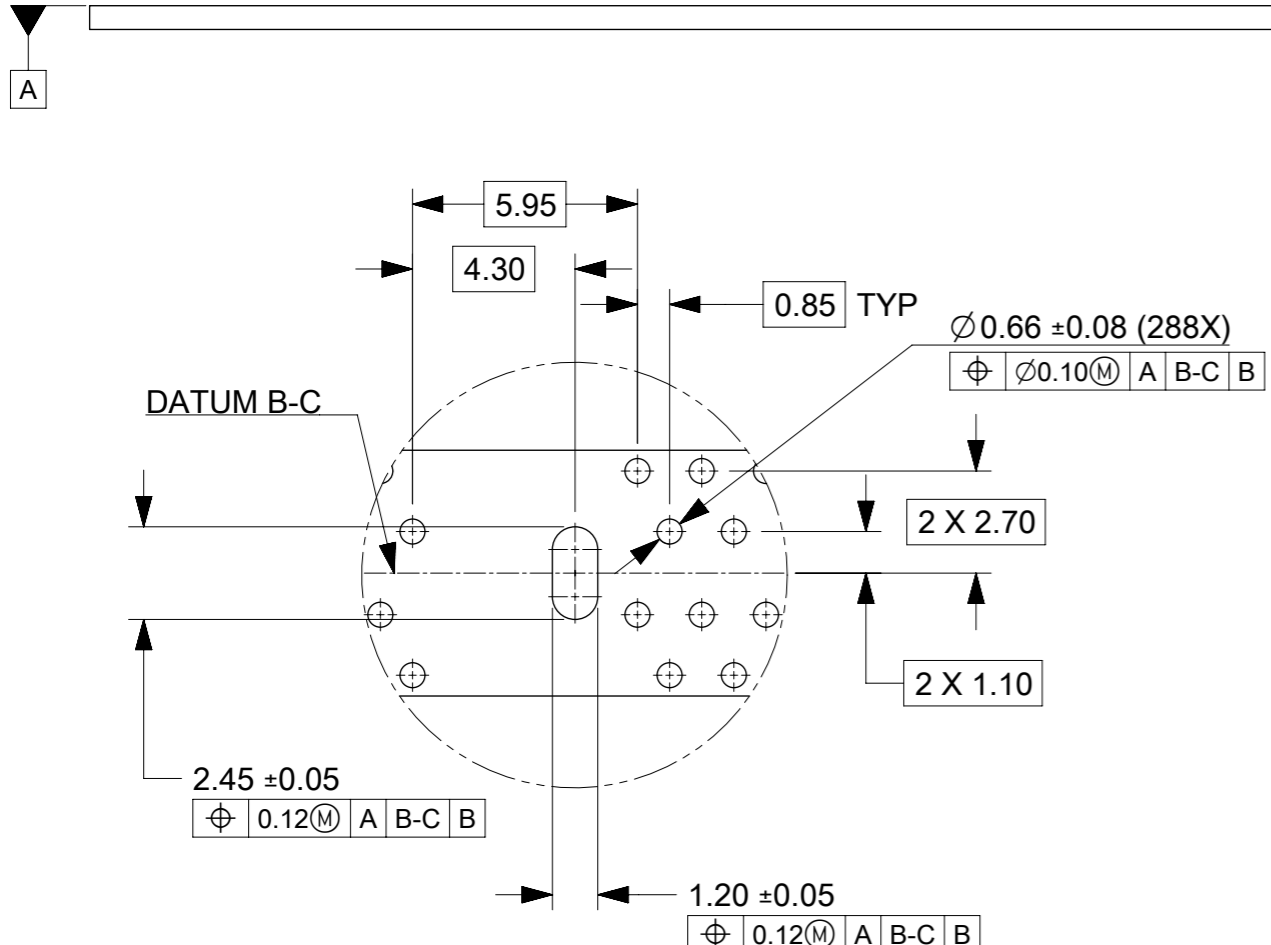
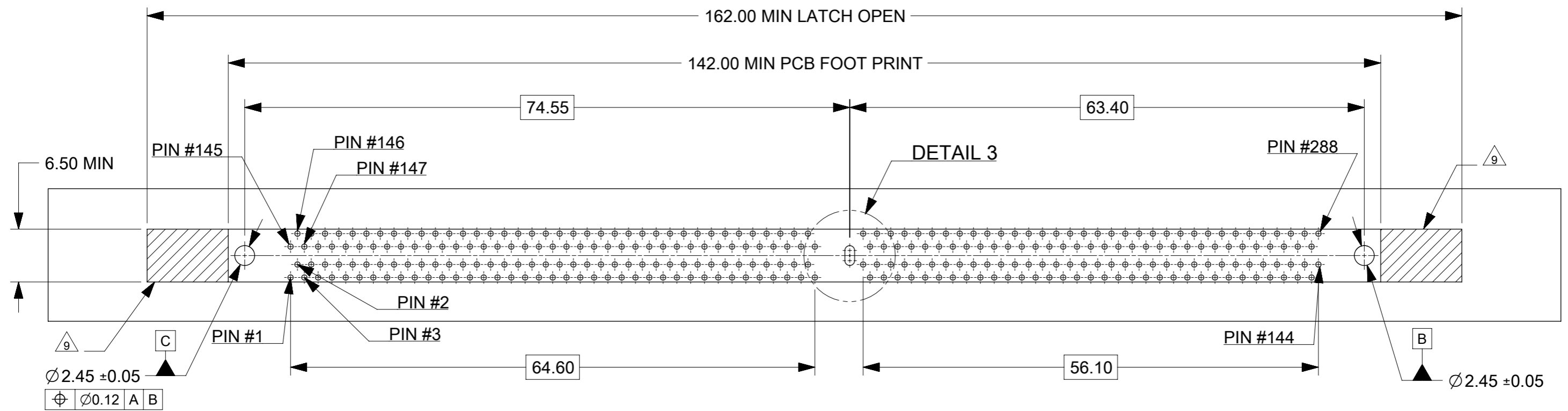
|   |  |                        |  |                              |  |            |  |                 |  |   |  |
|---|--|------------------------|--|------------------------------|--|------------|--|-----------------|--|---|--|
| THIS DRAWING CONTAINS INFORMATION THAT IS PROPRIETARY TO MOLEX ELECTRONIC TECHNOLOGIES, LLC AND SHOULD NOT BE USED WITHOUT WRITTEN PERMISSION |  |                        |  |                              |  |            |  |                 |  |   |  |
| DIMENSION UNITS   |  | SCALE                  |  | CURRENT REV DESC: ADD OPTION |  |            |  | <b>molex</b>    |  | DDR4 DIMM, 0.85MM PITCH<br>288CKTS, VERTICAL TH |  |
| mm  |  | NTS                    |  | 78726-0081                   |  |            |  |                 |  |   |  |
| GENERAL TOLERANCES (UNLESS SPECIFIED)   |  |                        |  |                              |  |            |  |                 |  |   |  |
| ANGULAR TOL   |  | ± 3.0°                 |  | EC NO: 744124                |  | 2022/11/16 |  | DOCUMENT NUMBER |  | DOC TYPE DOC PART REVISION                      |  |
| 4 PLACES  |  | ±                      |  | DRWN: LIMONL                 |  | 2023/04/10 |  | SD-78726-002    |  | PSD 000 A8                                      |  |
| 3 PLACES  |  | ±                      |  | CHK'D: EKSOH                 |  | 2023/04/20 |  | MATERIAL NUMBER |  | CUSTOMER  |  |
| 2 PLACES  |  | ± 0.2                  |  | APPR: CTEH                   |  | 2023/04/20 |  | SEE TABLE       |  | GENERAL MARKET                                  |  |
| 1 PLACE   |  | ±                      |  | INITIAL REVISION:            |  | 2012/03/08 |  | SHEET NUMBER    |  | 1 OF 6  |  |
| 0 PLACES  |  | ±                      |  | DRWN: EFLEE                  |  | 2012/05/09 |  | SERIES          |  | 78726   |  |
| DRAFT WHERE APPLICABLE MUST REMAIN WITHIN DIMENSIONS  |  | THIRD ANGLE PROJECTION |  | DRAWING                      |  | A3-SIZE    |  | DATE            |  | 2023/04/20                                      |  |



|   |       |                              |  |  |   |  |         |        |                 |                |
|---|-------|------------------------------|--|--|---|--|---------|--------|-----------------|----------------|
| THIS DRAWING CONTAINS INFORMATION THAT IS PROPRIETARY TO MOLEX ELECTRONIC TECHNOLOGIES, LLC AND SHOULD NOT BE USED WITHOUT WRITTEN PERMISSION |       |                              |  |  |   |  |         |        |                 |                |
| DIMENSION UNITS   | SCALE | CURRENT REV DESC: ADD OPTION |  |  |   |  |         |        |                 |                |
| mm  | NTS   | 78726-0081                   |  |  |   |  |         |        |                 |                |
| GENERAL TOLERANCES (UNLESS SPECIFIED)   |       |                              |  |  | EC NO: 744124<br>DRWN: LIMONL 2022/11/16<br>CHK'D: EKSOH 2023/04/10<br>APPR: CCTEH 2023/04/20 |  |         |        |                 |                |
| ANGULAR TOL ± 3.0°  |       |                              |  |  | PRODUCT CUSTOMER DRAWING  |  |         |        |                 |                |
| 4 PLACES ±  |       |                              |  |  | DOCUMENT NUMBER   |  |         |        |                 |                |
| 3 PLACES ±  |       |                              |  |  | SD-78726-002  |  |         |        |                 |                |
| 2 PLACES ± 0.2  |       |                              |  |  | DOC TYPE DOC PART REVISION  |  |         |        |                 |                |
| 1 PLACE ±   |       |                              |  |  | PSD 000 A8  |  |         |        |                 |                |
| 0 PLACES ±  |       |                              |  |  | INITIAL REVISION:   |  |         |        |                 |                |
| DRAFT WHERE APPLICABLE MUST REMAIN WITHIN DIMENSIONS  |       |                              |  |  | THIRD ANGLE PROJECTION  |  | DRAWING | SERIES | MATERIAL NUMBER | CUSTOMER       |
|   |       |                              |  |  |   |  | A3-SIZE | 78726  | SEE TABLE       | GENERAL MARKET |
|   |       |                              |  |  |   |  |         |        |                 | SHEET NUMBER   |
|   |       |                              |  |  |   |  |         |        |                 | 2 OF 6         |

|                 |    |              |            |          |
|-----------------|----|--------------|------------|----------|
| DOCUMENT STATUS | P1 | RELEASE DATE | 2023/04/20 | 09:01:41 |
|-----------------|----|--------------|------------|----------|





|   |       |                              |                         |        |   |                            |  |              |  |
|---|-------|------------------------------|-------------------------|--------|---|----------------------------|--|--------------|--|
| THIS DRAWING CONTAINS INFORMATION THAT IS PROPRIETARY TO MOLEX ELECTRONIC TECHNOLOGIES, LLC AND SHOULD NOT BE USED WITHOUT WRITTEN PERMISSION |       |                              |                         |        |   |                            |  |              |  |
| DIMENSION UNITS   | SCALE | CURRENT REV DESC: ADD OPTION |                         |        |   |                            |  |              |  |
| mm  | NTS   | 78726-0081                   |                         |        |   |                            |  |              |  |
| GENERAL TOLERANCES (UNLESS SPECIFIED)   |       |                              |                         |        | <b>DDR4 DIMM, 0.85MM PITCH</b><br><b>288CKTS, VERTICAL TH</b> |                            |  |              |  |
| ANGULAR TOL   | ±     | 3.0°                         | EC NO: 744124           |        |   | PRODUCT CUSTOMER DRAWING   |  |              |  |
| 4 PLACES  | ±     |                              | DRWN: LIMONL 2022/11/16 |        |   | DOCUMENT NUMBER            |  |              |  |
| 3 PLACES  | ±     |                              | CHK'D: EKSOH 2023/04/10 |        |   | SD-78726-002               |  |              |  |
| 2 PLACES  | ±     | 0.2                          | APPR: CTEH 2023/04/20   |        |   | DOC TYPE DOC PART REVISION |  |              |  |
| 1 PLACE   | ±     |                              | INITIAL REVISION:       |        |   | PSD 000 A8                 |  |              |  |
| 0 PLACES  | ±     |                              | DRWN: EFLEE 2012/03/08  |        |   | MATERIAL NUMBER            |  |              |  |
|   |       |                              | APPR: EKSOH 2012/05/09  |        |   | CUSTOMER                   |  |              |  |
| DRAFT WHERE APPLICABLE MUST REMAIN WITHIN DIMENSIONS  |       | THIRD ANGLE PROJECTION       | DRAWING                 | SERIES | MATERIAL NUMBER   | CUSTOMER                   |  | SHEET NUMBER |  |
|   |       |                              | A3-SIZE                 | 78726  | SEE TABLE   | GENERAL MARKET             |  | 4 OF 6       |  |

|                 |    |              |            |          |
|-----------------|----|--------------|------------|----------|
| DOCUMENT STATUS | P1 | RELEASE DATE | 2023/04/20 | 09:01:41 |
|-----------------|----|--------------|------------|----------|

| CKT SIZE   | ASSEMBLY PART NO. | HOUSING COLOR | LATCH COLOR | DIM "P" | RECOMMENDED PCB THICKNESS | PLATING OPTION                                     |  | PRODUCT SPEC. NO. | PACKAGING SPEC. NO. |
|------------|-------------------|---------------|-------------|---------|---------------------------|--|--|-------------------|---------------------|
|            |                   |               |             |         |                           | TERMINAL   | FORKLOCK   |                   |                     |
| 288        | 78726-1051        | BLACK         | BLACK       | 2.10    | 1.57                      | 0.76 MICROMETER (30 MICROINCH) MIN GOLD ON CONTACT | 1 MICROMETER (40 MICROINCH) MIN TIN OVERALL (PRE-PLATED) | PS-78726-001      | PK-78726-001        |
|            | 78726-1039        |               |             | 2.40    | 1.57                      |  |  |                   |                     |
|            | 78726-1002        |               |             | 2.67    | 1.57                      |  |  |                   |                     |
|            | 78726-1003        |               |             | 3.18    | 2.36                      |  |  |                   |                     |
|            | 78726-1026        |               |             | 3.50    | 3.00                      |  |  |                   |                     |
|            | 78726-1052        | BLACK         | WHITE       | 2.10    | 1.57                      |  |  |                   |                     |
|            | 78726-1040        |               |             | 2.40    | 1.57                      |  |  |                   |                     |
|            | 78726-1004        |               |             | 2.67    | 1.57                      |  |  |                   |                     |
|            | 78726-1005        |               |             | 3.18    | 2.36                      |  |  |                   |                     |
|            | 78726-1027        |               |             | 3.50    | 3.00                      |  |  |                   |                     |
|            | 78726-1053        | WHITE         | BLACK       | 2.10    | 1.57                      |  |  |                   |                     |
|            | 78726-1041        |               |             | 2.40    | 1.57                      |  |  |                   |                     |
|            | 78726-1006        |               |             | 2.67    | 1.57                      |  |  |                   |                     |
|            | 78726-1007        |               |             | 3.18    | 2.36                      |  |  |                   |                     |
|            | 78726-1028        |               |             | 3.50    | 3.00                      |  |  |                   |                     |
|            | 78726-1054        | WHITE         | WHITE       | 2.10    | 1.57                      |  |  |                   |                     |
|            | 78726-1042        |               |             | 2.40    | 1.57                      |  |  |                   |                     |
|            | 78726-1008        |               |             | 2.67    | 1.57                      |  |  |                   |                     |
|            | 78726-1009        |               |             | 3.18    | 2.36                      |  |  |                   |                     |
|            | 78726-1029        |               |             | 3.50    | 3.00                      |  |  |                   |                     |
|            | 78726-1055        | BLUE          | BLUE        | 2.10    | 1.57                      |  |  |                   |                     |
|            | 78726-1043        |               |             | 2.40    | 1.57                      |  |  |                   |                     |
|            | 78726-1010        |               |             | 2.67    | 1.57                      |  |  |                   |                     |
|            | 78726-1011        |               |             | 3.18    | 2.36                      |  |  |                   |                     |
|            | 78726-1030        |               |             | 3.50    | 3.00                      |  |  |                   |                     |
|            | 78726-1056        | BLUE          | WHITE       | 2.10    | 1.57                      |  |  |                   |                     |
|            | 78726-1044        |               |             | 2.40    | 1.57                      |  |  |                   |                     |
|            | 78726-1022        |               |             | 2.67    | 1.57                      |  |  |                   |                     |
|            | 78726-1023        |               |             | 3.18    | 2.36                      |  |  |                   |                     |
|            | 78726-1031        |               |             | 3.50    | 3.00                      |  |  |                   |                     |
|            | 78726-1063        | YELLOW        | WHITE       | 2.10    | 1.57                      |  |  |                   |                     |
|            | 78726-1064        |               |             | 2.40    | 1.57                      |  |  |                   |                     |
| 78726-1065 | 2.67              |               |             | 1.57    |                           |  |  |                   |                     |
| 78726-1066 | 3.18              |               |             | 2.36    |                           |  |  |                   |                     |
| 78726-1067 | 3.50              |               |             | 3.00    |                           |  |  |                   |                     |
| 78726-0081 | BLACK             | BLACK         | 3.18        | 2.36    |                           |  |  |                   |                     |
| 78726-3005 |                   | WHITE         | 3.18        | 2.36    |                           |  |  |                   |                     |
| 78726-3052 |                   | 2.10          | 1.57        |         |                           |  |  |                   |                     |
| 78726-4039 |                   | BLACK         | 2.40        | 1.57    |                           |  |  |                   |                     |
| 78726-4040 |                   | WHITE         | 2.40        | 1.57    |                           |  |  |                   |                     |

|   |        |                              |         |        |   |                |          |              |          |
|---|--------|------------------------------|---------|--------|---|----------------|----------|--------------|----------|
| THIS DRAWING CONTAINS INFORMATION THAT IS PROPRIETARY TO MOLEX ELECTRONIC TECHNOLOGIES, LLC AND SHOULD NOT BE USED WITHOUT WRITTEN PERMISSION |        |                              |         |        |   |                |          |              |          |
| DIMENSION UNITS   | SCALE  | CURRENT REV DESC: ADD OPTION |         |        | <b>molex</b>                                    |                |          |              |          |
| mm  | NTS    | 78726-0081                   |         |        |   |                |          |              |          |
| GENERAL TOLERANCES (UNLESS SPECIFIED)   |        | EC NO: 744124                |         |        | DDR4 DIMM, 0.85MM PITCH<br>288CKTS, VERTICAL TH |                |          |              |          |
| ANGULAR TOL   | ± 3.0° | DRWN: LIMONL 2022/11/16      |         |        |   |                |          |              |          |
| 4 PLACES  | ±      | CHK'D: EKSOH 2023/04/10      |         |        |   |                |          |              |          |
| 3 PLACES  | ±      | APPR: CTEH 2023/04/20        |         |        |   |                |          |              |          |
| 2 PLACES  | ± 0.2  | INITIAL REVISION:            |         |        | PRODUCT CUSTOMER DRAWING                        |                |          |              |          |
| 1 PLACE   | ±      | DRWN: EFLEE 2012/03/08       |         |        | DOCUMENT NUMBER                                 |                | DOC TYPE | DOC PART     | REVISION |
| 0 PLACES  | ±      | APPR: EKSOH 2012/05/09       |         |        | SD-78726-002                                    |                | PSD      | 000          | A8       |
| DRAFT WHERE APPLICABLE MUST REMAIN WITHIN DIMENSIONS  |        | THIRD ANGLE PROJECTION       | DRAWING | SERIES | MATERIAL NUMBER                                 | CUSTOMER       |          | SHEET NUMBER |          |
|   |        |                              | A3-SIZE | 78726  | SEE TABLE                                       | GENERAL MARKET |          | 5 OF 6       |          |

| CKT SIZE   | ASSEMBLY PART NO. | HOUSING COLOR | LATCH COLOR | DIM "P" | RECOMMENDED PCB THICKNESS | PLATING OPTION                                     |  | PRODUCT SPEC. NO. | PACKAGING SPEC. NO. |
|------------|-------------------|---------------|-------------|---------|---------------------------|--|--|-------------------|---------------------|
|            |                   |               |             |         |                           | TERMINAL   | FORKLOCK   |                   |                     |
| 288        | 78726-1057        | BLACK         | BLACK       | 2.10    | 1.57                      | 0.38 MICROMETER (15 MICROINCH) MIN GOLD ON CONTACT | 1 MICROMETER (40 MICROINCH) MIN TIN OVERALL (PRE-PLATED) | PS-78726-002      | PK-78726-001        |
|            | 78726-1045        |               |             | 2.40    | 1.57                      |  |  |                   |                     |
|            | 78726-1012        |               |             | 2.67    | 1.57                      |  |  |                   |                     |
|            | 78726-1013        |               |             | 3.18    | 2.36                      |  |  |                   |                     |
|            | 78726-1032        |               |             | 3.50    | 3.00                      |  |  |                   |                     |
|            | 78726-1058        | BLACK         | WHITE       | 2.10    | 1.57                      |  |  |                   |                     |
|            | 78726-1046        |               |             | 2.40    | 1.57                      |  |  |                   |                     |
|            | 78726-1014        |               |             | 2.67    | 1.57                      |  |  |                   |                     |
|            | 78726-1015        |               |             | 3.18    | 2.36                      |  |  |                   |                     |
|            | 78726-1033        |               |             | 3.50    | 3.00                      |  |  |                   |                     |
|            | 78726-1059        | WHITE         | BLACK       | 2.10    | 1.57                      |  |  |                   |                     |
|            | 78726-1047        |               |             | 2.40    | 1.57                      |  |  |                   |                     |
|            | 78726-1016        |               |             | 2.67    | 1.57                      |  |  |                   |                     |
|            | 78726-1017        |               |             | 3.18    | 2.36                      |  |  |                   |                     |
|            | 78726-1034        | WHITE         | WHITE       | 3.50    | 3.00                      |  |  |                   |                     |
|            | 78726-1060        |               |             | 2.10    | 1.57                      |  |  |                   |                     |
|            | 78726-1048        |               |             | 2.40    | 1.57                      |  |  |                   |                     |
|            | 78726-1018        |               |             | 2.67    | 1.57                      |  |  |                   |                     |
|            | 78726-1019        |               |             | 3.18    | 2.36                      |  |  |                   |                     |
|            | 78726-1035        | BLUE          | BLUE        | 3.50    | 3.00                      |  |  |                   |                     |
|            | 78726-1061        |               |             | 2.10    | 1.57                      |  |  |                   |                     |
|            | 78726-1049        |               |             | 2.40    | 1.57                      |  |  |                   |                     |
|            | 78726-1020        |               |             | 2.67    | 1.57                      |  |  |                   |                     |
|            | 78726-1021        |               |             | 3.18    | 2.36                      |  |  |                   |                     |
|            | 78726-1036        | BLUE          | WHITE       | 3.50    | 3.00                      |  |  |                   |                     |
|            | 78726-1062        |               |             | 2.10    | 1.57                      |  |  |                   |                     |
|            | 78726-1050        |               |             | 2.40    | 1.57                      |  |  |                   |                     |
|            | 78726-1024        |               |             | 2.67    | 1.57                      |  |  |                   |                     |
|            | 78726-1025        |               |             | 3.18    | 2.36                      |  |  |                   |                     |
|            | 78726-1037        | YELLOW        | WHITE       | 3.50    | 3.00                      |  |  |                   |                     |
|            | 78726-1068        |               |             | 2.10    | 1.57                      |  |  |                   |                     |
|            | 78726-1069        |               |             | 2.40    | 1.57                      |  |  |                   |                     |
|            | 78726-1070        |               |             | 2.67    | 1.57                      |  |  |                   |                     |
|            | 78726-1071        |               |             | 3.18    | 2.36                      |  |  |                   |                     |
|            | 78726-1072        | BLACK         | BLACK       | 3.50    | 3.00                      |  |  |                   |                     |
|            | 78726-3012        |               |             | 2.10    | 1.57                      |  |  |                   |                     |
| 78726-3032 | 2.40              |               |             | 1.57    |                           |  |  |                   |                     |
| 78726-3020 | 2.67              |               |             | 1.57    |                           |  |  |                   |                     |
| 78726-3036 | 3.18              |               |             | 2.36    |                           |  |  |                   |                     |
|            | 78726-3020        | BLUE          | BLUE        | 2.67    | 1.57                      |  |  |                   |                     |
|            | 78726-3036        |               |             | 3.18    | 2.36                      |  |  |                   |                     |

0.38 MICROMETER (15 MICROINCH) MIN GOLD ON CONTACT

2.54 MICROMETER (100 MICROINCH) MIN TIN ON SOLDER TAILS

1.27 MICROMETER (50 MICROINCH) MIN NICKEL UNDERPLATE

|   |        |                              |         |        |   |                |          |              |          |
|---|--------|------------------------------|---------|--------|---|----------------|----------|--------------|----------|
| THIS DRAWING CONTAINS INFORMATION THAT IS PROPRIETARY TO MOLEX ELECTRONIC TECHNOLOGIES, LLC AND SHOULD NOT BE USED WITHOUT WRITTEN PERMISSION |        |                              |         |        |   |                |          |              |          |
| DIMENSION UNITS   | SCALE  | CURRENT REV DESC: ADD OPTION |         |        | <b>molex</b>                                    |                |          |              |          |
| mm  | NTS    | 78726-0081                   |         |        |   |                |          |              |          |
| GENERAL TOLERANCES (UNLESS SPECIFIED)   |        | EC NO: 744124                |         |        | DDR4 DIMM, 0.85MM PITCH<br>288CKTS, VERTICAL TH |                |          |              |          |
| ANGULAR TOL   | ± 3.0° | DRWN: LIMONL 2022/11/16      |         |        |   |                |          |              |          |
| 4 PLACES  | ±      | CHK'D: EKSOH 2023/04/10      |         |        |   |                |          |              |          |
| 3 PLACES  | ±      | APPR: CTEH 2023/04/20        |         |        |   |                |          |              |          |
| 2 PLACES  | ± 0.2  | INITIAL REVISION:            |         |        | PRODUCT CUSTOMER DRAWING                        |                |          |              |          |
| 1 PLACE   | ±      | DRWN: EFLEE 2012/03/08       |         |        | DOCUMENT NUMBER                                 |                | DOC TYPE | DOC PART     | REVISION |
| 0 PLACES  | ±      | APPR: EKSOH 2012/05/09       |         |        | SD-78726-002                                    |                | PSD      | 000          | A8       |
| DRAFT WHERE APPLICABLE MUST REMAIN WITHIN DIMENSIONS  |        | THIRD ANGLE PROJECTION       | DRAWING | SERIES | MATERIAL NUMBER                                 | CUSTOMER       |          | SHEET NUMBER |          |
|   |        |                              | A3-SIZE | 78726  | SEE TABLE                                       | GENERAL MARKET |          | 6 OF 6       |          |