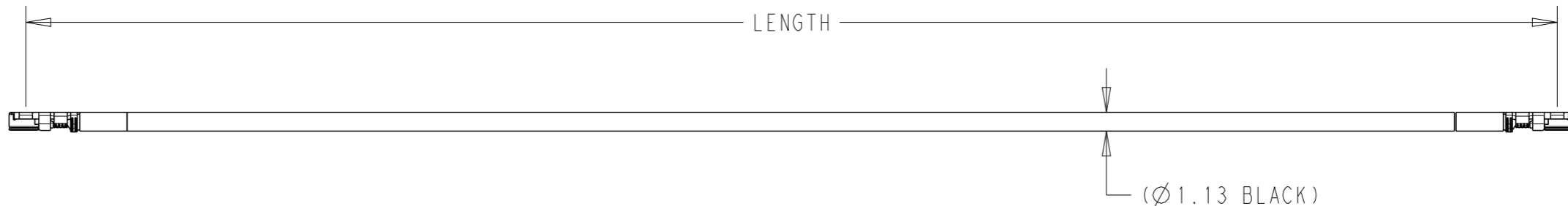
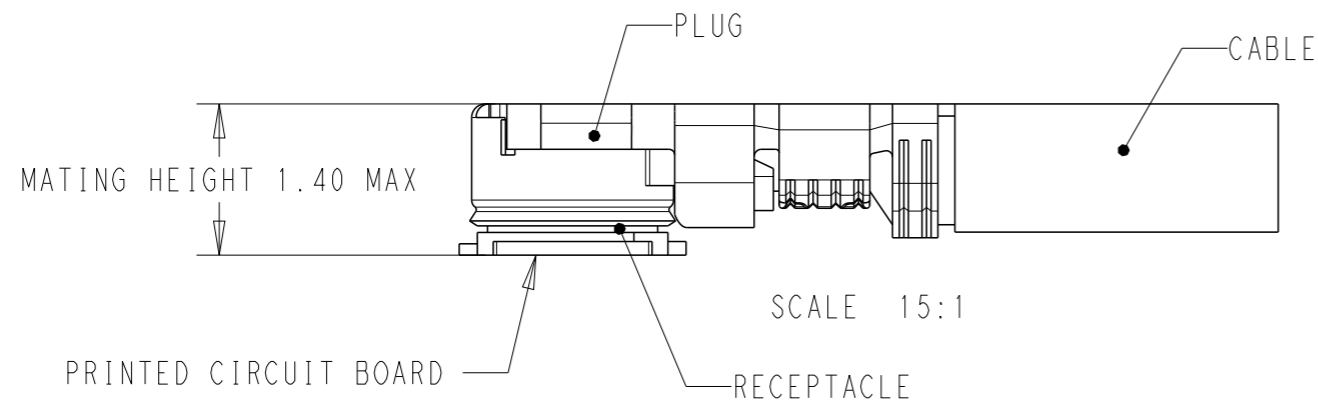


P	LTR	DESCRIPTION	DATE	DWN	APVD
	A1	ECR-22-132690	16MAR2022	JZ	WKH



- NOTES:
- MATERIAL AND PROCESSING MUST MEET REQUIREMENTS OF TEC-138-702
 - UMCC GEN4 MATING HEIGHT AS SHOW, NO MORE THAN 1.40MM
 - PRODUCT RATING:
 TEMPERATURE: -45°C TO +85°C
 VOLTAGE: 30V (RMS)
 CHARACTERISTIC IMPEDANCE: 50 OHMS Normal
 FREQUENCY RANGE: DC TO 9GHz
 BEND RADIUS: 5MM MIN
 - CABLE ASSEMBLY TO BE 100% OPEN & SHORT TESTED
 - UMCC GEN4 CAN MATE WITH I-PEX MHF4L AND HIROSE W.FL SERIES

1-2016698-6	200±3
1-2016698-5	460±3
1-2016698-4	250±3
1-2016698-3	150±3
1-2016698-2	100±3
1-2016698-1	55±3
1-2016698-0	45±3
2016698-9	1020±5
2016698-8	920±5
2016698-7	720±5
2016698-6	620±3
2016698-5	520±3
2016698-4	420±3
2016698-3	320±3
2016698-2	220±3
2016698-1	120±3
PART NUMBER	LENGTH

THIS DRAWING IS A CONTROLLED DOCUMENT.		DWN Julia ZHU 06MAY2021		
DIMENSIONS: mm		CHK Wenke He 12MAY2021		
TOLERANCES UNLESS OTHERWISE SPECIFIED:		APVD -	NAME RF CA, UMCC GEN4-GEN4, 1.13MM CABLE	
0 PLC ±-		PRODUCT SPEC -	-	
1 PLC ±-		APPLICATION SPEC -	-	
2 PLC ±-		WEIGHT -	SIZE A3	CAGE CODE 00779
3 PLC ±-		CUSTOMER DRAWING	DRAWING NO C-2016698	
4 PLC ±-			SCALE 1:1	SHEET 1 OF 1
ANGLES ±-				REV A1
FINISH -				