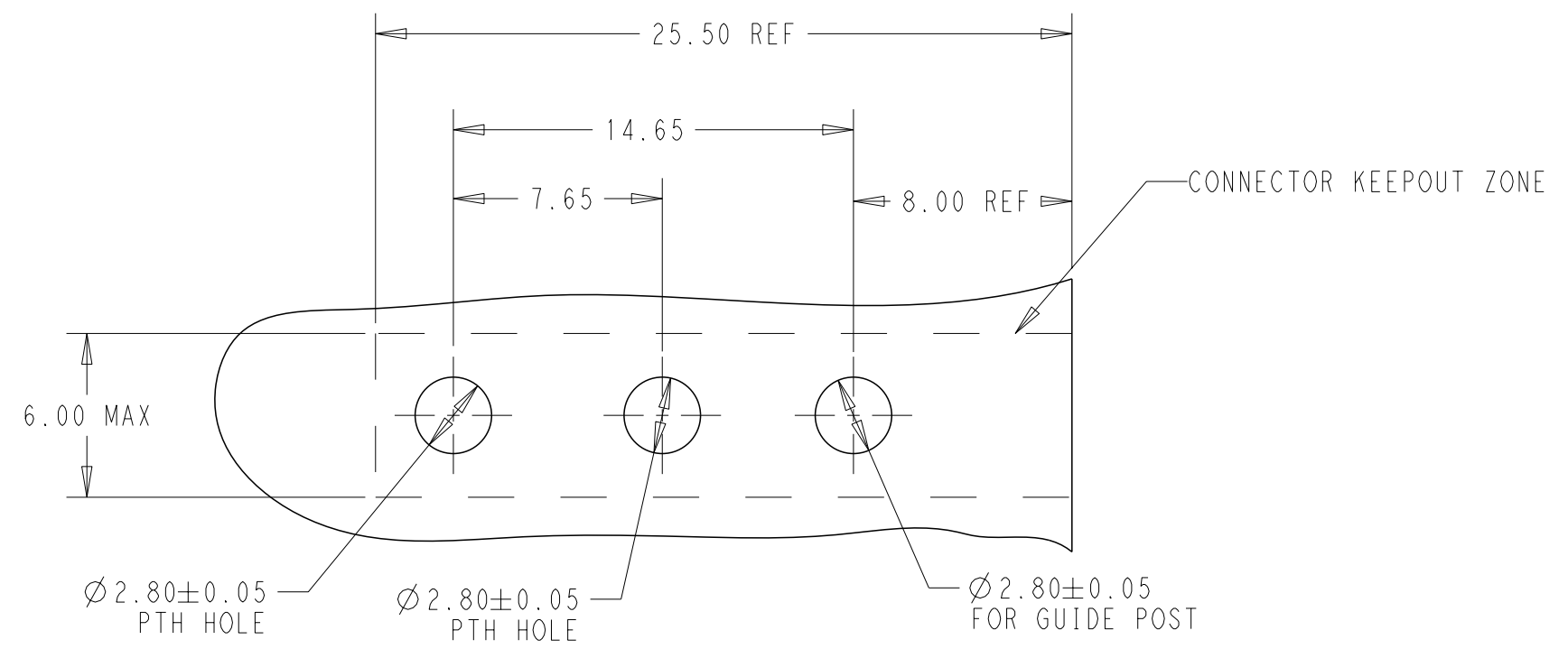
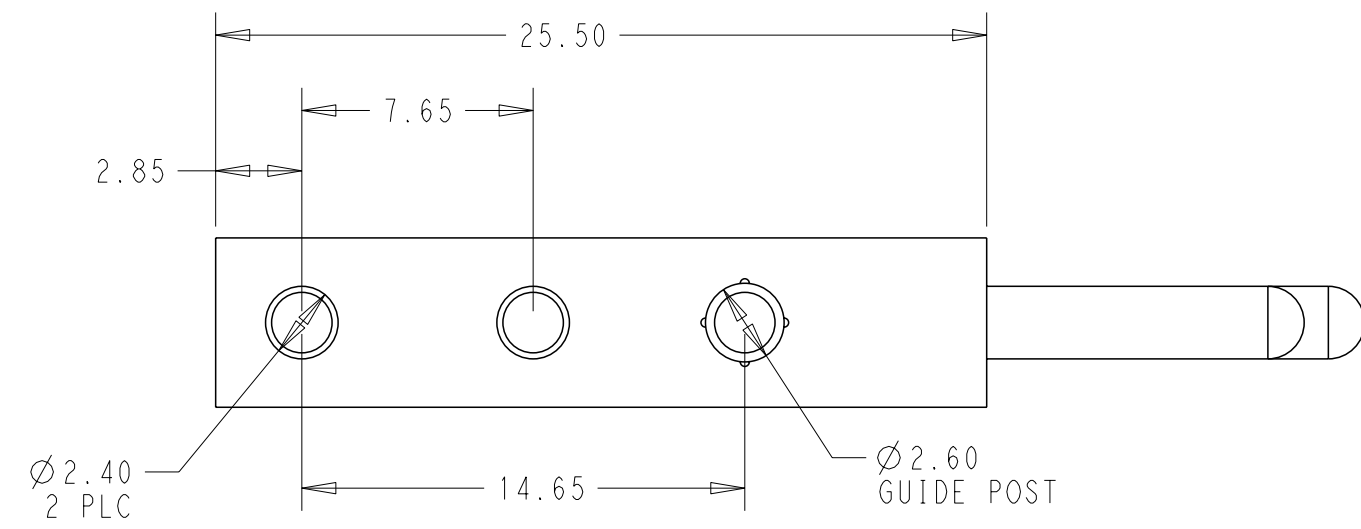
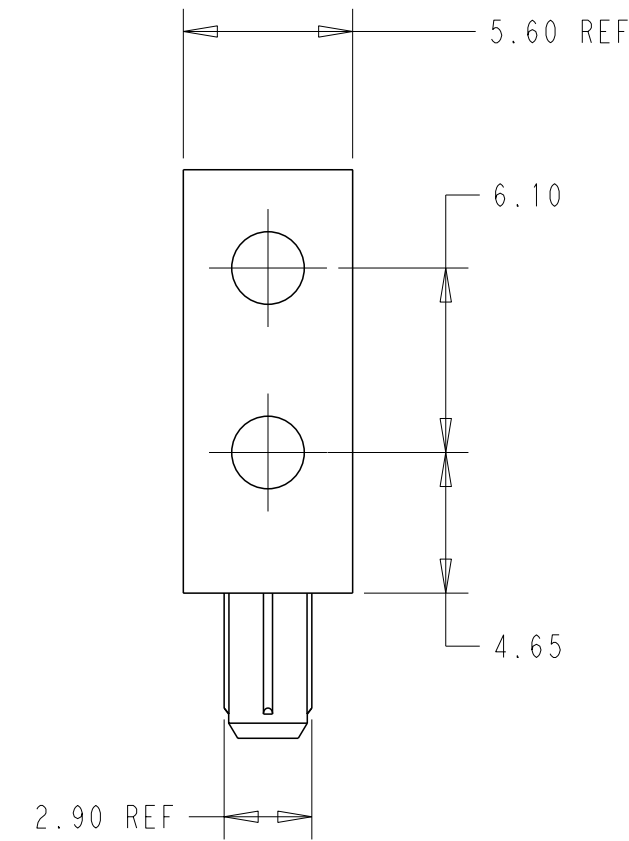
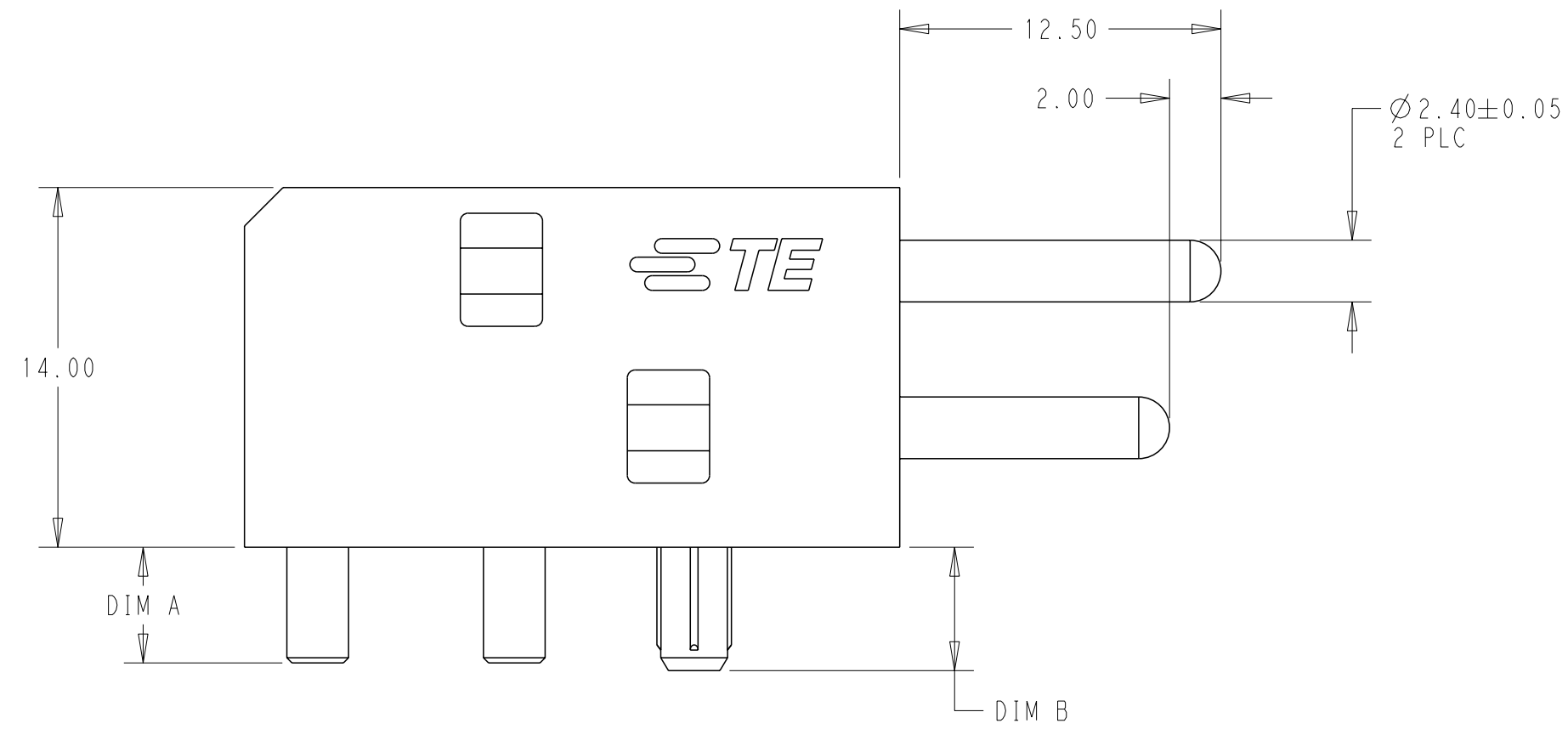


REVISIONS

P	LTR	DESCRIPTION	DATE	DWN	APVD
2		ENHANCE PIN LENGTH AND ADD PART	18MAY2020	AL	SZ
3		ADD HOUSING CORE-OUT FEATURE	08JUL2020	AL	SZ
A		RELEASE TO A VERSION	18FEB2021	AL	SH



NOTES:

- 1 MATERIAL: THERMO-PLASTIC FOR OUTER HOUSING AND COPPER ALLOY FOR OTHER COMPONENTS.
- 2 FINISH: SILVER PLATE OVER NICKLE PLATE
- 3 TAIL LENGTH 4.5mm FOR 4.1mm THICKNESS PCB, AND 3.0mm FOR 2.5mm THICKNESS PCB.
- 4 CONNECTOR FIT FOR PIP MOUNT PROCESS

3.30	3.00	1-2367215-2
4.80	4.50	1-2367215-1
DIM B	DIM A	PART NUMBER

THIS DRAWING IS A CONTROLLED DOCUMENT.		DWN ANDY LI	16APR2020		
DIMENSIONS: mm		CHK -	-		
TOLERANCES UNLESS OTHERWISE SPECIFIED:		APVD SUNY ZHAO	16APR2020	NAME PIN SIZE 2.4mm, PIN ICCON SLIM DUAL	
0 PLC ±		PRODUCT SPEC 108-128111	-	SIZE	
1 PLC ±0.3		APPLICATION SPEC 114-128112	-	CAGE CODE A200779	DRAWING NO C-1-2367215-1
2 PLC ±0.2		WEIGHT -	-	RESTRICTED TO -	SCALE 4:1
3 PLC ±0.1		CUSTOMER DRAWING	-	SHEET 1	OF 1
4 PLC ±0.0001				REV A	
ANGLES ±					
FINISH					