

Specifications:

Current Rating:1.0A AC/DC

Voltage Rating:30V AC/DC

Contact Resistance:20m Ohm Max

Insulation Resistance:1,000M Ohm Min

Withstanding Voltage:750V AC/Minute

Temperature Range:-40°C ~ +105°C

Materials and Finish:

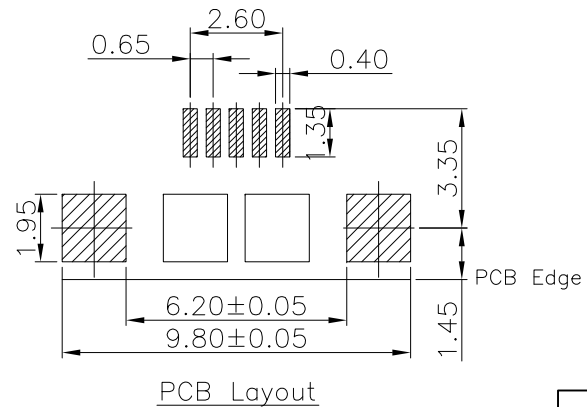
Insulator:LCP(UL94V-0)

Insulator Color:Black

Contact:Brass

Plating:30u" Gold Plated on Contact Area,Tin Plated on Solder Tail.

Shell:Brass,Nickel Plated



RoHS Compliant

REV	DATE	FILE	BY

DRAWN:
CHECKED:
APPROVAL:

GENERAL TOLERANCE: .X=±0.20 .XX=±0.15
UNIT: MM
SCALE:1:1
SHEET: 1 / 2
PROJECTION:

CnC Tech Industrial Cable and Connector Technology	
DESCRIPTION: Micro USB B Socket 5Pin SMD Type, 30u"	SIZE A4
PART NO: 1002-005-12100-TR	

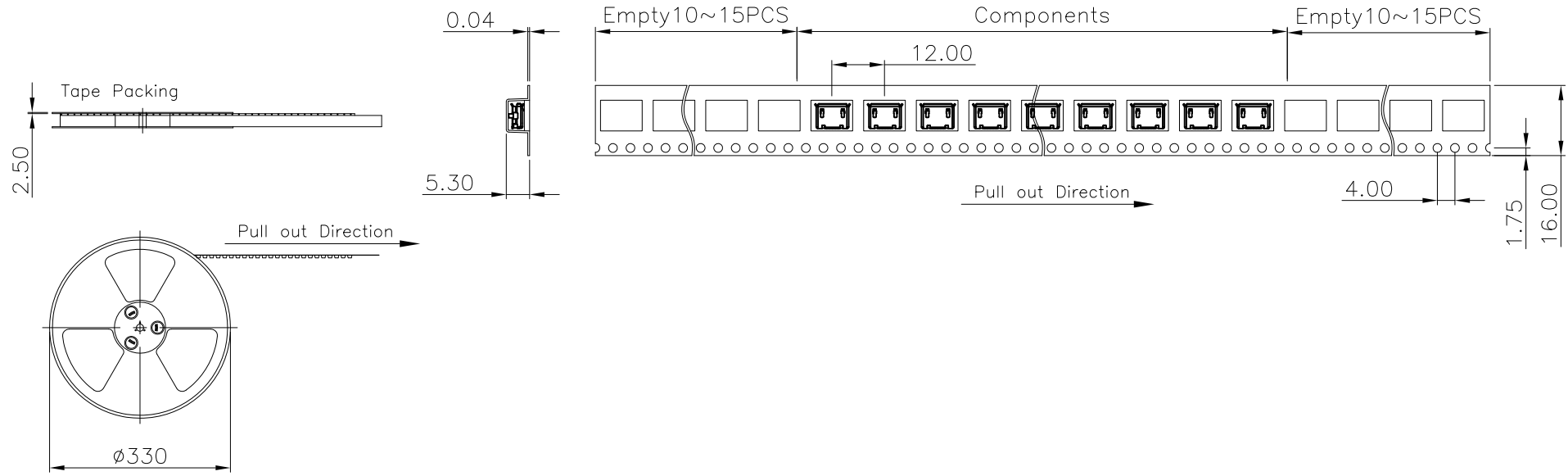
1

2

3

4

5



Note:

- 1.All dimensions meet EIA-481-B Requirements.
- 2.Material:Black Polystyrene
- 3.Thickness:0.40±0.05mm
- 4.Component load per 13" reel :1000 pcs.
- 5.Carton Size:350*350*296(mm)

Pin No	PCS/R	R/CTN	Q'TY
05	1000	10	10000

RoHS Compliant

				DRAWN:	GENERAL TOLERANCE: .X=±0.20 .XX=±0.15	<h1 style="color: red; text-align: center;">CnC Tech</h1> <p style="text-align: center;">Industrial Cable and Connector Technology</p>	
				CHECKED:			
					SCALE:1:1	Micro USB B Socket 5Pin SMD Type, 30u"	SIZE
				APPROVAL:	SHEET: 2 / 2		PART NO:
REV	DATE	FILE	BY		PROJECTION:	1002-005-12100-TR	

