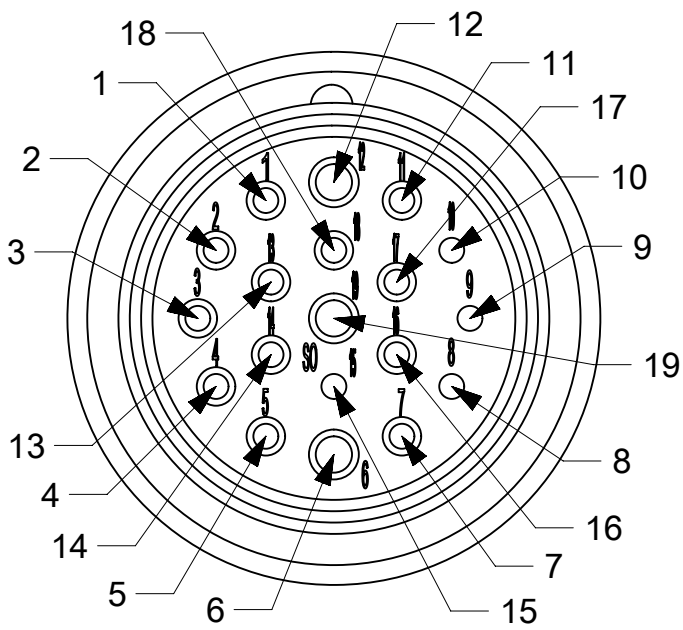
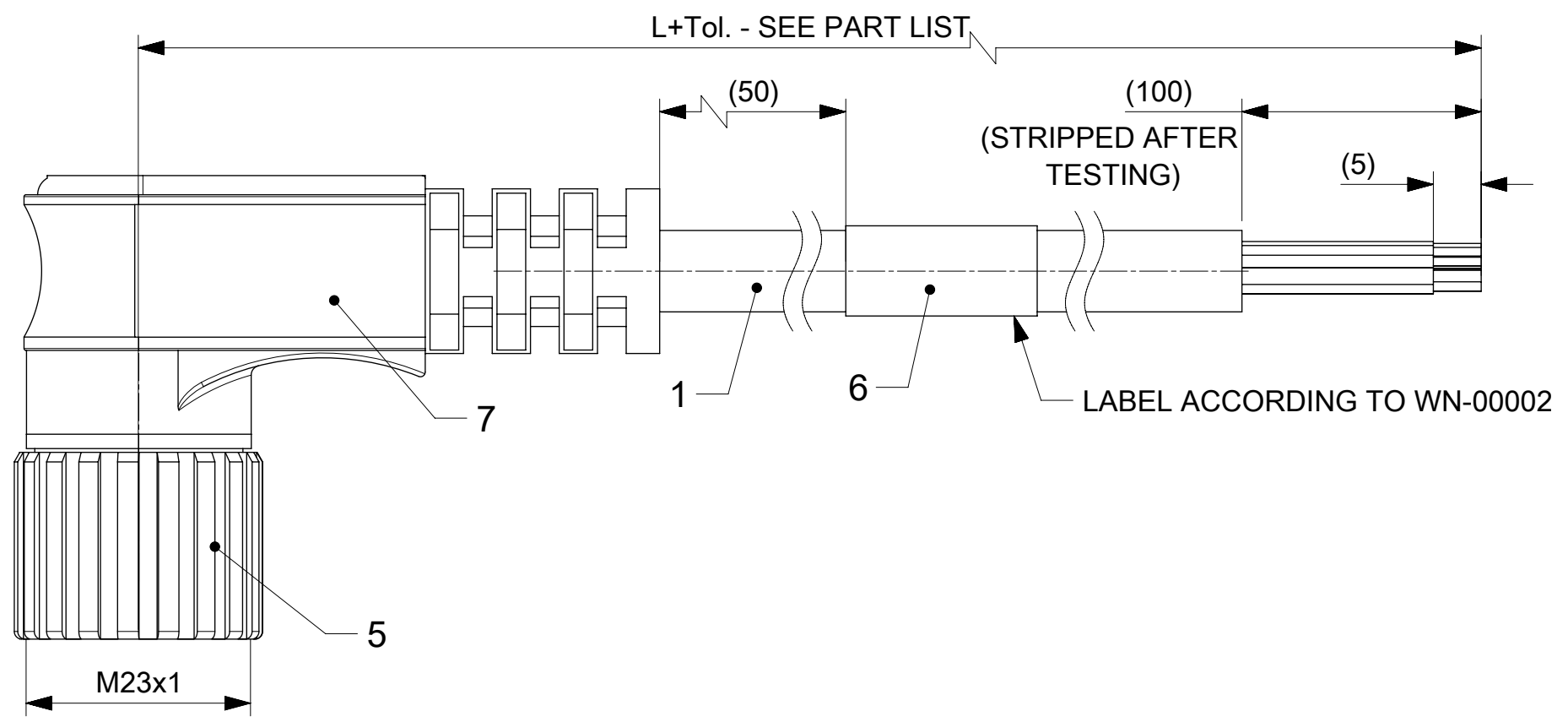


M23 19 POLE FEMALE



Pin	Wire color
1	VT
2	RD
3	GY
4	RD-BU
5	GN
6	BU
7	GY-PK
8	WH-GN
9	WH-YE
10	WH-GY
11	BK
12	GN-YE
13	YE-BN
14	BN-GN
15	WH
16	YE
17	PK
18	GY-BN
19	BN

VIEW FROM THE FRONT SIDE

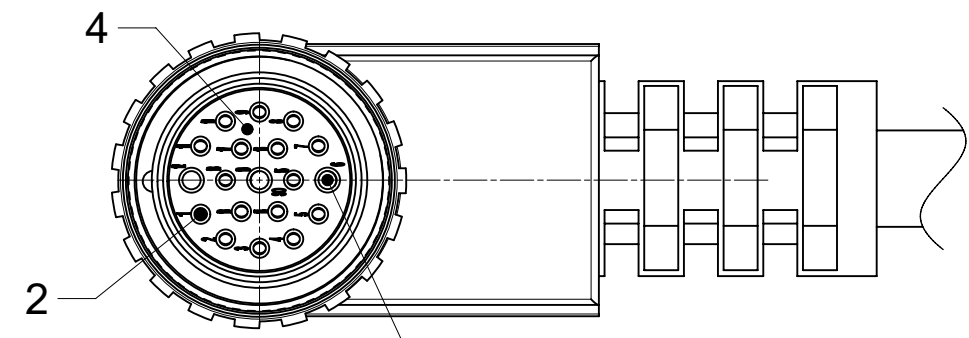


M23x1

LABEL ACCORDING TO WN-00002

WIRING DIAGRAM

1	VIOLET
2	RED
3	GREY
4	RED-BLUE
5	GREEN
6	BLUE
7	GREY-PINK
8	WHITE-GREEN
9	WHITE-YELLOW
10	WHITE-GREY
11	BLACK
12	GREEN-YELLOW
13	YELLOW-BROWN
14	BROWN-GREEN
15	WHITE
16	YELLOW
17	PINK
18	GREY-BROWN
19	BROWN



VIEW FROM THE FRONT SIDE

BOM

ITEM	QTY	DESCRIPTION	MATERIAL FINISH
7	-	MOULDING	TPU
6	1	LABEL	VINYL
5	1	COUPLING NUT M23 FE	BRASS
4	1	INSERT 19P FE	PUR
3	3	CONTACT FE	BRASS
2	16	CONTACT 10 FE	COPPER
1	-	CABLE	PUR

THIS DRAWING CONTAINS INFORMATION THAT IS PROPRIETARY TO MOLEX ELECTRONIC TECHNOLOGIES, LLC AND SHOULD NOT BE USED WITHOUT WRITTEN PERMISSION

DIMENSION UNITS mm	SCALE 1.5:1	CURRENT REV DESC: OBSOLETE PART NUMBERS AS PER PCN#506884	molex		
GENERAL TOLERANCES (UNLESS SPECIFIED)					
ANGULAR TOL	± °	EC NO: 662770	PRODUCT CUSTOMER DRAWING		
4 PLACES	±	DRWN: SUGEEB	2021/03/02	DOCUMENT NUMBER	
3 PLACES	±	CHK'D: GGA	2021/06/02	1200940044	DOC TYPE
2 PLACES	± 0.05	APPR: GGA	2021/06/02	PSD	DOC PART
1 PLACE	± 0.1	INITIAL REVISION:	2019/06/03	000	REVISION
0 PLACES	±	DRWN: MDHARMANTI	2019/06/06	A1	
DRAFT WHERE APPLICABLE MUST REMAIN WITHIN DIMENSIONS		THIRD ANGLE PROJECTION	DRAWING	SERIES	MATERIAL NUMBER
			A3-SIZE	120094	CUSTOMER
					GENERAL MARKET
					SHEET NUMBER
					1 OF 2

PART No MATRIX

K 0 3 0 0 1 P 8 0 M X X X

K0=M23x1 SINGLE ENDED

POLES:
3=19 POLES

HEAD STYLE:
001=FEMALE

CABLE TYPE:
P80=3x0,75+16x0,34 PUR BLACK

UNIT:
M=METER

LENGHT -
EXAMPLE:
010=1m
050=5m
100=10m

**CABLE SPECIFICATION
FOR CABLE TYPE P80 :**

CONDUCTOR A:
MATERIAL: BARE COPPER
SECTION: 0.75mm²/19AWG
STRANDING: 42X0.15mm

INSULATION A:
COMPOUND: PVC
DIAMETER: 2.0 ±0.10mm

CONDUCTOR B:
MATERIAL: BARE COPPER
SECTION:- 0.34mm²/22AWG
INSULATION B:

COMPOUND: PVC
DIAMETER: 1.55 ±0.10mm

JACKET:
COMPOUND: BLEND PUR
COLOR: BLACK
DIAMETER: 11.40 ±0.25mm
TEMPERATURE RANGE:
STATIC: -5°C TO +90°C
DINAMIC: -30°C TO +90°C
VOLTAGE RATING: 300V


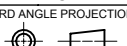
NOTES:

VOLTAGE RATING : 63V AC/DC
AMPERAGE RATING : 6.0 A
PROTECTION CLASS : IP67
OPERATING TEMPERATURE : -25° TO 90°C
UL CERTIFICATIONS : NOT APPLICABLE
CSA CERTIFICATIONS : NOT APPLICABLE

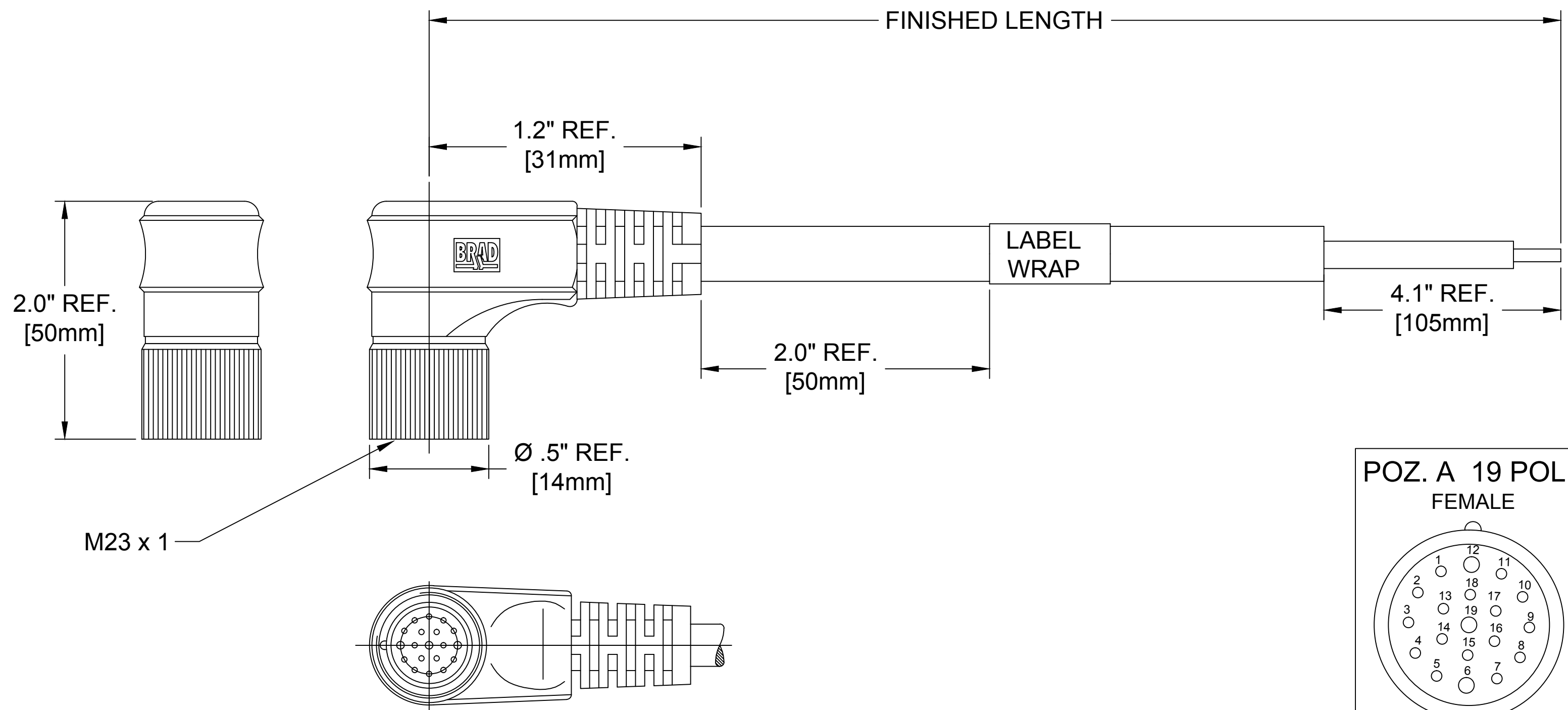
PART LIST

MOLEX PN	ENGINEERING No	L [mm]
1200940044	K03001P80M100	10000
1200945017	K03001P80M200	20000
1200945027	K03001P80M050	5000
1200945028	K03001P80M150	15000
1200948061	K03001P80M300	30000
1200948105	K03001P80M250	25000
1200948116	K03001P80M350	35000

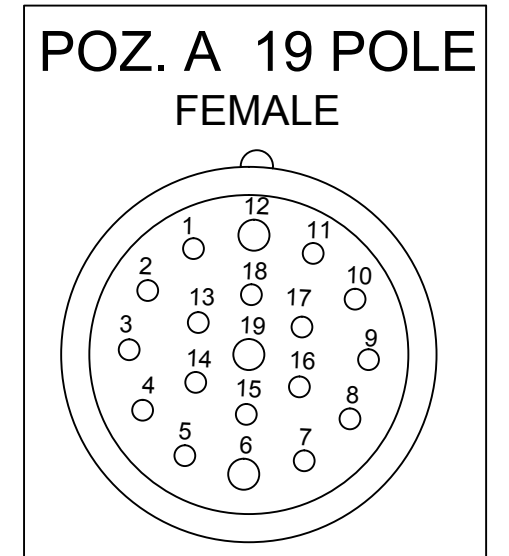
CABLE LENGTH TOLERANCES		
OVER [mm]	UP TO AND INCLUDING [mm]	TOLERANCES [mm]
0	305	+19
305	915	+45
915	1830	+56
1830	3660	+89
3660	7320	+165
7320	14640	+317
14640	30500	+610
30500	>	+2% OF FINISHED LENGTH

THIS DRAWING CONTAINS INFORMATION THAT IS PROPRIETARY TO MOLEX ELECTRONIC TECHNOLOGIES, LLC AND SHOULD NOT BE USED WITHOUT WRITTEN PERMISSION											
DIMENSION UNITS	SCALE	CURRENT REV DESC: OBSOLETE PART NUMBERS AS PER PCN#506884									
mm	1:1	 CSE M23 19P SC FE RA PUR BK XM									
GENERAL TOLERANCES (UNLESS SPECIFIED)											
ANGULAR TOL	± °	EC NO: 662770									
4 PLACES	±	DRWN: SUGEEB				2021/03/02					
3 PLACES	±	CHK'D: GGA				2021/06/02					
2 PLACES	± 0.05	APPR: GGA				2021/06/02					
1 PLACE	± 0.1	INITIAL REVISION:									
0 PLACES	±	DRWN: MDHARMANTI				2019/06/03					
DRAFT WHERE APPLICABLE MUST REMAIN WITHIN DIMENSIONS		THIRD ANGLE PROJECTION		DRAWING	SERIES	MATERIAL NUMBER	CUSTOMER	DOCUMENT NUMBER	DOC TYPE	DOC PART	REVISION
				A3-SIZE	120094	SEE TABLE	GENERAL MARKET	1200940044	PSD	000	A1
											SHEET NUMBER
											2 OF 2

13	12	11	10	9	8	7	6	5	4	3	2	1
MATERIAL NUMBER		OLD PART NUMBER		FINISHED LENGTH								
1200948027		K03201P80M100		10M +317.5mm -0 [32.8FT. +12.5IN -0]								



FRONT VIEW



Pin	Kolor przew.	Wire color
1	Terminal	-
2	RED	
3	GRAY	
4	RED/BLUE	
5	GREEN	
6	BLUE	
7	GRAY/PINK	
8	WHITE/GREEN	
9	WHITE/YELLOW	
10	Terminal	-
11	Terminal	-
12	GREEN/YELLOW	
13	YELLOW/BROWN	
14	BROWN/GREEN	
15	WHITE	
16	YELLOW	
17	PINK	
18	Terminal	-
19	BROWN	

K03201P80M100

cable type
BLACK PUR

cable length
100----10 Meter

SPECIFICATION DATA

VOLTAGE RATING	63V AC/DC
AMPERAGE RATING	6 AMPS
PROTECTION CLASS	IP67
OPERATING TEMPERATURE	-25°C TO 90°C

COMPONENT	MATERIAL	FINISH
INSERT	PUR	BLACK
CONTACT	COPPER ALLOY	GOLD OVER NICKEL
COUPLING NUT	BRASS	NICKEL PLATED
OVERMOLD	TPU	BLACK
CABLE		
#18/3 AWG	PUR	BLACK
#22/4 AWG		

RELEASE EC NO.: IFC2014-0577 DRWN: GGUSTAFS 2013/09/16 CH'KD: BARDEN APPR: BWOODMAN2013/10/31	QUALITY SYMBOL ▽=0 C=0	GENERAL TOLERANCES (UNLESS SPECIFIED)		DIMENSION STYLE	SCALE	DESIGN UNITS	THIRD ANGLE PROJECTION		
		mm	INCH	IN/MM	NTS	INCH			
		4 PLACES	±---	±---	DRAWN BY	DATE	TITLE	M23-19P-15W-FE-90 BLACK PUR ----	
		3 PLACES	±---	±.005	GGUSTAFS	2013/09/16			
2 PLACES	±0.13	±.010	CHECKED BY	DATE		MOLEX INCORPORATED SD-120094-011			
1 PLACE	±0.25	±.020	BARDEN	2013/11/25					
ANGULAR ±.5°		DRAFT WHERE APPLICABLE MUST REMAIN WITHIN DIMENSIONS		APPROVED BY	DATE	MATERIAL NO.	SHEET NO.		
				BWOODMAN	2013/10/31	SEE CHART	1 OF 1		
				THIS DRAWING CONTAINS INFORMATION THAT IS PROPRIETARY TO MOLEX INCORPORATED AND SHOULD NOT BE USED WITHOUT WRITTEN PERMISSION					