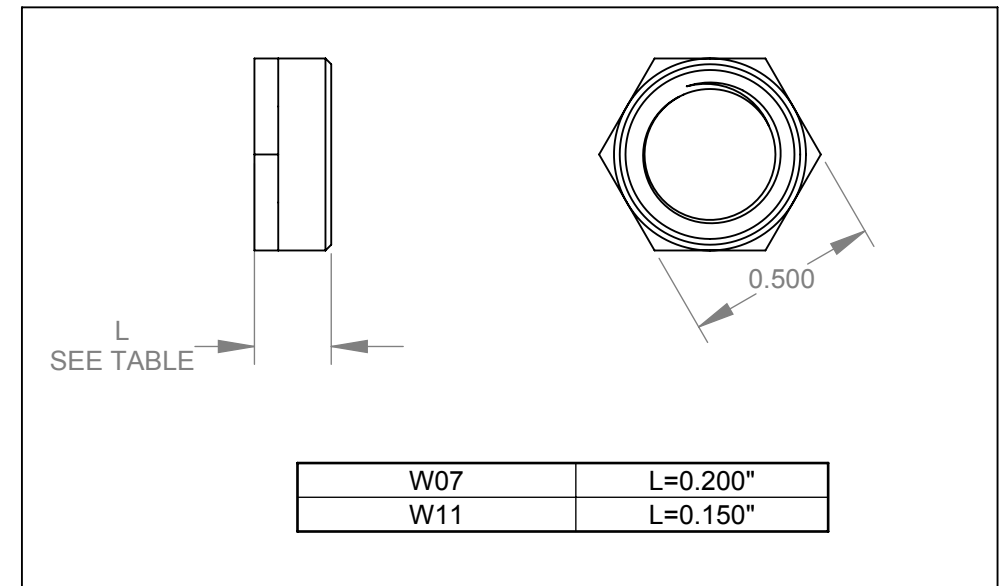


NOTES:

1. INSTALLATION:
  1. INSTALL THE JACK AND THE WASHER (IF NEEDED) FROM THE BACK OF THE PANEL.
  2. INSTALL THE ORING AND THEN THE HEX NUT FROM THE FRON OF THE PANEL.
  3. TIGHTEN THE NUT.
  4. SEE THE TABLE BELOW FOR INSTALLATION INSTRUCTIONS:

Panel thickness /Inches	0.050	0.055	0.060	0.065	0.070	0.075	0.080	0.085	0.090	0.095	0.100	0.105	0.110	0.115	0.120	0.125
Kit part number	W07 (LARGE)										W11 (SMALL)					
Washer (K180)	yes	yes	yes	yes	yes	no	no	no	no	yes	yes	yes	yes	yes	no	no

2. HEX NUT FINISH: NICKEL
3. TO BE USED WITH 267S15-S28 PLUGS.
4. IP RATING: IP66
5. RECOMMENDED HOLE DIAMETER: Ø0.375" [9.5MM]
6. RECOMMENDED WORKING TEMPERATURE: -20TO 50 °C.
7. RoHS COMPLIANT.



**CUSTOMER DRAWING**

UNLESS OTHERWISE SPECIFIED 1. ALL DIMENSIONS IN INCHES [mm] - TWO PLACE DECIMALS ±0.02 [0.5] - THREE PLACE DECIMALS ±0.005 [0.13]					THIS DRAWING DESCRIBES A DESIGN CONSIDERED PROPRIETARY IN NATURE, DEVELOPED AND MANUFACTURED BY SWITCHCRAFT INC. AND IS RELEASED ON A CONFIDENTIAL BASIS FOR IDENTIFICATION PURPOSES ONLY.				
					SIZE *	WIDTH *	MULT *	LBS/M *	TEMPER *
REVISIONS 0A PRELIMINARY 2/17/20 NS SRC REV ECO NUMBER DATE BY APVD					FINISH * SPEC No. *		MATERIAL * SPEC No. *		
					FIRST USED ON *		SCALE 1:1		
DATE DRAWN 2/17/20		BY NS	CHKD NS 2/17/20	APVD SRC 2/17/20					
DO NOT SCALE DRAWING					NAME SEALED 1/4" JACK				SHEET 1 OF 1
					PART No. 12BW07-W11		REV 0A		