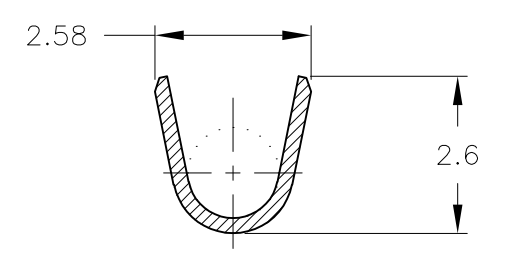


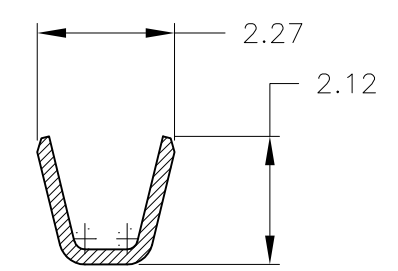
THIS DRAWING IS UNPUBLISHED. RELEASED FOR PUBLICATION LOC DIST REVISIONS

© COPYRIGHT - By - ALL RIGHTS RESERVED. P LTR DESCRIPTION DATE DWN APVD

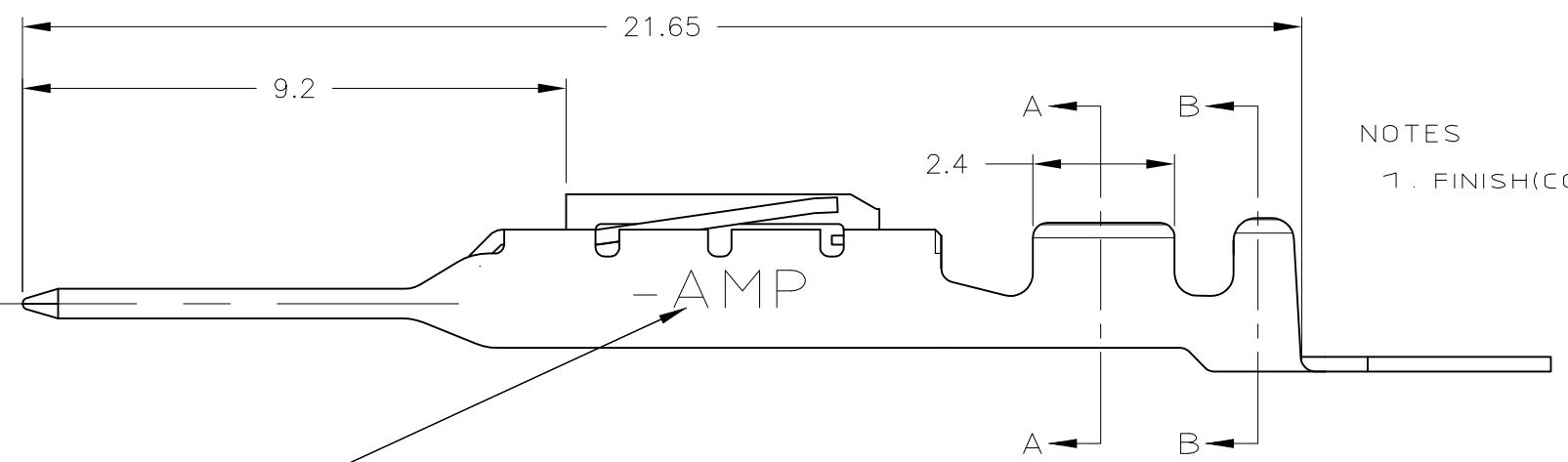
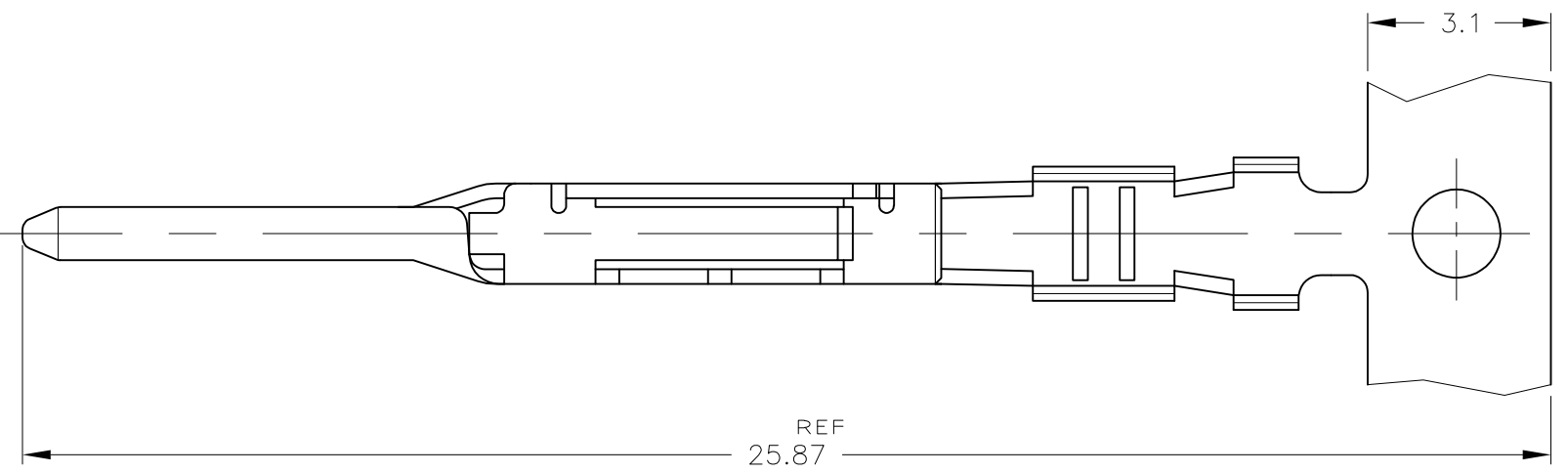
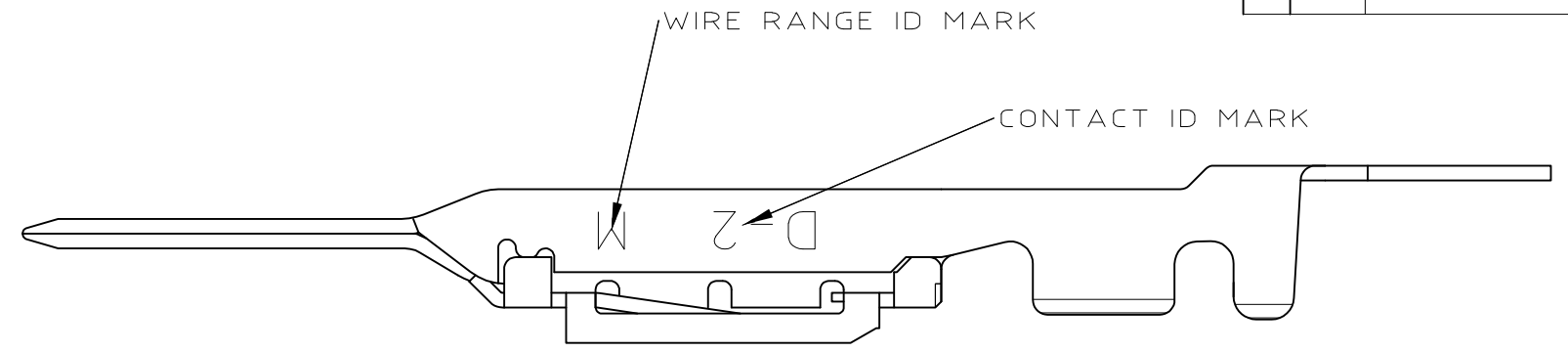
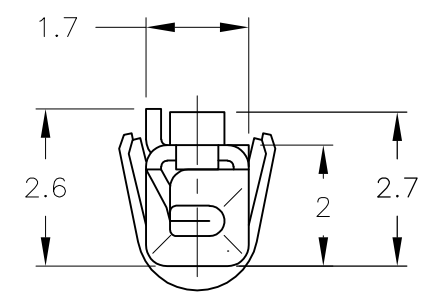
P	LTR	DESCRIPTION	DATE	DWN	APVD
	C	REVISED PER ECR-16-016514	23NOV2016	K.T	E.T



SECT B-B




SECT A-A



-1:AS SHOWN

NOTES
 1. FINISH (CONTACT AREA): 0.38 μm MIN GOLD PLATING OVER Ni PLATING

THIS DRAWING IS A CONTROLLED DOCUMENT.		DWN K.IKEDA 7/DEC/'98	WIRE RANGE AWG #22~#18		INSULATION DIA 1.26~1.90	
DIMENSIONS: mm		CHK N.MATSUBARA 7/DEC/'98	 TE Connectivity			
TOLERANCES UNLESS OTHERWISE SPECIFIED: 10 > : ±0.3 >10 : ±0.35 >30 : ±0.4 ANGLE : ±3°		APVD I.HASEGAWA 7/DEC/'98				
MATERIAL (COPPER ALLOY)		FINISH SEE NOTE	NAME TAB CONTACT M SIZE DYNAMIC D-2 SERIES		RESTRICTED TO -	
		PRODUCT SPEC 108-5619	SIZE A3	CAGE CODE 00779	DRAWING NO C-1318109	
		APPLICATION SPEC 114-5258	SCALE 8:1		SHEET 1 OF 1	REV C
		WEIGHT 0	CUSTOMER DRAWING			