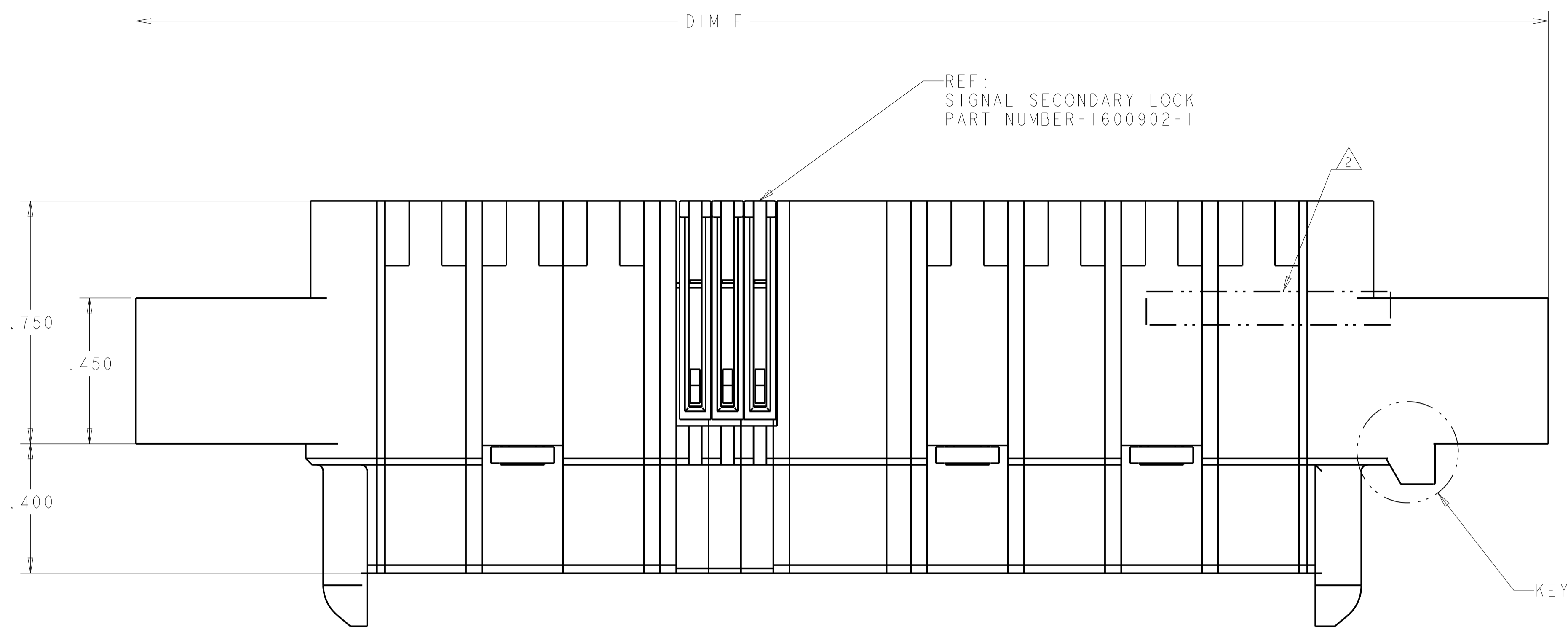
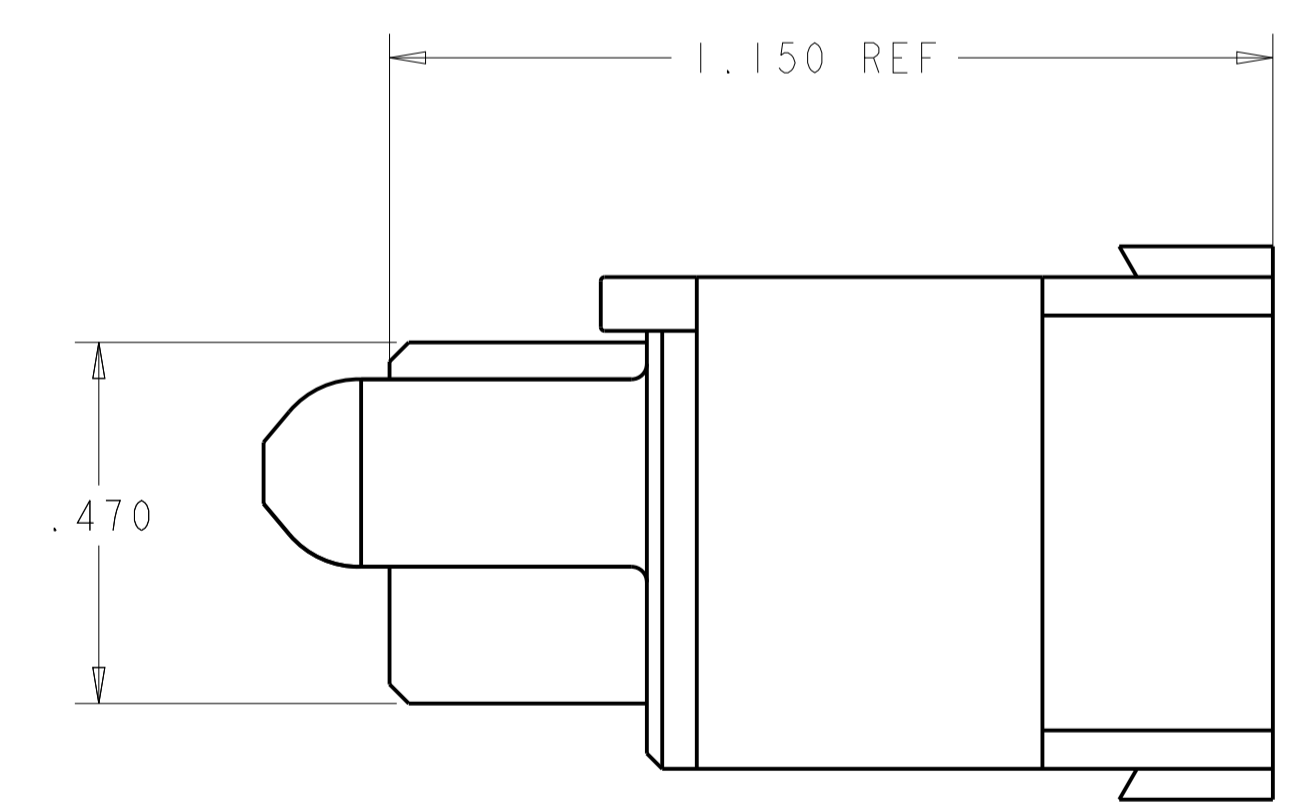
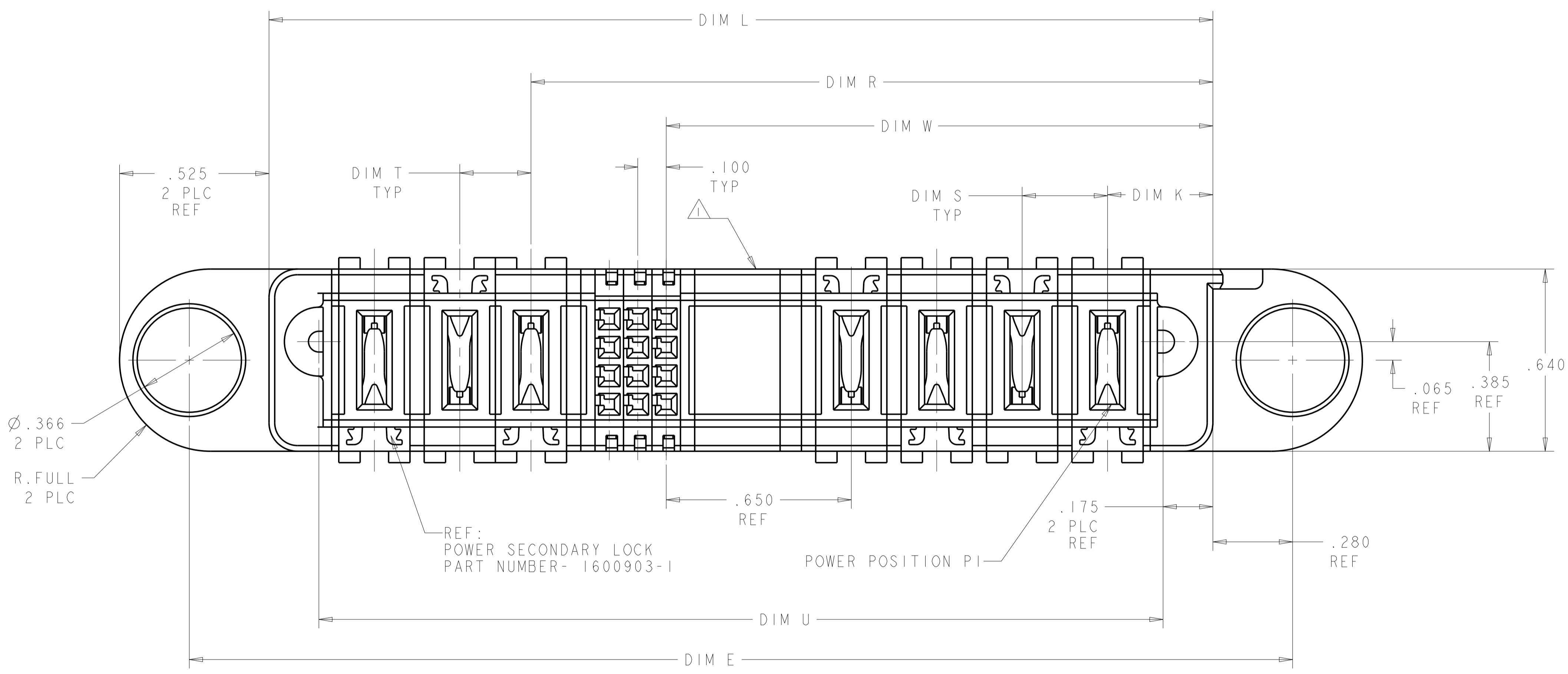


LOC		DIST		REVISIONS			
ES	00	P	LTH	DESCRIPTION	DATE	DMN	APVD
		F4		ADDED NEW DASH NUMBER 5-6	15JUL2020	CZ	SZ

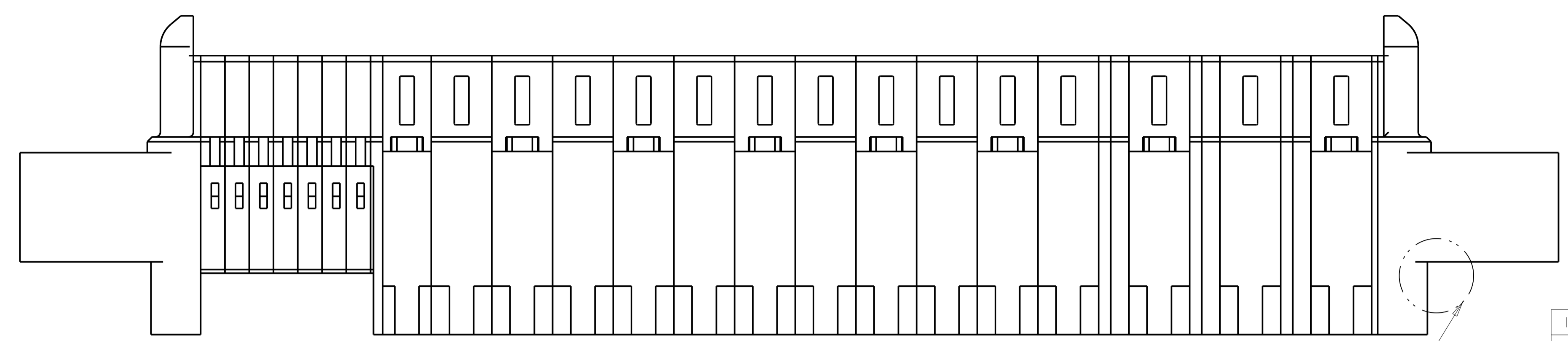


- △ OPTIONAL CENTER MODULE.
- △ COMPANY TRADEMARK, PART NUMBER, AND DATE CODE TO BE MARKED IN AREA SHOWN PARTS UNDER 2.00 LONG MAY BE MARKED ON BOTH SIDES.
- △ MATERIAL: THERMO PLASTIC, UL94 V-0.
- △ DATUM LOCATIONS AND BASIC DIMENSIONS TO BE ESTABLISHED BY THE CUSTOMER.
- △ BULKHEAD THICKNESS RANGE: .031 - .100
- △ CONNECTOR MATED TO PANEL FROM OPPOSITE SIDE.
- △ NO BURRS ALLOWED ON OPPOSITE (MATING) SIDE.
- △ CONNECTOR KEEP OUT ZONE.
- △ MOUNT CONNECTOR WITH TYCO HARDWARE KIT (1600914-7 OR 1600000-3) FOR .050 [1.27mm] MIN RADIAL FLOAT.
- △ VARIABLE DIM. PLEASE SEE TABLE OR DETAIL DIM PER PART NO.
- △ FOR THE CONFIGURATION WITH VENT HOLES, PLEASE REFER TO THE SHEET 3.
- △ FOR THE CONFIGURATION OF 3-1892903-2, PLEASE REFER TO THE SHEET 2.



THIS DRAWING IS A CONTROLLED DOCUMENT.		DMN C. ZHOU CHK S. ZHAO	09JUN2009 09JUN2009	TE Connectivity	
DIMENSIONS: INCHES		APVD			
TOLERANCES UNLESS OTHERWISE SPECIFIED: 0 PLC ±. 1 PLC ±.01 2 PLC ±.01 3 PLC ±.005 4 PLC ±.0020 ANGLES ±.020		PRODUCT SPEC 108-2157 APPLICATION SPEC 114-13112 WEIGHT CUSTOMER DRAWING		NAME PANEL MOUNT CABLE RECEPTACLE HOUSING, WITH GUIDES MULTI-BEAM XLE SIZE A100779C=1892903 RESTRICTED TO	
MATERIAL		FINISH		SCALE 1:1 SHEET 1 OF 8 REV F4	

LOC		DIST		REVISIONS			
ES	00	P	LTN	DESCRIPTION	DATE	DWN	APVD
		-		SEE SHEET 1			



WITHOUT KEY

FOR THE CONFIGURATION WITHOUT KEY
 PART NUMBER: 3-1892903-2

1600914-7	NO	.115	2.3675	1.010	.115	2.640	2.990	.2775	4.040	3.550	6LP + 52S + 4LP	5-1892903-6	
1600914-7	NO	.300	1.570	1.220	.300	2.190	2.540	.370	3.590	3.100	3ACP + 8S + 3ACP	5-1892903-4	
1600914-7	NO	.300	1.570	1.220	.300	2.190	2.540	.370	3.590	3.100	3ACP + 8S + 3ACP	5-1892903-3	
1600914-7	NO	.300	1.870	1.520	.300	2.790	3.140	.370	4.190	3.700	4ACP + 8S + 4ACP	5-1892903-2	
1600914-7	NO	.300	1.270	.920	.300	1.590	1.940	.370	2.990	2.500	2ACP + 8S + 2ACP	5-1892903-1	
1600914-7	NO	-	-	.295	-	1.140	1.490	-	2.540	2.050	40S	5-1892903-0	
1600914-7	NO	.115	2.5675	1.010	.115	3.070	3.420	.2775	4.470	3.980	6LP + 60S + 6LP	4-1892903-8	
1600914-7	NO	.115	.7825	.550	.115	.825	1.175	.2775	2.225	1.735	2LP + 8S + 2LP	4-1892903-7	
1600914-7	NO	-	-	2.195	△	2.615	2.965	.370	4.015	3.525	3ACP + 4P + 24S	4-1892903-6	
1600000-3	NO	.300	1.670	.920	.300	1.990	2.340	.370	3.390	2.900	2ACP + 24S + 2ACP	4-1892903-5	
1600914-7	NO	△	.820	.295	-	3.440	3.790	-	4.840	4.350	16S + 11P	4-1892903-4	
1600914-7	NO	-	-	4.420	△	4.940	5.290	.370	6.340	5.850	15P + 28S	4-1892903-3	
1600914-7	NO	.200	1.295	.720	.200	1.490	1.840	.345	2.890	2.400	2HDP + 20S + 2HDP	4-1892903-2	
1600914-7	NO	.300	-	5.050	.300	5.170	5.520	.370	6.570	6.080	15ACP + 2LP + 12S	4-1892903-0	
1600914-7	NO	.300	1.370	.920	.300	1.690	2.040	.370	3.090	2.600	2ACP + 12S + 2ACP	3-1892903-9	
1600914-7	NO	.300	1.970	.920	.300	2.290	2.640	.370	3.690	3.200	2ACP + 36S + 2ACP	3-1892903-8	
1600914-7	NO	.300	1.970	.920	.300	2.290	2.640	.370	3.690	3.200	2ACP + 36S + 2ACP	3-1892903-7	
1600914-7	NO	.300	1.970	1.220	.300	2.590	2.940	0.370	3.990	3.500	3ACP + 20S + 3ACP	3-1892903-6	
1600914-7	NO	-	-	1.520	.300	2.140	2.490	.370	3.540	3.050	4ACP + 32S	3-1892903-5	
1600914-7	NO	-	.845	.545	-	.840	1.190	.345	2.240	1.750	1P + 8S + 1P	3-1892903-4	
1600914-7	NO	-	0.970	0.620	-	0.990	1.340	0.370	2.390	1.900	1P + 8S + 1P	3-1892903-3	
1600914-7	NO	-	-	4.420	△	4.940	5.290	.370	6.340	5.850	15P + 28S	3-1892903-2	
1600914-7	NO	-	-	4.420	△	4.940	5.290	.370	6.340	5.850	15P + 28S	3-1892903-1	
1600000-3	NO	.300	1.470	.920	.300	1.790	2.140	.370	3.190	2.700	2ACP + 16S + 2ACP	3-1892903-0	
1600914-7	NO	.250	.620	.295	-	.865	1.215	-	2.265	1.775	8S + 2P	2-1892903-9	
1600914-7	NO	.250	.620	.295	-	1.365	1.715	-	2.765	2.275	8S + 4P	2-1892903-8	
1600914-7	NO	.250	2.345	1.820	.250	3.090	3.440	.345	4.490	4.000	6P + 16S + 4P	2-1892903-7	
1600914-7	NO	-	-	.295	-	.640	.990	-	2.040	1.550	20S	2-1892903-6	
1600914-7	NO	-	-	1.320	.200	1.640	1.990	.345	3.040	2.550	5HDP + 20S	2-1892903-5	
1600914-7	NO	.250	1.495	1.020	.250	1.990	2.340	.345	3.390	2.900	3P + 16S + 3P	2-1892903-4	
1600914-7	NO	.300	.970	.620	-	1.290	1.640	.370	2.690	2.200	1ACP + 8S + 2ACP	2-1892903-2	
1600914-7	NO	.300	1.870	1.220	.300	2.490	2.840	.370	3.890	3.400	3ACP + 20S + 3ACP	2-1892903-1	
1600914-7	NO	.200	1.020	.720	.200	1.390	1.740	.320	2.790	2.300	2HDP + 8S + 3HDP	2-1892903-0	
1600914-7	NO	-	-	4.420	△	4.940	5.290	.370	6.340	5.850	15P + 28S	1-1892903-9	
1600914-7	NO	.300	1.070	.320	-	3.490	3.840	-	4.890	4.400	24S + 9P	1-1892903-7	
1600914-7	NO	△	2.170	.795	△	4.390	4.740	.345	5.790	5.300	2P + 48S + 10P	1-1892903-6	
1600000-3	NO	.300	1.770	1.220	.300	2.390	2.740	.370	3.790	3.300	3ACP + 16S + 3ACP	1-1892903-5	
1600000-3	NO	-	-	1.270	.300	1.590	1.940	.395	2.990	2.500	3ACP + 16S	1-1892903-4	
1600000-3	NO	-	-	1.520	.200	1.790	2.140	.320	3.190	2.700	6P + 16S	1-1892903-3	
1600914-7	NO	-	-	1.845	.375	1.890	2.240	.345	3.290	2.800	4ACP + 8S	1-1892903-1	
1600914-7	NO	.250	1.345	.845	.250	1.640	1.990	.395	3.040	2.550	2HDP + 16S + 2HDP	1-1892903-0	
1600914-7	NO	.250	2.770	1.845	.250	3.540	3.890	.370	4.940	4.300	6P + 32S + 4P	1892903-8	
160014-7	NO	.300	1.920	1.170	.300	2.490	2.840	.320	3.890	3.400	3ACP + 24S + 3ACP	1892903-7	
1600914-7	NO	.115	1.853	1.220	.300	2.125	2.475	.370	3.525	3.035	3ACP + 24S + 4LP	1892903-4	
1600914-7	NO	△	△	△	△	5.040	5.390	.345	6.440	5.950	2P+16S+1P+2ACP+5P+2ACP+1P+16S+1P+8S	1892903-3	
1600914-7	YES	△	△	2.395	1.920	.300	2.965	3.315	.370	4.365	3.875	4ACP + 12S + 3P	1892903-1
KIT P/N	△	DIM T	DIM R	DIM W	DIM S	DIM U	DIM L	DIM K	DIM F	DIM E	DESCRIPTION	PART NUMBER	

THIS DRAWING IS A CONTROLLED DOCUMENT. DWN: C. ZHOU 09JUN2009
 CHK: S. ZHAO 09JUN2009

DIMENSIONS: INCHES. TOLERANCES UNLESS OTHERWISE SPECIFIED:
 0 PLC ±.01
 1 PLC ±.01
 2 PLC ±.01
 3 PLC ±.005
 4 PLC ±.002
 ANGLES ±.002

MATERIAL: FINISH:

PRODUCT SPEC: 108-2157
 APPLICATION SPEC: 114-13112

WEIGHT: CUSTOMER DRAWING

SCALE: 1:1 SHEET 2 OF 8 REV F4

STE TE Connectivity

PANEL MOUNT CABLE RECEPTACLE HOUSING, WITH GUIDES MULTI-BEAM XLE

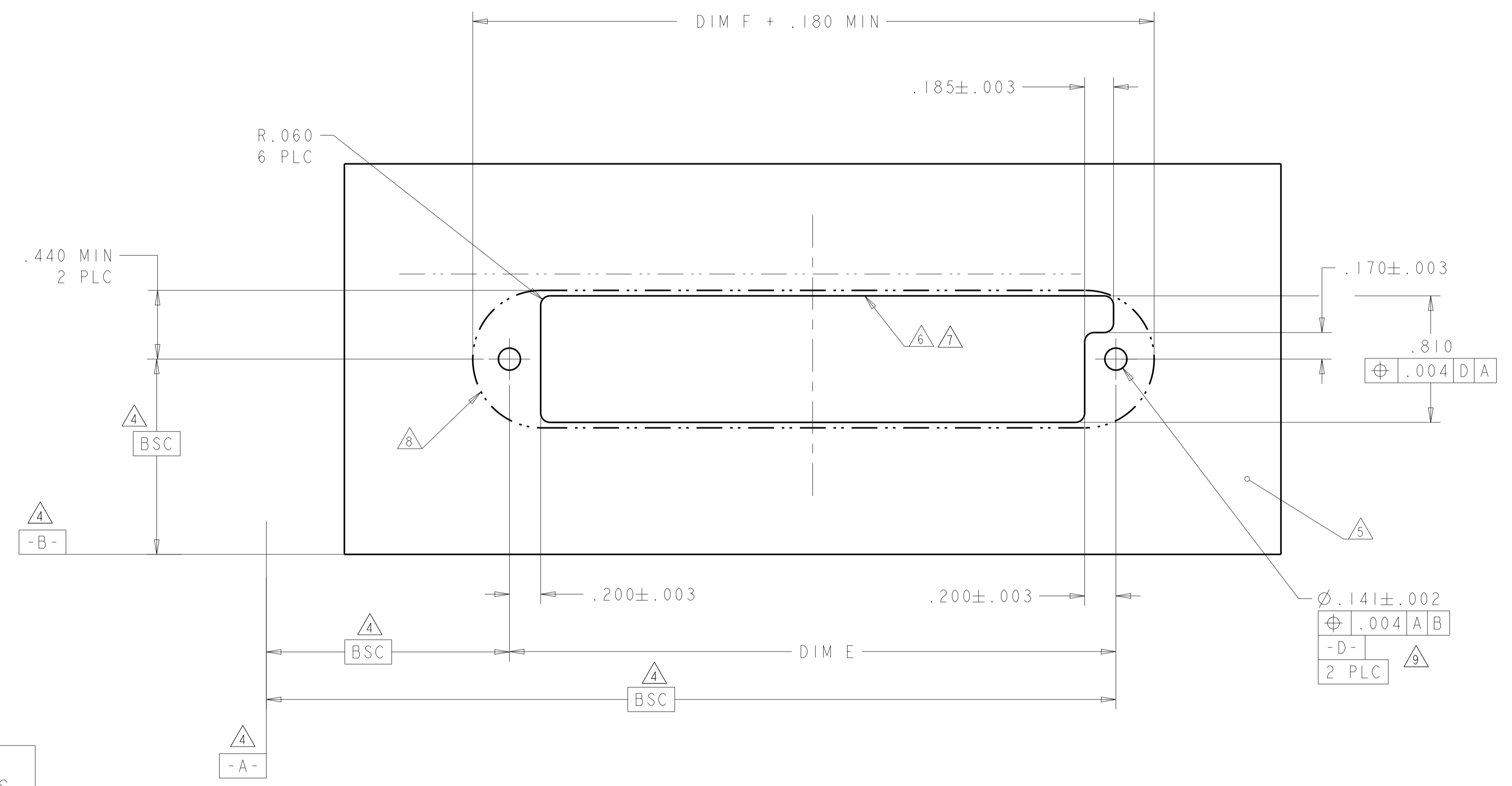
SIZE: 100779 C=1892903

LOC	DIST	REV	DATE	BY	APPV
ES	00				

REVISIONS					
REV	DATE	DESCRIPTION	BY	APPV	DATE
-	-	SEE SHEET 1	-	-	-

PART NUMBER	ROWS	POWER			SIGNAL			BLANK	POWER			
		P7	P6	P5	3	2	1		P4	P3	P2	P1
1892903-1	D C B A	RA	RM	RM	E	E	E		RM	RM	RM	RM
4ACP + 12S + 3P					E	E	E					
					E	E	E					

.300 .250



BULKHEAD LAYOUT

REFERENCE POWER WIRE CHART - RM & RA CONTACTS		
HOUSING MODULE	CONTACT	INSULATION DIAMETER RANGE
.300	8-10 1600960 REF	[.176-.272]
.250	8-10 1600960 REF	[.176-.203]
	12-14 1600961 REF	[.156-.176]
.200	12-14 1600961 REF	[.120-.156]
.100	22-26 5531216-5 REF	[.036-.069]

-	NO CONTACTS LOADED
LP	LOW POWER CONTACT
RA	MFBL POWER CONTACT
RM	STANDARD POWER CONTACT
E	SIGNAL CONTACT
CODE	DESCRIPTION
CONTACT TABLE	

THIS DRAWING IS A CONTROLLED DOCUMENT.		DWN C. ZHOU CHK S. ZHAO	09JUN2009 09JUN2009	
DIMENSIONS: INCHES	TOLERANCES UNLESS OTHERWISE SPECIFIED:	APVD	NAME	
	0 PLC ± 1 PLC ±.01 2 PLC ±.01 3 PLC ±.005 4 PLC ±.002 ANGLES ±.020	PRODUCT SPEC 108-2157	APPLICATION SPEC 114-13112	PANEL MOUNT CABLE RECEPTACLE HOUSING, WITH GUIDES MULTI-BEAM XLE
MATERIAL	FINISH	WEIGHT	SCALE	SIZE CAGE CODE DRAWING NO A100779C=1892903
CUSTOMER DRAWING		SCALE	SHEET 3 OF 8	REV F4

LOC	DIST	REV	DATE	BY	APPV
ES	00				

PART NUMBER	ROWS	SIGNAL		POWER										SIGNAL		POWER										
		10	9	P14	8	7	6	5	P13	P12	P11	P10	P9	P8	P7	P6	P5	P4	P3	4	3	2	1	P2	P1	
1892903-3	D C B A	E	E		E	E	E	E		RM	RM		RM		RM		RM	RM		E	E	E	E		RA	

2P+16S+1P+2ACP+5P+2ACP+1P+16S+1P+8S

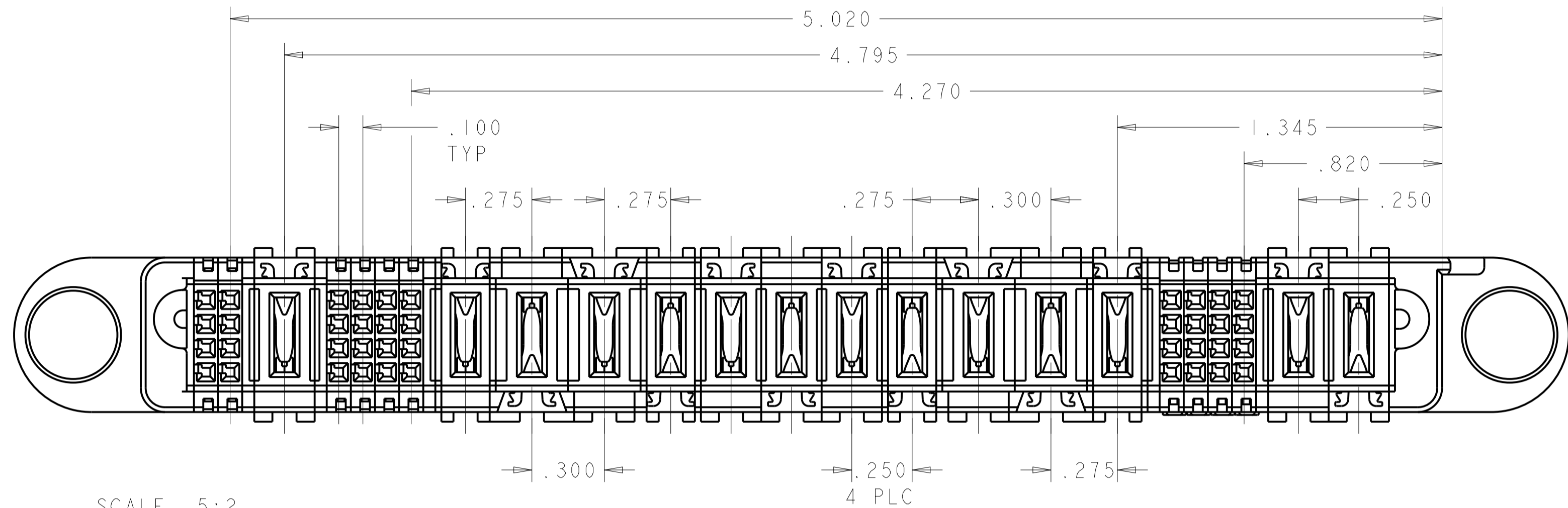
NO CONTACTS LOADED

PART NUMBER	ROWS	POWER		SIGNAL				POWER			
		P4	P3	4	3	2	1	P2	P1		
1-1892903-0	D C B A	RM	RM	E	E	E	E		RM	RM	

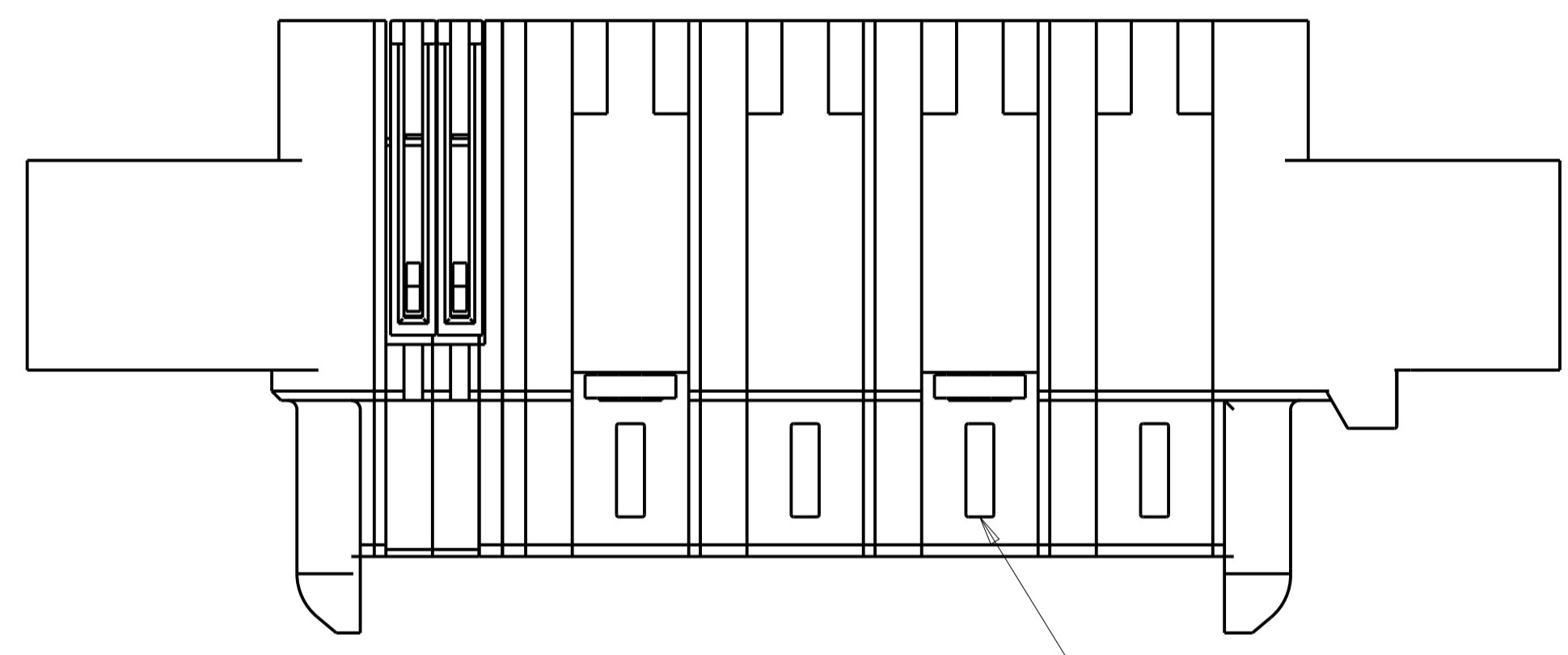
2HDP + 16S + 2HDP

PART NUMBER	ROWS	SIGNAL		POWER				
		2	1	P4	P3	P2	P1	
1-1892903-1	D C B A	E	E	RA	RM	RM	RM	

4ACP + 8S



SCALE 5:2
1892903-3



FOR THE CONFIGURATION WITH VENT HOLES
PART NUMBER: 1-1892903-1

PART NUMBER	ROWS	POWER				SIGNAL						POWER				
		P7	P6	P5	P4	6	5	4	3	2	1	P3	P2	P1		
1892903-4	D C B A	LP	LP	LP	LP	E	E	E	E	E	E		RA	RM	RA	

3ACP + 24S + 4LP

PART NUMBER	ROWS	POWER			SIGNAL						POWER				
		P6	P5	P4	6	5	4	3	2	1	P3	P2	P1		
1892903-7	D C B A	RM	RM	RM	E	E	E	E	E	E		RM	RM	RM	

3ACP + 24S + 3ACP

PART NUMBER	ROWS	POWER				SIGNAL						POWER									
		P10	P9	P8	P7	8	7	6	5	4	3	2	1	P6	P5	P4	P3	P2	P1		
1892903-8	D C B A	RM	RM	RM	RM	E	E	E	E	E	E	E	E		RM	RM	RM	RM	RM	RM	

6P + 32S + 4P

THIS DRAWING IS A CONTROLLED DOCUMENT.

OWN: C. ZHOU 09JUN2009
CHK: S. ZHAO 09JUN2009
APVD: -

TE Connectivity

PRODUCT SPEC: 108-2157
APPLICATION SPEC: 114-13112

NAME: PANEL MOUNT CABLE RECEPTACLE HOUSING, WITH GUIDES MULTI-BEAM XLE

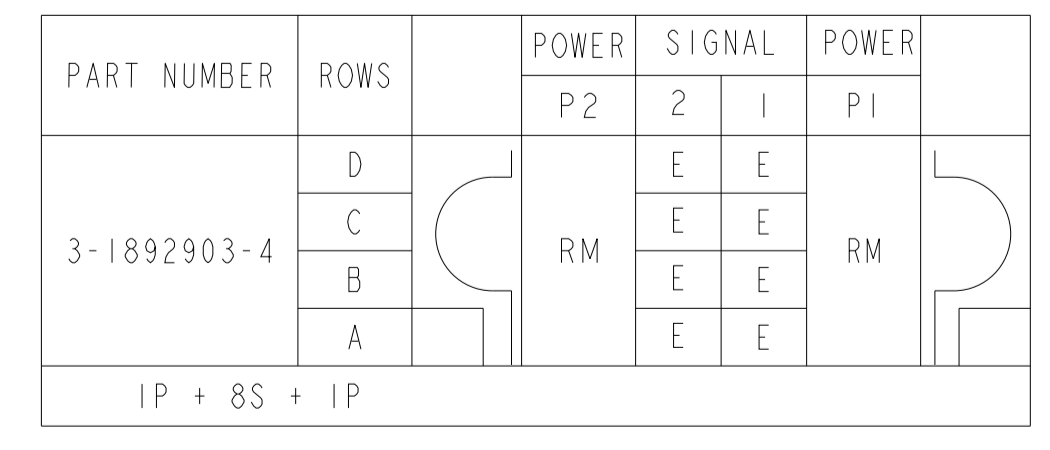
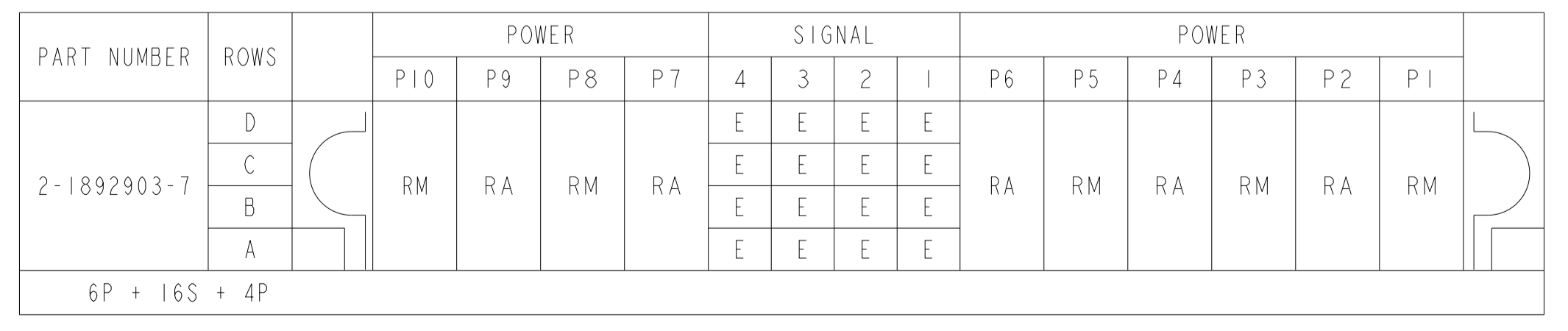
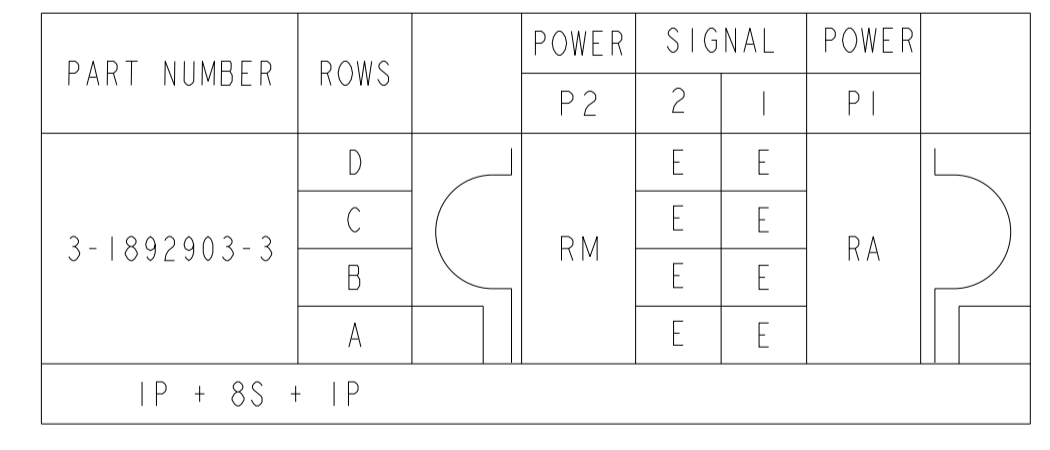
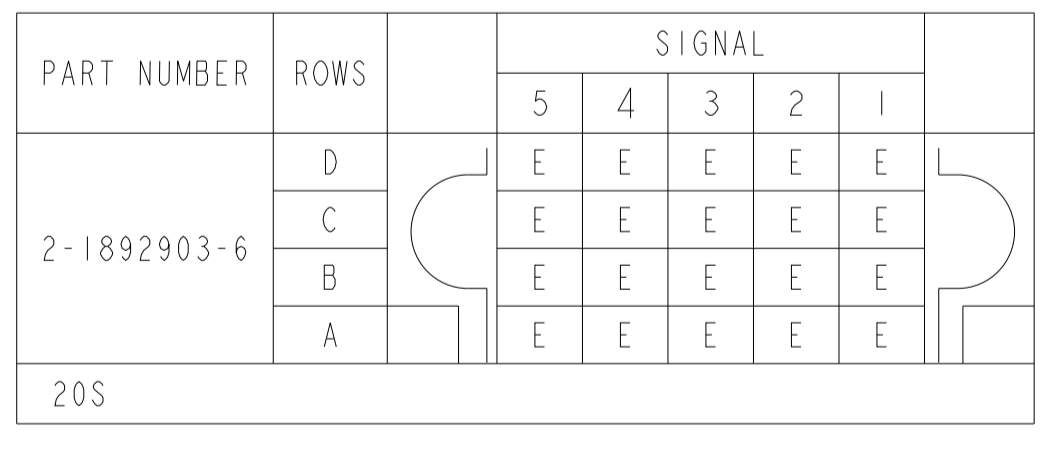
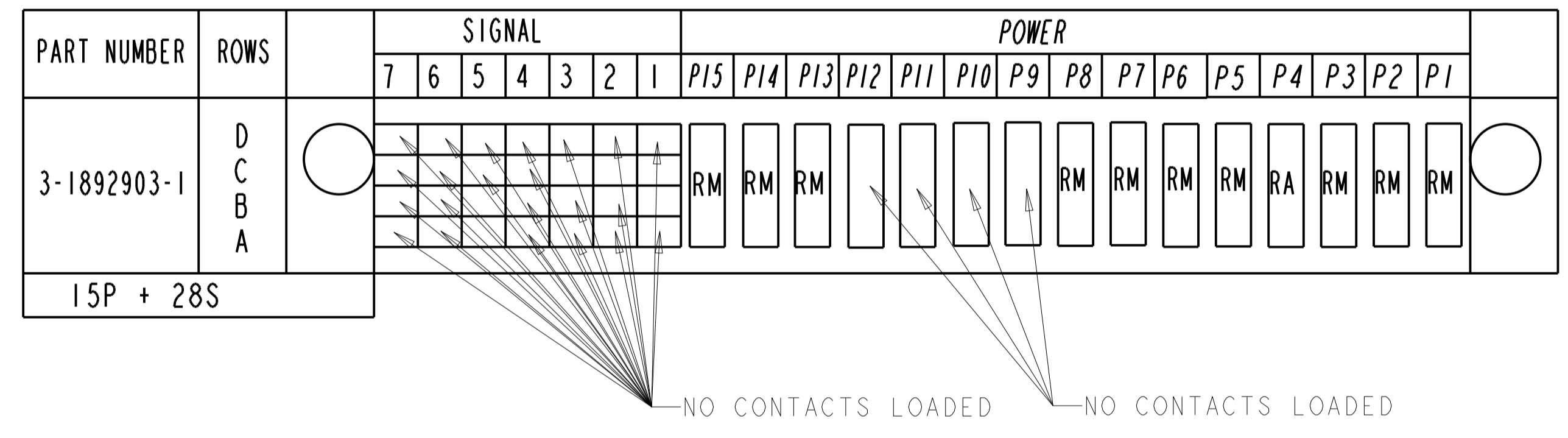
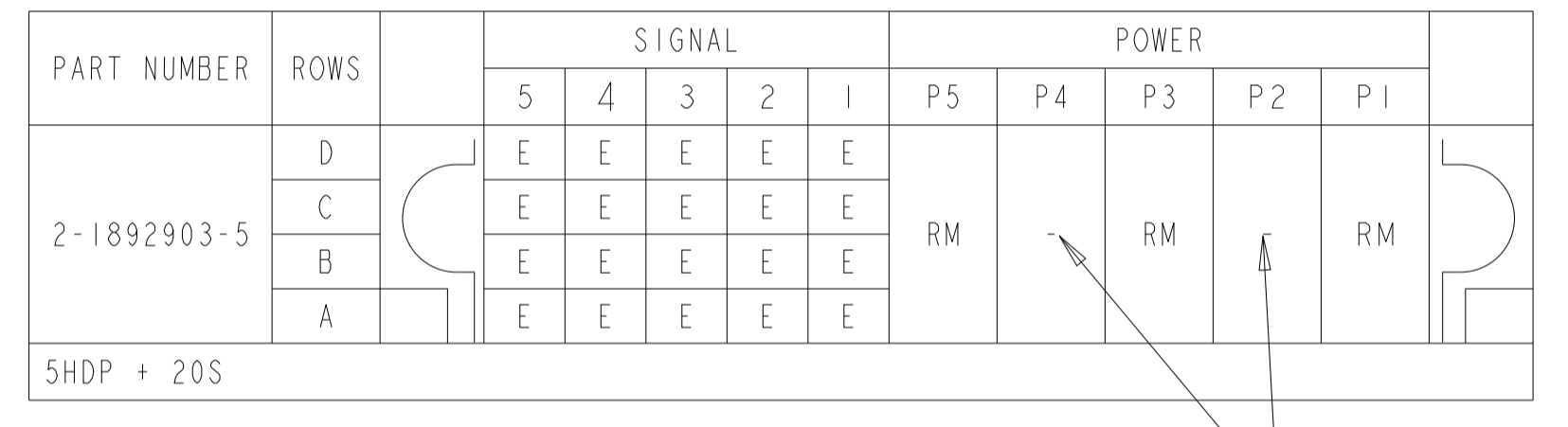
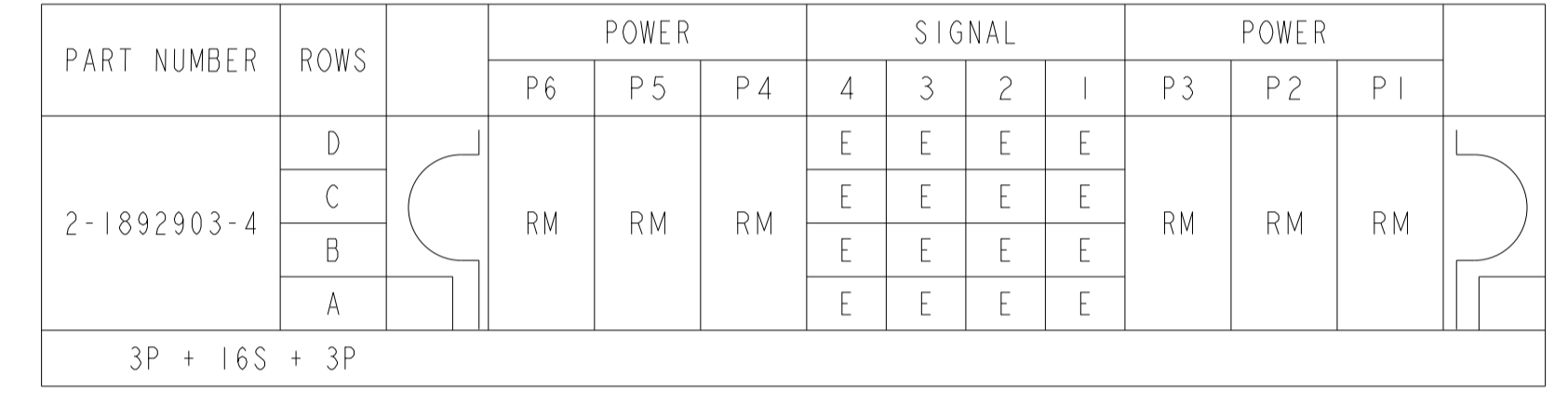
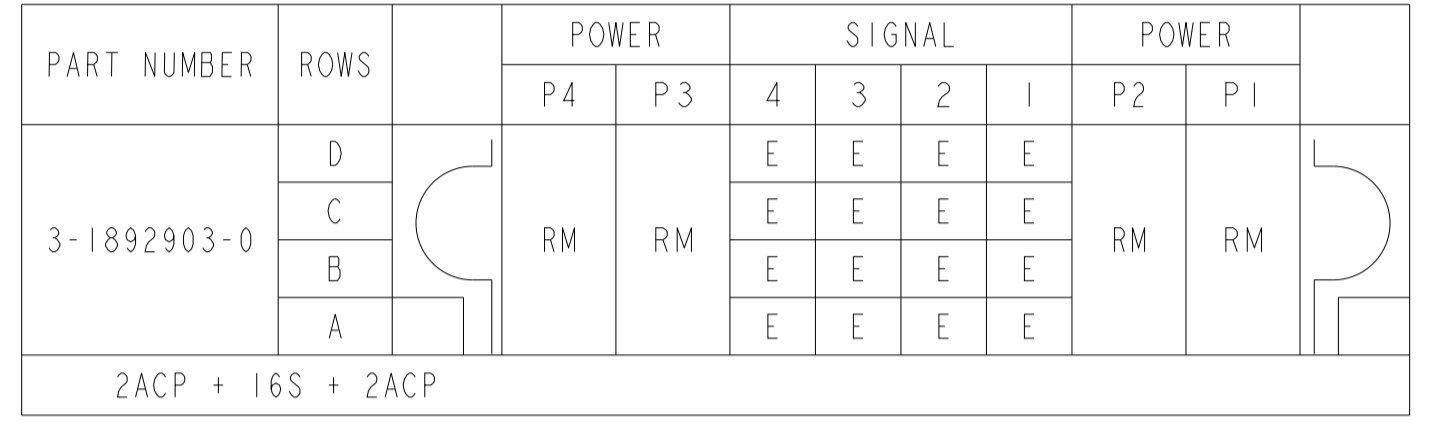
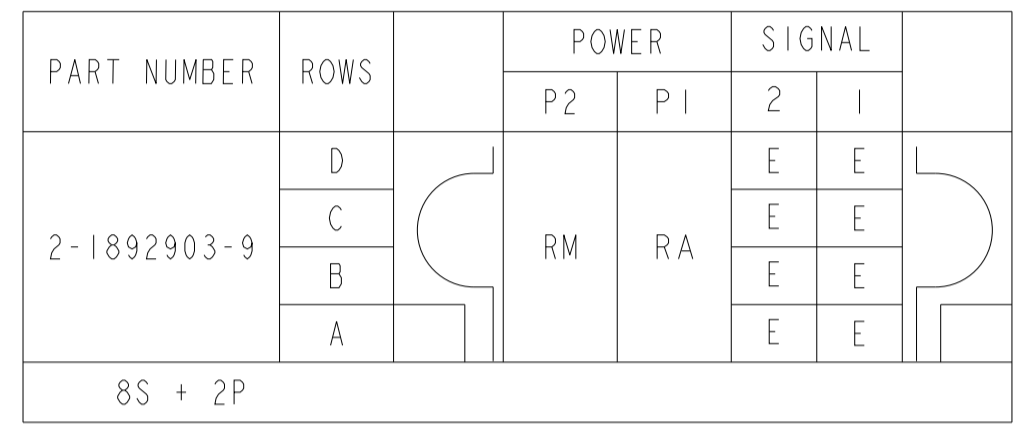
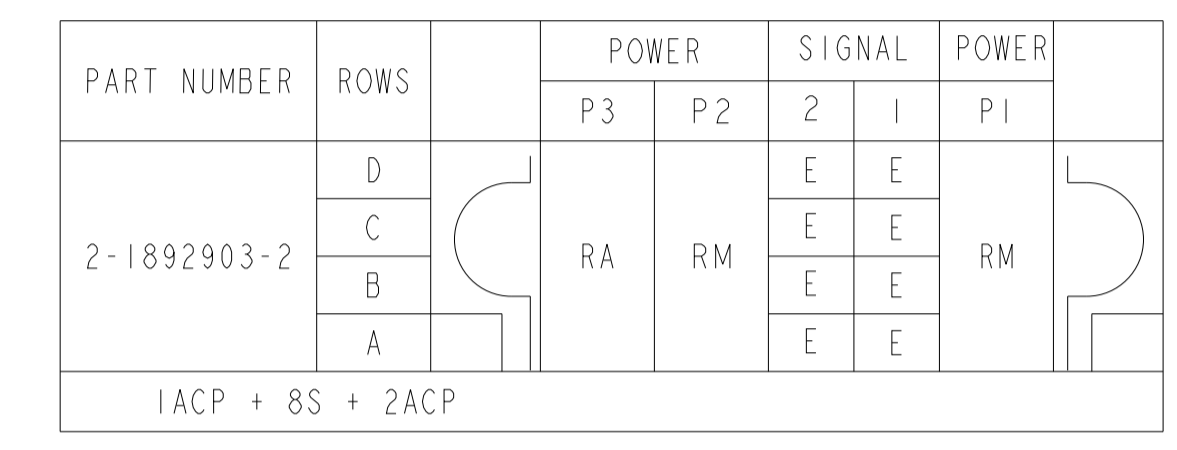
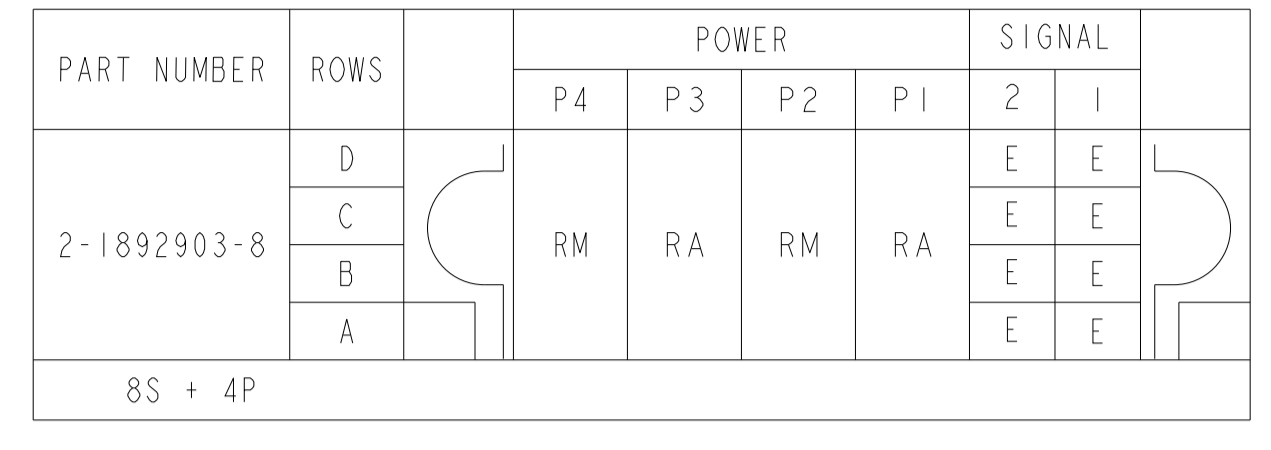
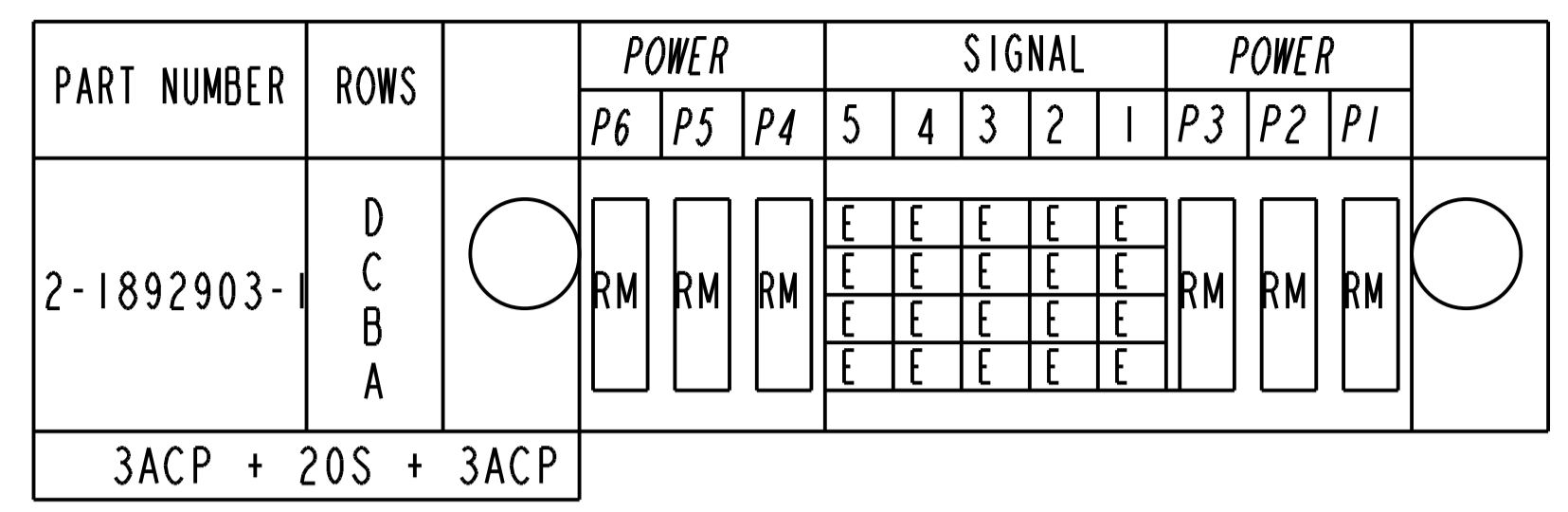
SIZE: A1
CAGE CODE: 100779
DRAWING NO: 1892903


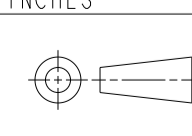
RESTRICTED TO: -

CUSTOMER DRAWING

SCALE: 1:1 SHEET: 4 OF 8 REV: F4

LOC	DIST	REVISIONS			
ES	00	REV	DATE	BY	APPV
		1	SEE SHEET 1		



THIS DRAWING IS A CONTROLLED DOCUMENT.		DWN C. ZHOU CHK S. ZHAO	09JUN2009 09JUN2009	 TE Connectivity
DIMENSIONS: INCHES		TOLERANCES UNLESS OTHERWISE SPECIFIED:		
		0 PLC ± 2 PLC ±.01 3 PLC ±.005 4 PLC ±.0020 ANGLES ±.2°		PRODUCT SPEC 108-2157 APPLICATION SPEC 114-13112 WEIGHT CUSTOMER DRAWING
MATERIAL		FINISH		NAME PANEL MOUNT CABLE RECEPTACLE HOUSING, WITH GUIDES MULTI-BEAM XLE SIZE A100779C=1892903 SHEET 6 OF 8 REV F4

LOC	DIST	REV	DATE	BY	CHK	APVD
ES	00					

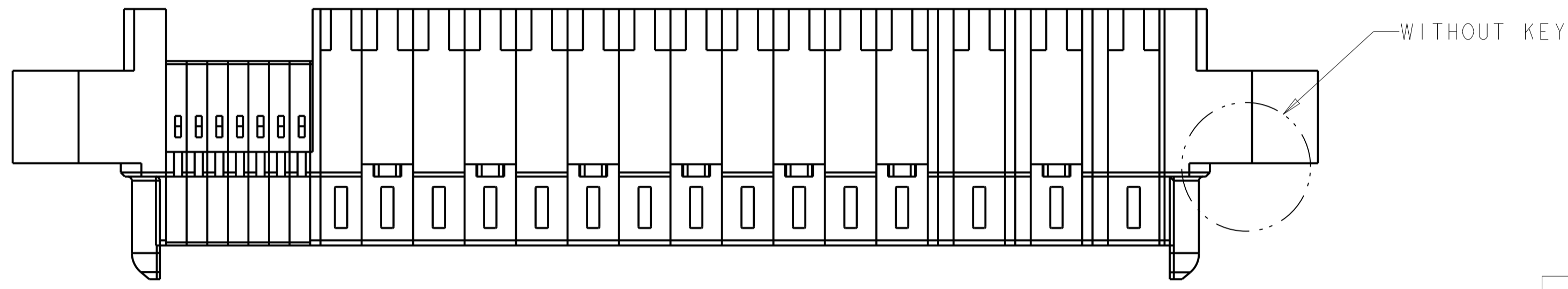
PART NUMBER	ROWS	SIGNAL										POWER										
		7	6	5	4	3	2	1	P15	P14	P13	P12	P11	P10	P9	P8	P7	P6	P5	P4	P3	P2
3-1892903-2	D	E	E	E	E	E	E	E	E	E	E	E	E	E	E	E	E	E	E	E	E	E
	C	E	E	E	E	E	E	E	E	E	E	E	E	E	E	E	E	E	E	E	E	E
	B	E	E	E	E	E	E	E	E	E	E	E	E	E	E	E	E	E	E	E	E	E
	A	E	E	E	E	E	E	E	E	E	E	E	E	E	E	E	E	E	E	E	E	E

NO CONTACTS LOADED

NO CONTACTS LOADED

.250
1 IPLC

.375
3 PLC



3-1892903-2

PART NUMBER	ROWS	POWER		SIGNAL								POWER				
		P4	P3	9	8	7	6	5	4	3	2	1	P2	P1		
3-1892903-7	D	RM	RM	E	E	E	E	E	E	E	E	E	E	E	E	E
	C	RM	RM	E	E	E	E	E	E	E	E	E	E	E	E	E
	B	RM	RM	E	E	E	E	E	E	E	E	E	E	E	E	E
	A	RM	RM	E	E	E	E	E	E	E	E	E	E	E	E	E

2ACP + 36S + 2ACP

PART NUMBER	ROWS	POWER		SIGNAL								POWER				
		P4	P3	9	8	7	6	5	4	3	2	1	P2	P1		
3-1892903-8	D	RM	RM	-	-	-	-	-	-	-	-	-	-	-	-	-
	C	RM	RM	-	-	-	-	-	-	-	-	-	-	-	-	-
	B	RM	RM	-	-	-	-	-	-	-	-	-	-	-	-	-
	A	RM	RM	-	-	-	-	-	-	-	-	-	-	-	-	-

2ACP + 36S + 2ACP

PART NUMBER	ROWS	POWER		SIGNAL			POWER	
		P4	P3	3	2	1	P2	P1
3-1892903-9	D	RM	RM	E	E	E	RM	RM
	C	RM	RM	E	E	E	RM	RM
	B	RM	RM	E	E	E	RM	RM
	A	RM	RM	E	E	E	RM	RM

2ACP + 12S + 2ACP

PART NUMBER	ROWS	SIGNAL			LOW POWER		HIGH POWER														
		3	2	1	LP2	LP1	P15	P14	P13	P12	P11	P10	P9	P8	P7	P6	P5	P4	P3	P2	P1
4-1892903-0	D	E	E	E	LP	LP	-	-	RM	-	-	RM	RM	-	-	-	RM	RM	-	-	RM
	C	E	E	E	LP	LP	-	-	RM	-	-	RM	RM	-	-	-	RM	RM	-	-	RM
	B	E	E	E	LP	LP	-	-	RM	-	-	RM	RM	-	-	-	RM	RM	-	-	RM
	A	E	E	E	LP	LP	-	-	RM	-	-	RM	RM	-	-	-	RM	RM	-	-	RM

15ACP + 2LP + 12S

NO CONTACTS LOADED

PART NUMBER	ROWS	SIGNAL								POWER					
		8	7	6	5	4	3	2	1	P5	P4	P3	P2	P1	
3-1892903-5	D	E	E	E	E	E	E	E	E	-	RM	RM	RM	RM	RA
	C	E	E	E	E	E	E	E	E	-	RM	RM	RM	RM	RA
	B	E	E	E	E	E	E	E	E	-	RM	RM	RM	RM	RA
	A	E	E	E	E	E	E	E	E	-	RM	RM	RM	RM	RA

5ACP + 32S

NO CONTACTS LOADED

PART NUMBER	ROWS	POWER		SIGNAL					POWER	
		P4	P3	5	4	3	2	1	P2	P1
4-1892903-2	D	RM	RM	E	E	E	E	E	RM	RM
	C	RM	RM	E	E	E	E	E	RM	RM
	B	RM	RM	E	E	E	E	E	RM	RM
	A	RM	RM	E	E	E	E	E	RM	RM

2HDP + 20S + 2HDP

PART NUMBER	ROWS	POWER			SIGNAL						POWER		
		P6	P5	P4	6	5	4	3	2	1	P3	P2	P1
3-1892903-6	D	RM	RM	RM	E	E	E	E	E	E	RM	RM	RM
	C	RM	RM	RM	E	E	E	E	E	E	RM	RM	RM
	B	RM	RM	RM	E	E	E	E	E	E	RM	RM	RM
	A	RM	RM	RM	E	E	E	E	E	E	RM	RM	RM

3ACP + 24S + 3ACP

PART NUMBER	ROWS	POWER										SIGNAL				
		P11	P10	P9	P8	P7	P6	P5	P4	P3	P2	P1	4	3	2	1
4-1892903-4	D	RM	RM	RM	RM	RM	RM	RA	RA	RA	RA	RA	E	E	E	E
	C	RM	RM	RM	RM	RM	RM	RA	RA	RA	RA	RA	E	E	E	E
	B	RM	RM	RM	RM	RM	RM	RA	RA	RA	RA	RA	E	E	E	E
	A	RM	RM	RM	RM	RM	RM	RA	RA	RA	RA	RA	E	E	E	E

16S + 11P

.375

.250
9 PLC

NO CONTACTS LOADED

PART NUMBER	ROWS	SIGNAL										POWER											
		7	6	5	4	3	2	1	P15	P14	P13	P12	P11	P10	P9	P8	P7	P6	P5	P4	P3	P2	P1
4-1892903-3	D	E	E	E	E	E	E	E	E	E	E	E	E	E	E	E	E	E	E	E	E	E	E
	C	E	E	E	E	E	E	E	E	E	E	E	E	E	E	E	E	E	E	E	E	E	E
	B	E	E	E	E	E	E	E	E	E	E	E	E	E	E	E	E	E	E	E	E	E	E
	A	E	E	E	E	E	E	E	E	E	E	E	E	E	E	E	E	E	E	E	E	E	E

15P + 28S

NO CONTACTS LOADED

NO CONTACTS LOADED

.375
3 PLC

.250
11 PLC

THIS DRAWING IS A CONTROLLED DOCUMENT.

OWN: C. ZHOU 09JUN2009
CHK: S. ZHAO 09JUN2009
APVD: -

TE Connectivity

PRODUCT SPEC: 108-2157
APPLICATION SPEC: 114-13112

SIZE: A1
CAGE CODE: 100779
DRAWING NO: 1892903

PANEL MOUNT CABLE RECEPTACLE HOUSING, WITH GUIDES MULTI-BEAM XLE

SCALE: 1:1 SHEET 7 OF 8 REV: F4

LOC	DIST	REVISIONS			
ES	00	REV	DATE	BY	APPV
-	-	SEE SHEET 1	-	-	-

PART NUMBER	ROWS	POWER		SIGNAL					POWER		
		P4	P3	6	5	4	3	2	1	P2	P1
4-1892903-5	D	RM	RM	E	E	E	E	E	E	RM	RM
	C			E	E	E	E	E	E		
	B			E	E	E	E	E	E		
	A			E	E	E	E	E	E		

NO CONTACTS LOADED

PART NUMBER	ROWS	POWER				SIGNAL		POWER			
		P8	P7	P6	P5	2	1	P4	P3	P2	P1
5-1892903-2	D	RM	RM	RM	RM	E	E	RA	RA	RA	RA
	C					E	E				
	B					E	E				
	A					E	E				

PART NUMBER	ROWS	POWER			SIGNAL		POWER		
		P6	P5	P4	2	1	P3	P2	P1
5-1892903-3	D	RM	RM	RM	E	E	RM	RM	RA
	C				E	E			
	B				E	E			
	A				E	E			

PART NUMBER	ROWS	SIGNAL					POWER							
		6	5	4	3	2	1	P7	P6	P5	P4	P3	P2	P1
4-1892903-6	D	E	E	E	E	E	E	RM	RM	RM	RA	RM	RM	RM
	C	E	E	E	E	E	E							
	B	E	E	E	E	E	E							
	A	-	-	-	-	-	-							

PART NUMBER	ROWS	POWER			SIGNAL		POWER		
		P6	P5	P4	2	1	P3	P2	P1
5-1892903-4	D	RM	RM	RM	E	E	RM	RM	RM
	C				E	E			
	B				E	E			
	A				E	E			



PART NUMBER	ROWS	POWER		SIGNAL		POWER	
		LP4	LP3	2	1	LP2	LP1
4-1892903-7	D	LP	LP	E	E	LP	LP
	C			E	E		
	B			E	E		
	A			E	E		

PART NUMBER	ROWS	LOW POWER				SIGNAL											LOW POWER																		
		LP10	LP9	LP8	LP7	13	12	11	10	9	8	7	6	5	4	3	2	1	LP6	LP5	LP4	LP3	LP2	LP1											
5-1892903-6	D	LP	LP	LP	LP	E	E	E	E	E	E	E	E	E	E	E	E	E	E	E	E	E	E	E	E	E	LP	LP	LP	LP	LP	LP			
	C					E	E	E	E	E	E	E	E	E	E	E	E	E	E	E	E	E	E	E	E	E							E		
	B					E	E	E	E	E	E	E	E	E	E	E	E	E	E	E	E	E	E	E	E	E							E	E	E
	A					E	E	E	E	E	E	E	E	E	E	E	E	E	E	E	E	E	E	E	E	E							E	E	E

PART NUMBER	ROWS	LOW POWER					SIGNAL															LOW POWER																
		LP12	LP11	LP10	LP9	LP8	LP7	15	14	13	12	11	10	9	8	7	6	5	4	3	2	1	LP6	LP5	LP4	LP3	LP2	LP1										
4-1892903-8	D	LP	LP	LP	LP	LP	E	E	E	E	E	E	E	E	E	E	E	E	E	E	E	E	E	E	E	E	E	E	E	LP	LP	LP	LP	LP	LP			
	C						E	E	E	E	E	E	E	E	E	E	E	E	E	E	E	E	E	E	E	E	E	E	E							E	E	
	B						E	E	E	E	E	E	E	E	E	E	E	E	E	E	E	E	E	E	E	E	E	E	E							E	E	E
	A						E	E	E	E	E	E	E	E	E	E	E	E	E	E	E	E	E	E	E	E	E	E	E							E	E	E

PART NUMBER	ROWS	SIGNAL									
		10	9	8	7	6	5	4	3	2	1
5-1892903-0	D	E	E	E	E	E	E	E	E	E	-
	C	E	E	E	E	E	E	E	E	E	
	B	E	E	E	E	E	E	E	E	E	
	A	E	E	E	E	E	E	E	E	E	

PART NUMBER	ROWS	POWER		SIGNAL		POWER	
		P4	P3	2	1	P2	P1
5-1892903-1	D	RM	RM	E	E	RA	RA
	C			E	E		
	B			E	E		
	A			E	E		

THIS DRAWING IS A CONTROLLED DOCUMENT.		DWN: C. ZHOU 09JUN2009		TE Connectivity
DIMENSIONS: INCHES		CHK: S. ZHAO 09JUN2009		NAME: PANEL MOUNT CABLE RECEPTACLE HOUSING, WITH GUIDES MULTI-BEAM XLE
TOLERANCES UNLESS OTHERWISE SPECIFIED:		APVD: -	PRODUCT SPEC: 108-2157	
0 PLC ±.01		APPLICATION SPEC: 114-13112		SIZE: A1
1 PLC ±.01		WEIGHT: -		CAGE CODE: 1892903
2 PLC ±.005		FINISH: -		RESTRICTED TO: -
3 PLC ±.002		CUSTOMER DRAWING		SCALE: 1:1
4 PLC ±.0020		SCALE: 1:1		SHEET: 8 OF 8
ANGLES: ±.2°		SCALE: 1:1		REV: F4