

SECTION B-B

* UNDER DEVELOPMENT

CKT SIZE	MATERIAL NO.	COLOR	PACKAGING SPEC
2 CKT	*2035552012	RED	TUBE 2035550003-PK
	*2035552112	BLUE	
	*2035552212	BLACK	
	*2035552312	NATURAL(WHITE)	TAPE & REEL 2035550004-PK
	2035552022	RED	
	2035552122	BLUE	
4 CKT	*2035552222	BLACK	TUBE 2035550003-PK
	*2035552014	BLUE	
	*2035552114	BLACK	
	*2035552214	NATURAL(WHITE)	TAPE & REEL 2035550004-PK
	2035552024	BLUE	
	2035552124	BLACK	
6 CKT	2035552322	NATURAL(WHITE)	TUBE 2035550003-PK
	*2035552016	BLUE	
	*2035552116	BLACK	
	*2035552216	NATURAL(WHITE)	TAPE & REEL 2035550004-PK
	2035552026	BLUE	
	2035552126	BLACK	
	2035552226	NATURAL(WHITE)	

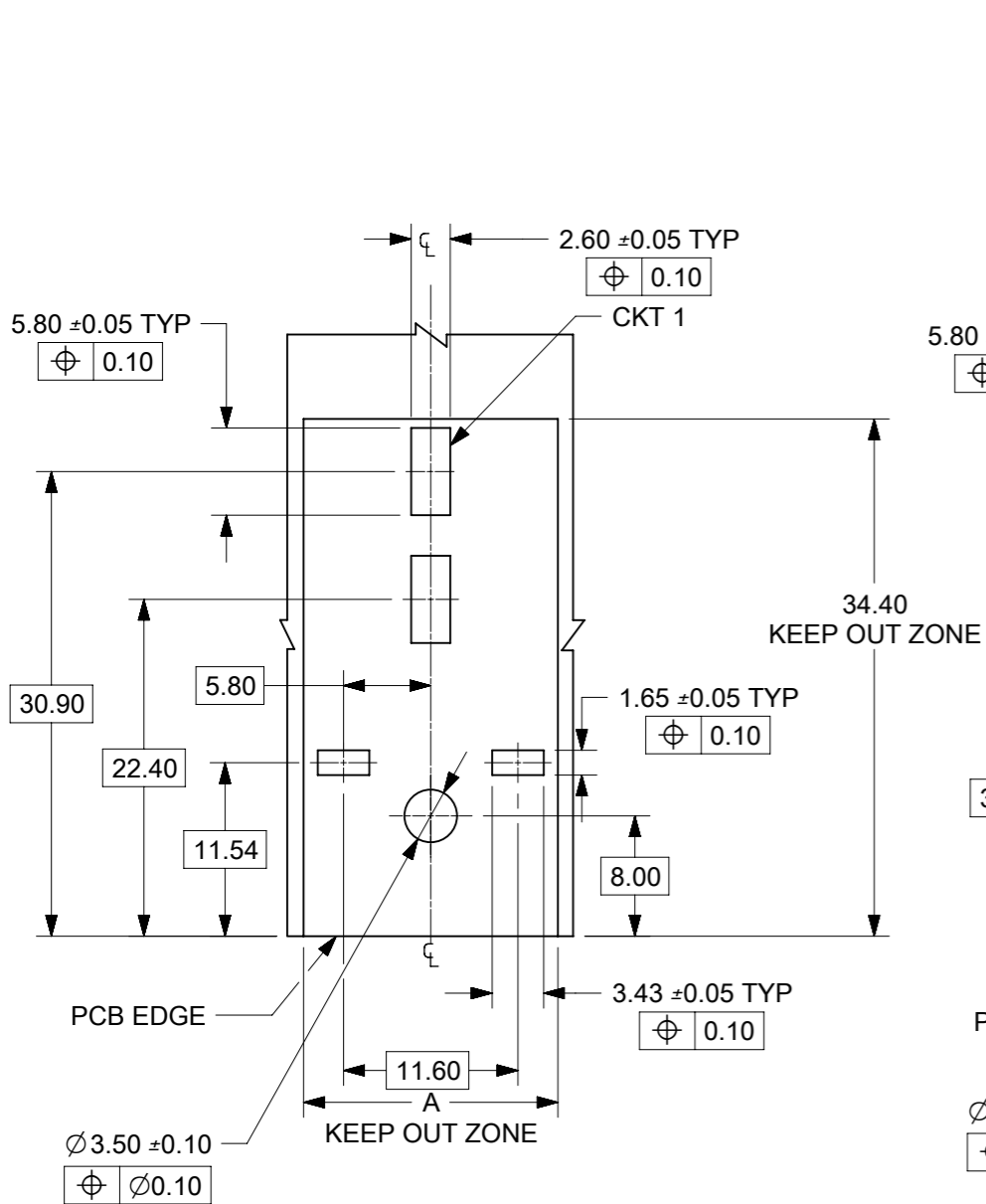
NOTES:

- MATERIALS:
HOUSING : NYLON; UL94 V-0.
TERMINAL : COPPER ALLOY
- FINISHES:
PLATING: TIN OVER NICKEL
- PRODUCT SPECIFICATION: 2035550001-PS
- PACKAGING SPECIFICATION: SEE TABLE
- MATES WITH: 151207 SERIES
- MOLEX RECOMMENDS TO USE 0.28mm STENCIL IN THE CONNECTOR SOLDERING PAD AREA.
- TO AVOID BILSTERING IN THE PARTS MOLEX RECOMMENDS TO STORE THE PARTS WITH MOISTURE BARRIER BAG PACKAGING WITH SEALED CONDITION.
- AFTER REFLOW SOLDER THERE WILL BE COLOR CHANGE IN THE CONNECTOR COMPARED TO NON-REFLOW SOLDERED PARTS.
- THE PART CONFORMS TO CLASS B REQUIREMENTS OF COSMETIC SPEC PS-45499-002.
- RIGHT ANGLE HEADERS ONLY BE MOUNTED AT THE EDGES OF THE PCB.

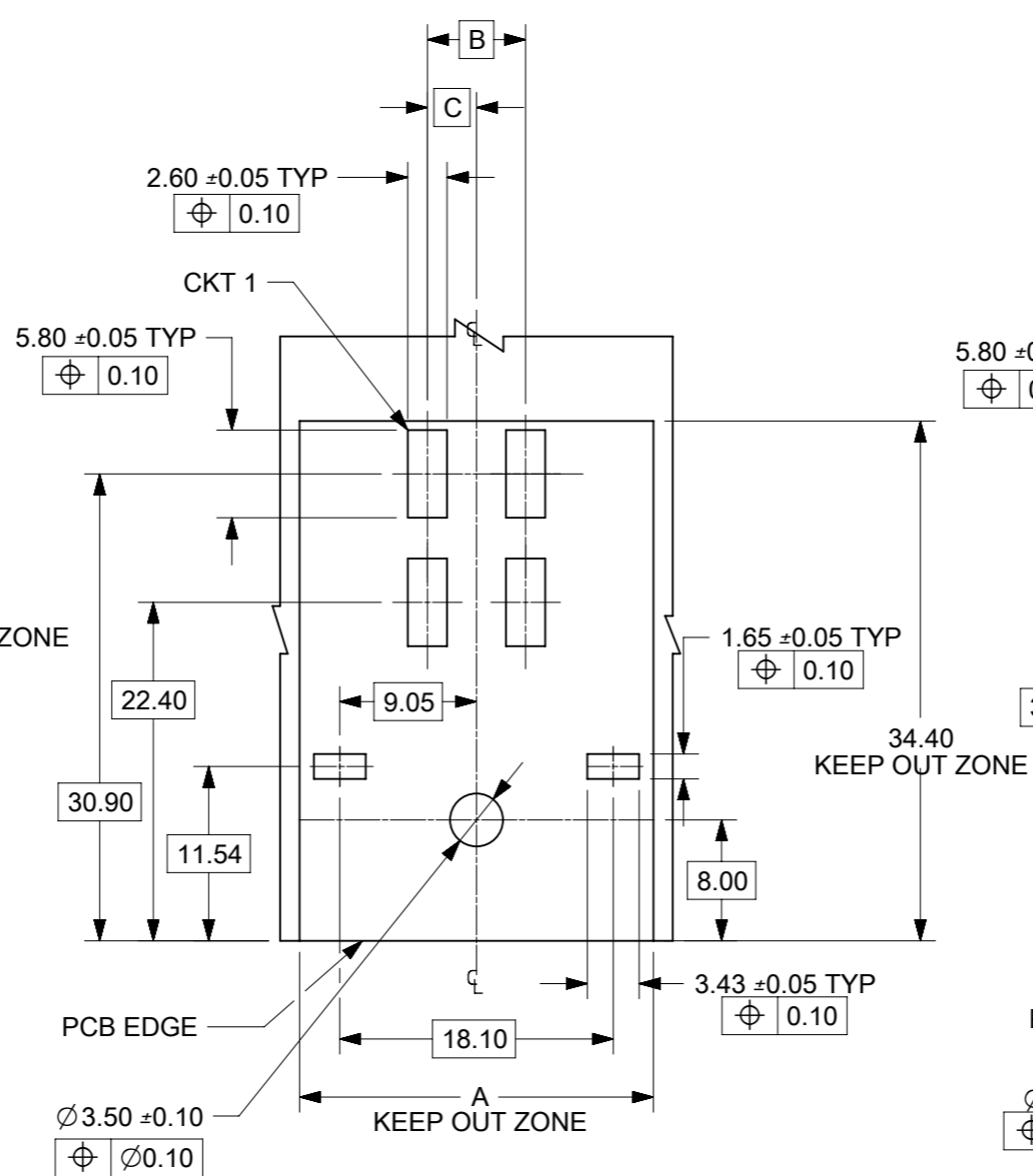
THIS DRAWING CONTAINS INFORMATION THAT IS PROPRIETARY TO MOLEX ELECTRONIC TECHNOLOGIES, LLC AND SHOULD NOT BE USED WITHOUT WRITTEN PERMISSION

DIMENSION UNITS mm	SCALE 4:1	CURRENT REV DESC: INITIAL RELEASE		molex		
GENERAL TOLERANCES (UNLESS SPECIFIED)		EC NO: 611981				
ANGULAR TOL ± 3.0°	4 PLACES ±	DRWN: SMAHAJANSHET	2019/01/29	PRODUCT CUSTOMER DRAWING		
3 PLACES ±	2 PLACES ± 0.2	CHK'D: SCS02	2019/04/26	DOCUMENT NUMBER		
1 PLACE ±	0 PLACES ±	APPR: NCSR	2019/04/26	2035552000-SD		
DRAFT WHERE APPLICABLE MUST REMAIN WITHIN DIMENSIONS	THIRD ANGLE PROJECTION	DRAWING	SERIES	MATERIAL NUMBER	CUSTOMER	SHEET NUMBER
		A3-SIZE	203555	SEE TABLE	GENERAL MARKET	1 OF 3

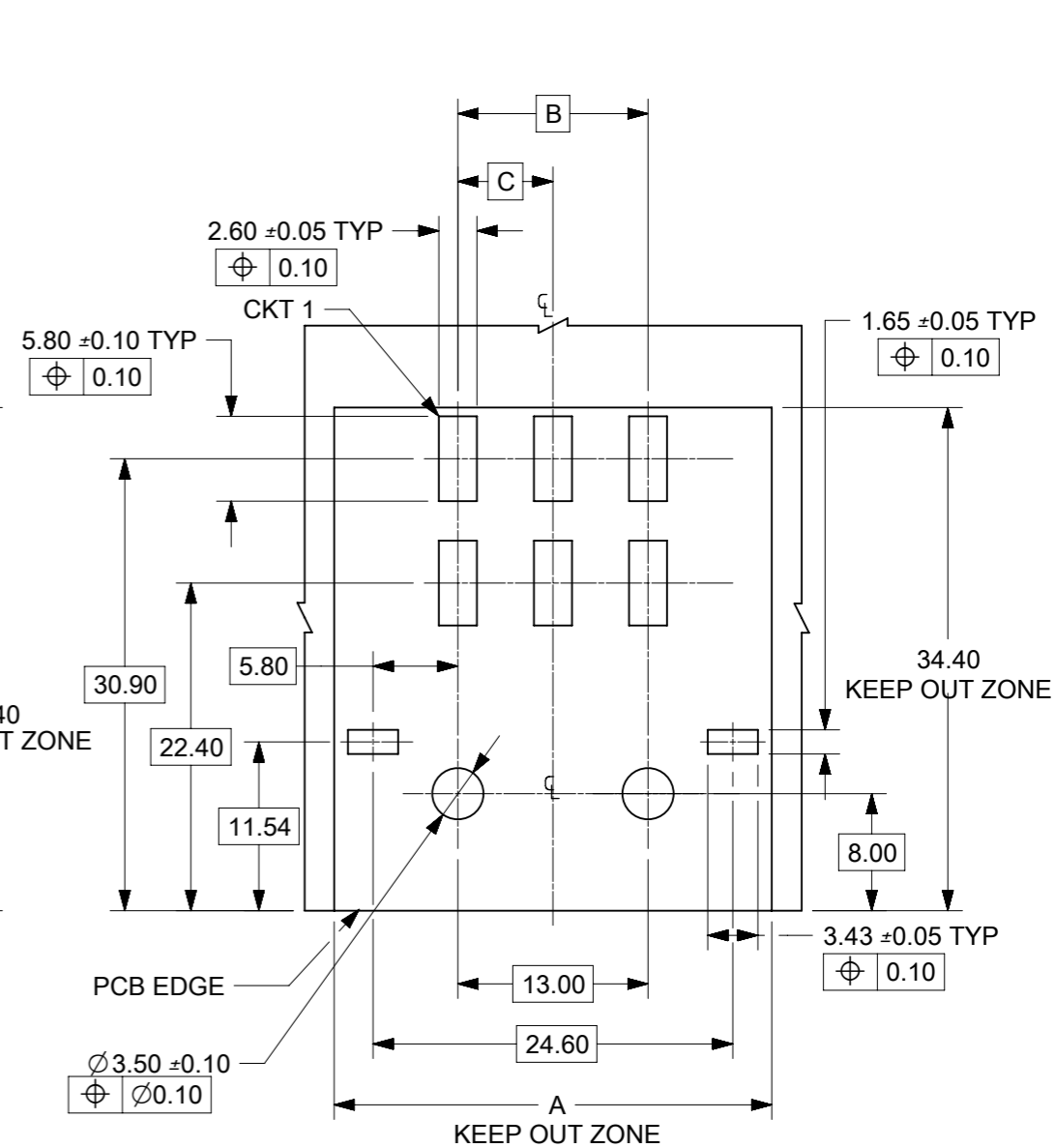
2 CKT PCB LAYOUT



4 CKT PCB LAYOUT



6 CKT PCB LAYOUT



REFERENCE MOUNTING AREA IN PCB
(MOUNTING SIDE, THICKNESS 1.60mm)

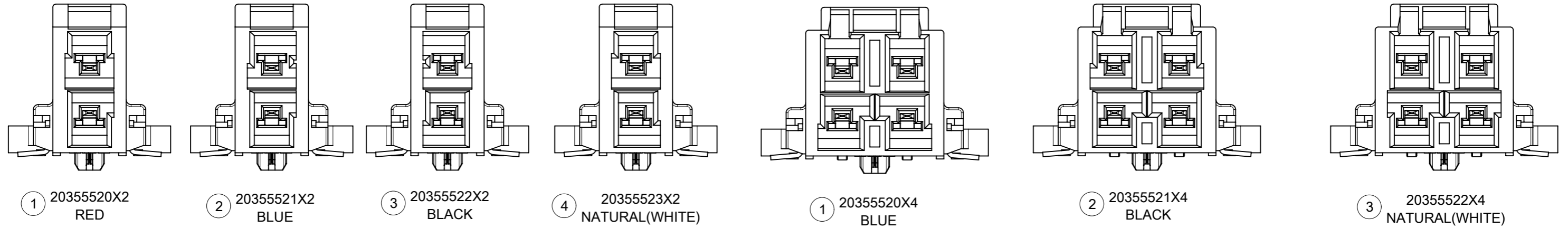
29.27	20.34	6.50	13.00	31.80	2035552XX6	6
22.77	13.84	3.25	6.50	25.30	2035552XX4	4
16.27	7.34	-	-	18.80	2035552XX2	2
E	D	C	B	A	MATERIAL NO.	CKT NO.

THIS DRAWING CONTAINS INFORMATION THAT IS PROPRIETARY TO MOLEX ELECTRONIC TECHNOLOGIES, LLC AND SHOULD NOT BE USED WITHOUT WRITTEN PERMISSION

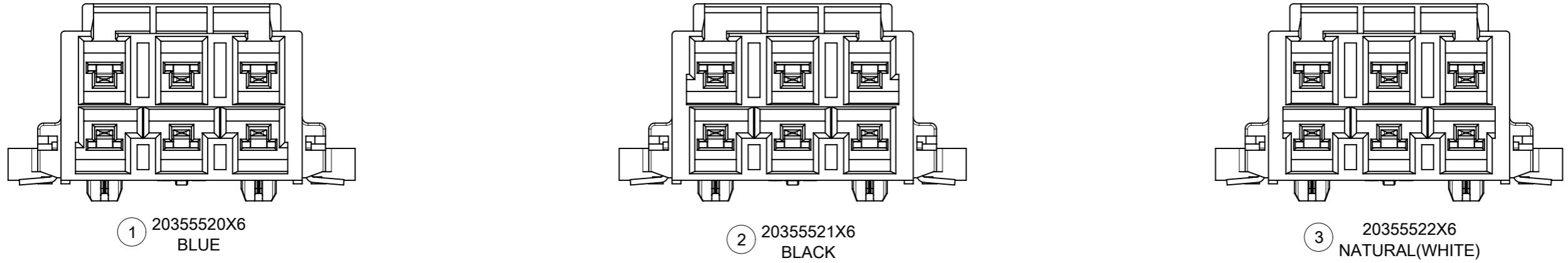
DIMENSION UNITS mm	SCALE 2:1	CURRENT REV DESC: INITIAL RELEASE		molex			
GENERAL TOLERANCES (UNLESS SPECIFIED)		EC NO: 611981					CP6.5 R/A HEADER ASSY SMT WIRE TO BOARD CONNECTOR
ANGULAR TOL ± 3.0°	4 PLACES ±	DRWN: SMAHAJANSHET	2019/01/29	PRODUCT CUSTOMER DRAWING			
3 PLACES ±	2 PLACES ± 0.2	CHK'D: SCS02	2019/04/26	DOCUMENT NUMBER			
1 PLACE ±	0 PLACES ±	APPR: NCSR	2019/04/26	2035552000-SD			
DRAFT WHERE APPLICABLE MUST REMAIN WITHIN DIMENSIONS		THIRD ANGLE PROJECTION	DRAWING	SERIES	MATERIAL NUMBER	CUSTOMER	SHEET NUMBER
			A3-SIZE	203555	SEE TABLE	GENERAL MARKET	2 OF 3

HEADER ASSEMBLY WITH POLARIZATION FEATURES AND COLORS 2 CIRCUIT

HEADER ASSEMBLY WITH POLARIZATION FEATURES AND COLORS 4 CIRCUIT



HEADER ASSEMBLY WITH POLARIZATION FEATURES AND COLORS 6 CIRCUIT



LEGEND

203555 X X X X

- CKT SIZE
- PACKAGING SPEC(TUBE=1/TAPE & REEL=2)
- COLOR (POLARIZATION)
- THRU HOLE=1 / SMT=2
- CP6.5 R/A HEADER ASSY

NUMBER	COLOR	
	2 CKT	4 & 6 CKT
0	RED	BLUE
1	BLUE	BLACK
2	BLACK	NATURAL (WHITE)
3	NATURAL (WHITE)	---

THIS DRAWING CONTAINS INFORMATION THAT IS PROPRIETARY TO MOLEX ELECTRONIC TECHNOLOGIES, LLC AND SHOULD NOT BE USED WITHOUT WRITTEN PERMISSION

DIMENSION UNITS	SCALE	CURRENT REV DESC: INITIAL RELEASE		molex		
mm	2.5:1					
GENERAL TOLERANCES (UNLESS SPECIFIED)		EC NO: 611981		CP6.5 R/A HEADER ASSY SMT WIRE TO BOARD CONNECTOR		
ANGULAR TOL	± 3.0°	DRWN: SMAHAJANSHET	2019/01/29	PRODUCT CUSTOMER DRAWING		
4 PLACES	±	CHK'D: SCS02	2019/04/26	DOCUMENT NUMBER		
3 PLACES	±	APPR: NCSR	2019/04/26	2035552000-SD		DOC TYPE
2 PLACES	± 0.2	INITIAL REVISION:		000	REVISION	
1 PLACE	±	DRWN: SMAHAJANSHET	2019/01/29	A		
0 PLACES	±	APPR: NCSR	2019/04/26	SHEET NUMBER		
DRAFT WHERE APPLICABLE MUST REMAIN WITHIN DIMENSIONS		THIRD ANGLE PROJECTION	DRAWING	SERIES	MATERIAL NUMBER	CUSTOMER
			A3-SIZE	203555	SEE TABLE	GENERAL MARKET
						3 OF 3