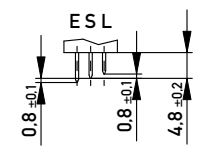
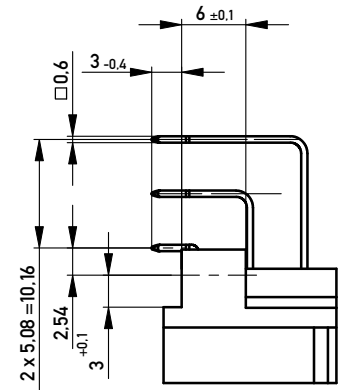


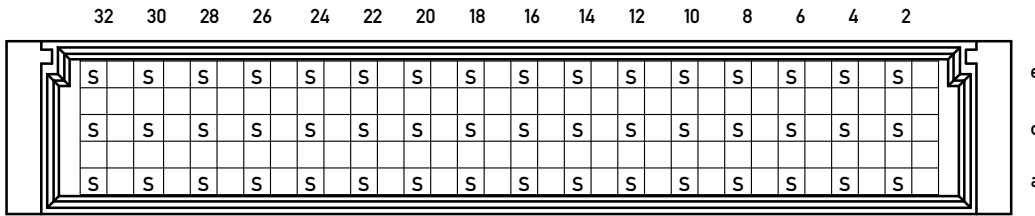
Stecklänge / mating length



E = early mate, late break / voreilend
 S = standard
 L = late mate, early break / nacheilend



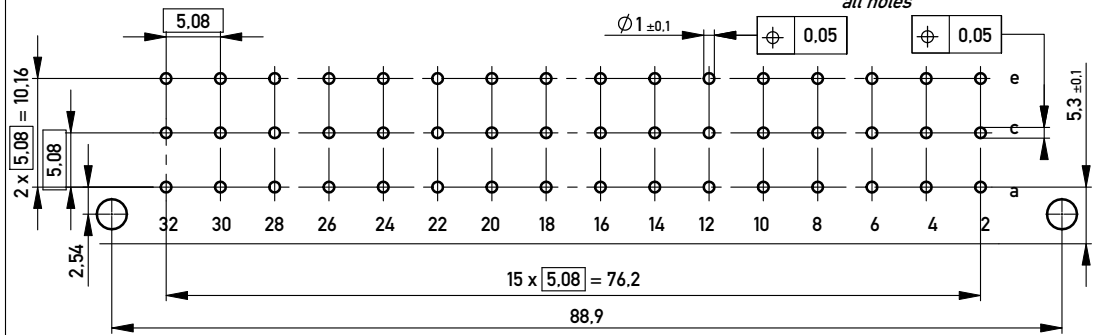
Bestückungsplan / contact layout



Steckseite ACE / Anschlussseite ACE / contact side ACE / terminal Side ACE
 Lötanschluss 0,6 x 0,6 / solder terminal 0,6 x 0,6
 Isolierwerkstoff / housing material : PBT GF 30
 Bauart 4 / Type 4
 Anforderungsstufe 2 = 400 Steckzyklen / performance class 2= 400 mating cycles
 Fehlende Maße und Angaben gemäss IEC 60603-2 / DIN EN 60603-2
 Missing information and dimensions according to IEC 60603-2
 Bedruckung siehe Zeichnung 294905
 Marking see drawing 294905

Leiterplatten-Lochbild / PCB drillhole pattern

Alle Löcher / all holes



Information:		Tolerances	Scale 2:1
All rights reserved. Only for Information. To ensure that this is the latest version of this drawing, please contact one of the ERNI companies before using.		All Dimensions in mm	Designation
Subject to modification without prior notice. Drawing will not be updated.		www.ERNI.com	354872
A	29.10.2008		Class STVE
Index	Date		I A3

Copyright by ERNI GmbH. Proprietary notice pursuant to ISO 16016 to be observed.