

## Slide Beam0824-496-Blue(Singel Pack)

SKU: 60123 Weight: 115.00 Gram

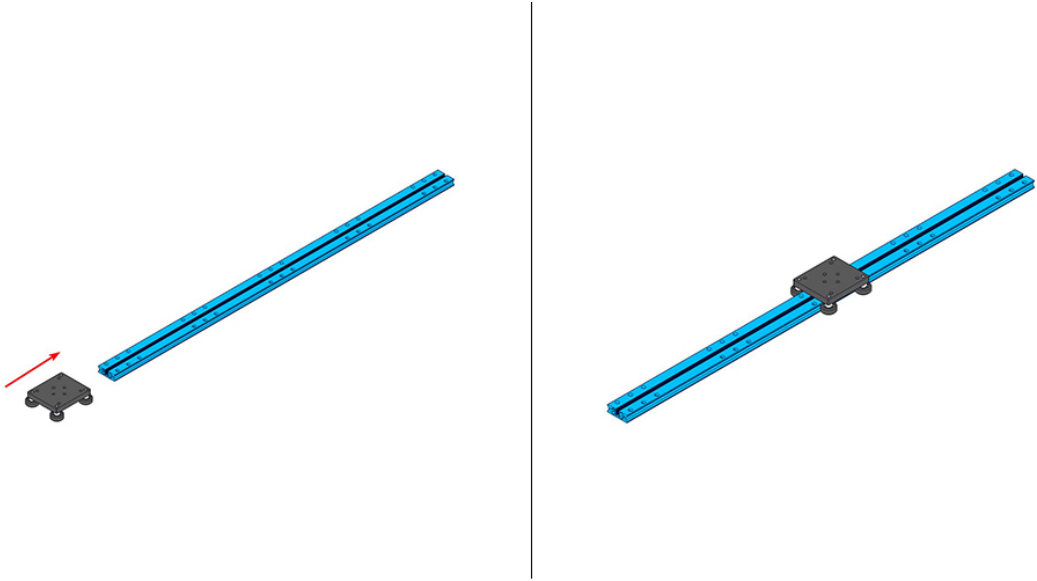
### Slide Beam0824-496

Slide Beam0824-496 is a frequently-used mechanical part of Makeblock platform, and also compatibles with most Makeblock mechanical components. There are various mounting holes and a threaded slot on the plane of this beam which allow you to assemble on other structures easily. This beam can be connected with Slider Plate to build high-precision linear motion structure.

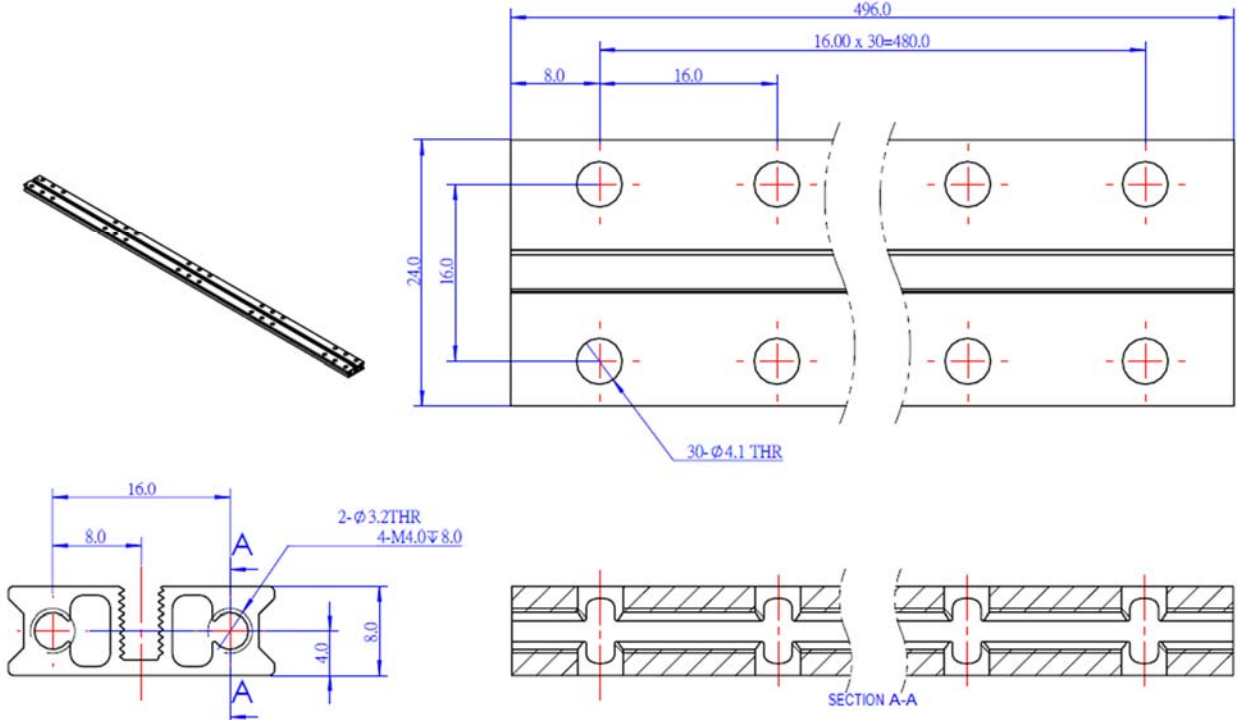
### Features

- ? Made from heavy-duty 6061 aluminum extrusion
- ? With holes on 16mm increments, and M4 threaded holes on both ends
- ? Cross-section area 8x24mm, length 496mm
- ? High wear resistance and high intensity
- ? Strong rigidity

# DEMO



# Size Charts



# Specifications

SKU	60123
Product Name	Slide Beam0824-496-Blue(Singel Pack)
Length	496mm
Cross-section Area	8 x 24mm
Gross Weight	115g (4.06oz)
Package Content (Quantity x Part Name)	1x Slide Beam0824-496-Blue

