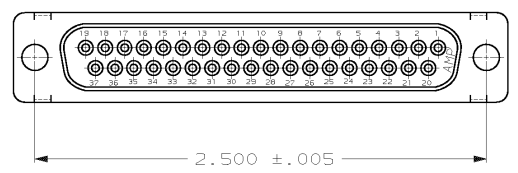
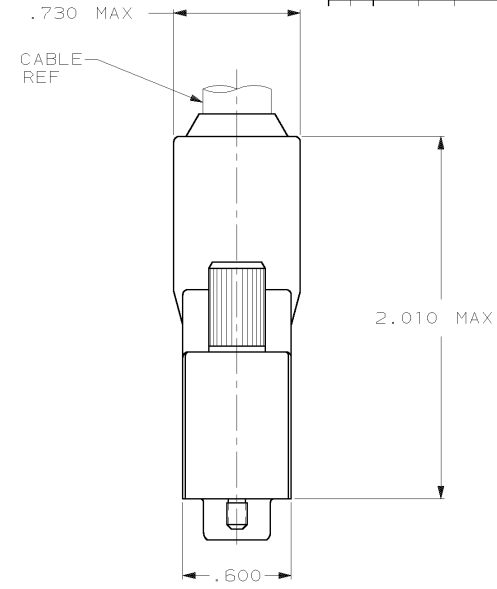
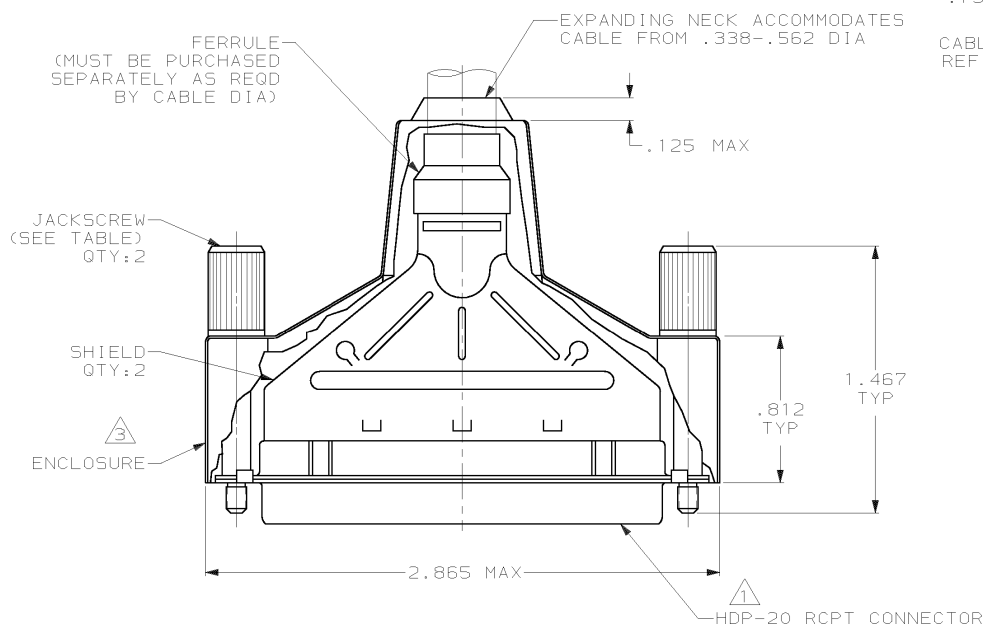


DRAWING MADE IN THIRD ANGLE PROJECTION

THIS DRAWING IS UNPUBLISHED. RELEASED FOR PUBLICATION .19 .
 © COPYRIGHT 19 BY AMP INCORPORATED. ALL INTERNATIONAL RIGHTS RESERVED.

LOC		DIST		REV		ZONE		LTR		REVISIONS		DATE	APPD
GP	00									L	REVISED PER EC 0513-0023-03	14MAY03	JG



- ① RCPT ACCEPTS SIZE 20 DF SOCKET CONTACTS. CONTACTS MUST BE PURCHASED SEPARATELY.
- 2. ALL PARTS SHIPPED UNASSEMBLED.
- ③ FLAME RETARDANT 94V-0 RATED, STYRENE POLYOLEFIN OR PVC, BLACK.
- ④ FLAME RETARDANT 94V-0 RATED GLASS FILLED, NYLON OR POLYESTER, BLACK.
- ⑤ STEEL PER ASTM A109.
- ⑥ TIN PLATING PER MIL-T-10727.
- ⑦ ZINC PLATING PER ASTM B633, TYPE II, CLASS SCI, BLACK CHROMATE.
- ⑧ COMPONENTS INDIVIDUALLY BULK PACKED.
- ⑨ INDIVIDUAL KIT PACKAGING OF COMPONENTS.
- ⑩ SEE RESTRICTED CUSTOMER DRAWING 747957-4.

OBSOLETE	⑧	M3	W/LOGO	747957-5
	-	-	-	⑩
OBSOLETE	⑨	-	W/LOGO	747957-3
OBSOLETE	⑧	-	W/OUT LOGO	747957-2
	⑧	4-40	W/LOGO	747957-1
	PACKAGING	JACKSCREW THREADS	REMARKS	PART NUMBER

DO NOT SCALE PRINT. UNLESS SPECIFIED DIMENSIONS IN INCHES TOLERANCES ON : 2 PLC DEC ± - 3 PLC DEC ± .020 ANGLES ± -		DR 6/4/90 A. STAUB BG	AMP INCORPORATED Harrisburg, Pa. 17105	
MATERIAL INSERT: ④ SHELLS & SHIELDS: ⑤ JACKSCREWS: ZINC ALLOY		CHK 8-31-90 J. McCLINTON		
FINISH SHELLS & SHIELDS: ⑥ JACKSCREWS: ⑦		APPD 9-4-90 BOB TAYLOR	NAME BULK KIT, RCPT, AMPLIMITETM, SHIELDING ENCLOSURE, 37 POSN, SIZE 4, HDP-20	
		APPD 9-4-90 J. ASSINI	SIZE C FSCM NO 00779 DRAWING NO 747957	
		PRODUCT SPEC -	SCALE 2:1 SHEET 1 OF 1	
		APPLICATION SPEC -		
		WEIGHT -		