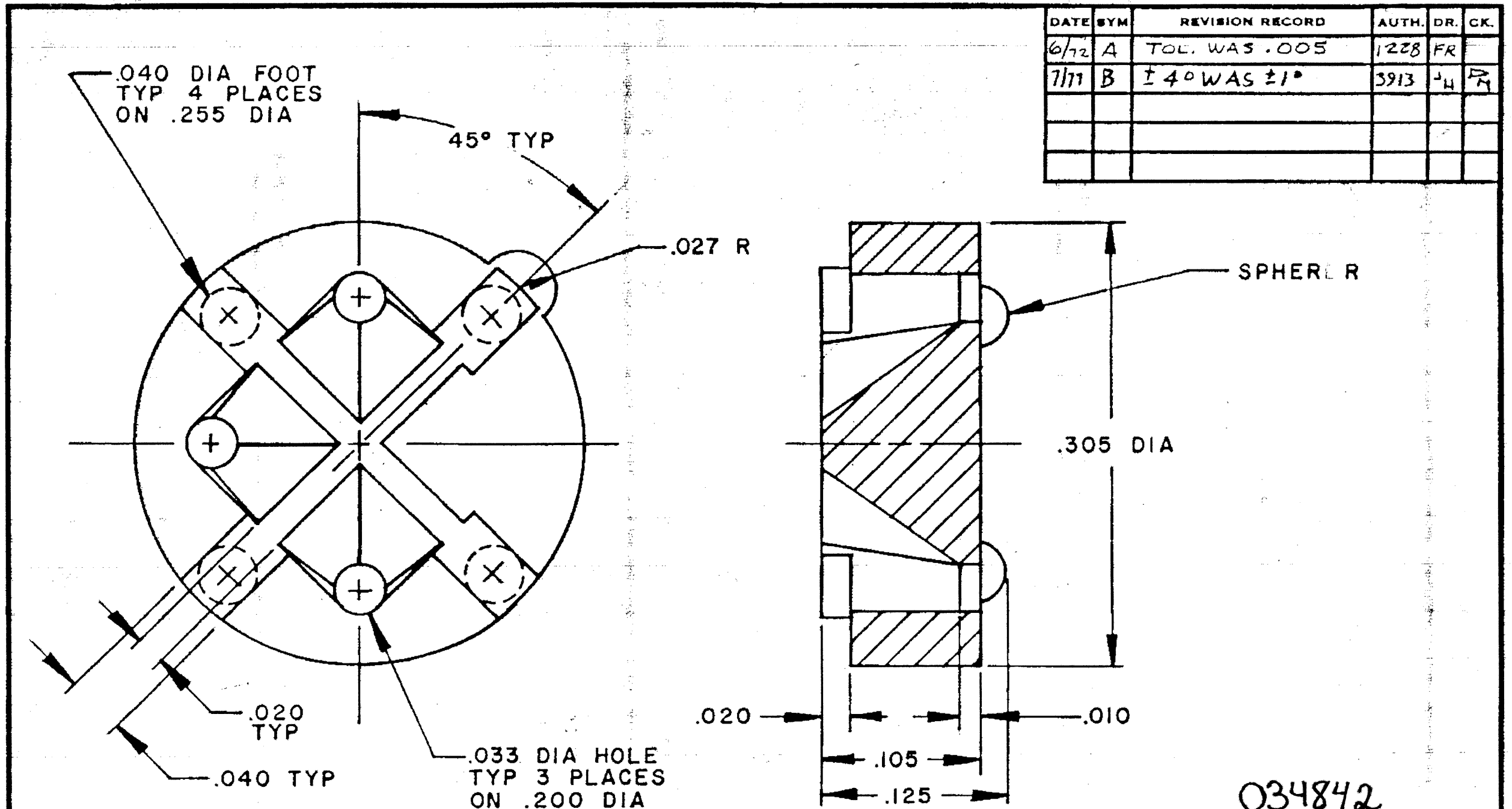


034842

REVISION RECORD			
ECN NO.	CUSTOMER REV	AAID REV	DATE
11610	B	A	1/22/01

034843

REVISION RECORD			
ECN NO.	CUSTOMER REV	AAID REV	DATE
11610	B	A	1/22/01



034842  
034843

PART NO.	MATERIAL
7717-139N	NYLON PER MIL-M-20693A
7717-139DAP	DIALLYL PHTHALATE PER MIL-M-14F TYPE SDG

TOLERANCES (EXCEPT AS NOTED)		THERMALLOY COMPANY	
DECIMAL •XX=±.015 •XXX=±.010	SCALE NONE	DRAWN BY W.D.D.	
FRACTIONAL ± 1/64	TITLE TO-18 TO TO-5 CONVERTOR		
ANGULAR ± 4°	DATE 11-11-66	DRAWING NUMBER 7717-139	