

LAYOUT SHOWN AS EXAMPLE

Keying Shown as example

CHARACTERISTICS

- Standard : Based on MIL-DTL-38999 Series III
- Shell Material : Aluminium
- Shell Plating : Olive drab Cadmium
- Insulator : Thermoplastic
- Contacts : Copper Alloy
- Seals & Grommet : Silicon Elastomer
- Contact Plating : Gold over copper Alloy 0.8µm minimum
- Durability : 500 Mating cycles
- Delivered with Souriau contacts and Accessories
- Temperature Range : -65°C to +175°C
- Salt Spray : 500 hours

Connector dimension	
Dim	Nominal
A	55.6±0.3
B	39.67+0.1/-0.15
R	32.5Max
S	52.4±0.4
W	3+0.9/-0.1
VV THREAD	M34x1-6g

SOURIAU shall not be liable for any non-conformity or damage due to a use of the Products which does not comply with the Specifications issued by either of the Parties or by a third party (professional recommendation, technical notice.)

Country	Jurisdiction & Control List
FR	Not Listed

PN: 8D723W06PC

A	01-10-2016	First Release	
ISS	DATE	Latest modification - by	MOD N°
Designed By:		Date:	CUSTOMER DRAWING
TITLE	Aluminium Receptacle 8D series		
SCALE		General linear Tolerances: ±--	NPRDS / PROJECT 859
NA			
SOURIAU	WWW.SOURIAU.COM		This document is the property of SOURIAU it must not be reproduced or communicated without permission
FORMAT A3	SOURIAU DRG N° 8D723W06PC-C		SHEET 1/2

BASIC SERIES:	8D	7	-	23	W	06	P	C	ORIENTATION : C
SHELL TYPE :	Jam nut Receptacle								
CONTACT TYPE :	Standard Crimp Contact								
SHELL SIZE :	23								
PLATING :	W = Olive drab Cadmium								
	CONTACT TYPE : PIN(500 Matings)								
	CONTACT LAYOUT : 23-06								

Contact Layout

06

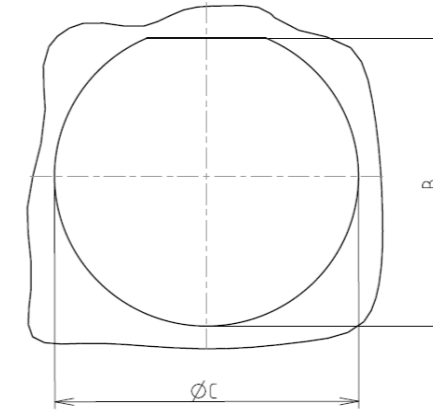


6#8 Concentric
Twinax
Service M

23-06		
Ctc	X	Y
A	0	9.24
B	8.81	2.87
C	5.43	-7.49
D	-5.43	-7.49
E	-8.81	2.87
F	0	0

Panel cutout

JAM NUT RECEPTACLE (TYPE 7)



Dim	Nominal
B	40.26+0/-0.25
ØC	41.53+0.25/-0

SOURIAU shall not be liable for any non-conformity or damage due to a use of the Products which does not comply with the Specifications issued by either of the Parties or by a third party (professional recommendation, technical notice.)

Country	Jurisdiction & Control List
FR	Not Listed

PN: 8D723W06PC

A	01-10-2016	First Release	
ISS	DATE	Latest modification - by	MOD N°
Designed By:		Date:	CUSTOMER DRAWING
TITLE	Aluminium Receptacle 8D series		
SCALE		General linear Tolerances: ±--	NPRDS / PROJECT 859
NA			
SOURIAU	WWW.SOURIAU.COM		This document is the property of SOURIAU it must not be reproduced or communicated without permission
FORMAT	SOURIAU DRG N° 8D723W06PC-C		SHEET 2/2