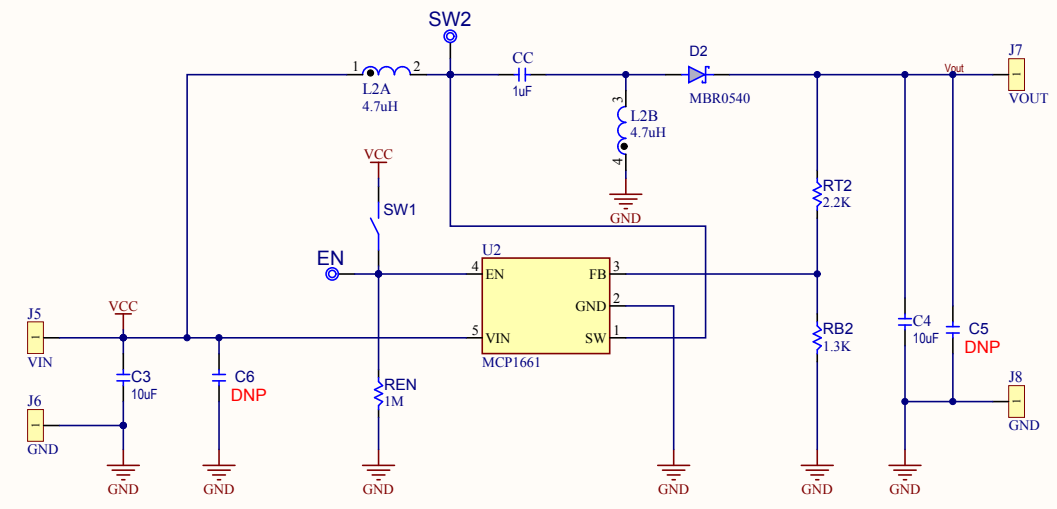
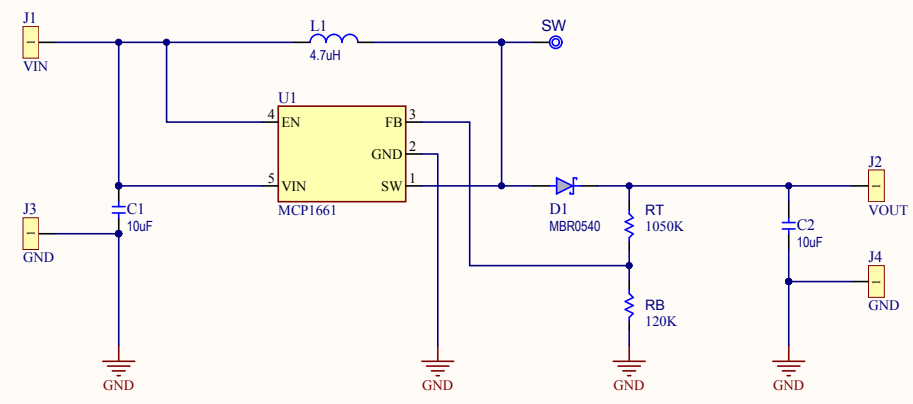


REV	ECO #	DESCRIPTION	DATE



Drawn By: Stefan Ponova			
Engineer: Stefan Ponova			
PartNumber: ADM00566		Project Title MCP1661 Evaluation Board	
Sheet Title MCP1661			
Size B	Sch #: 03-10254	Date: 6/18/2014 12:47:27 PM	Revision: 1
File: MCP1661.SchDoc		Sheet 1 of 1	
			Designed with