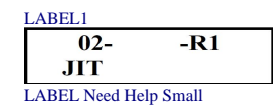
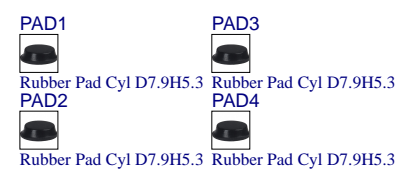
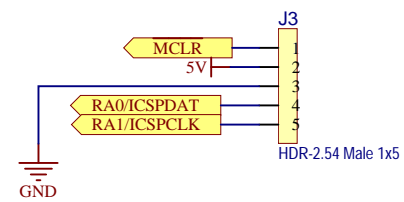
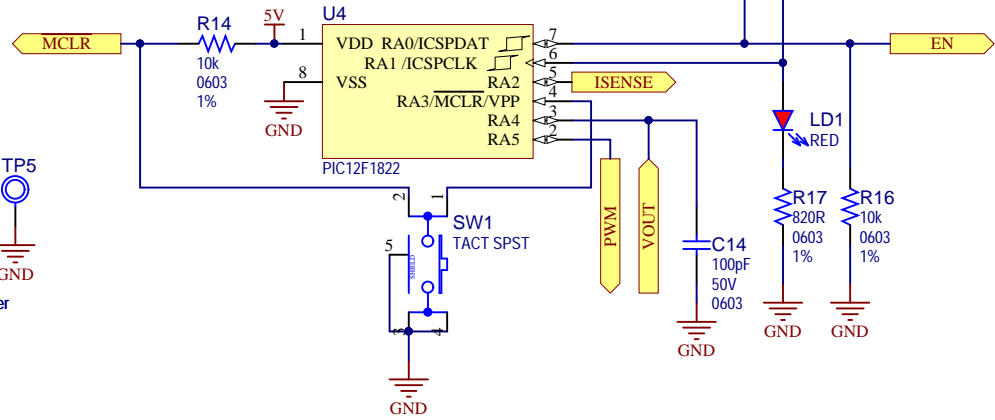
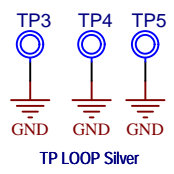
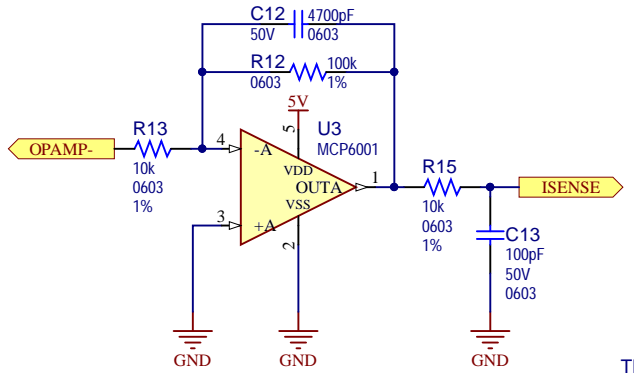
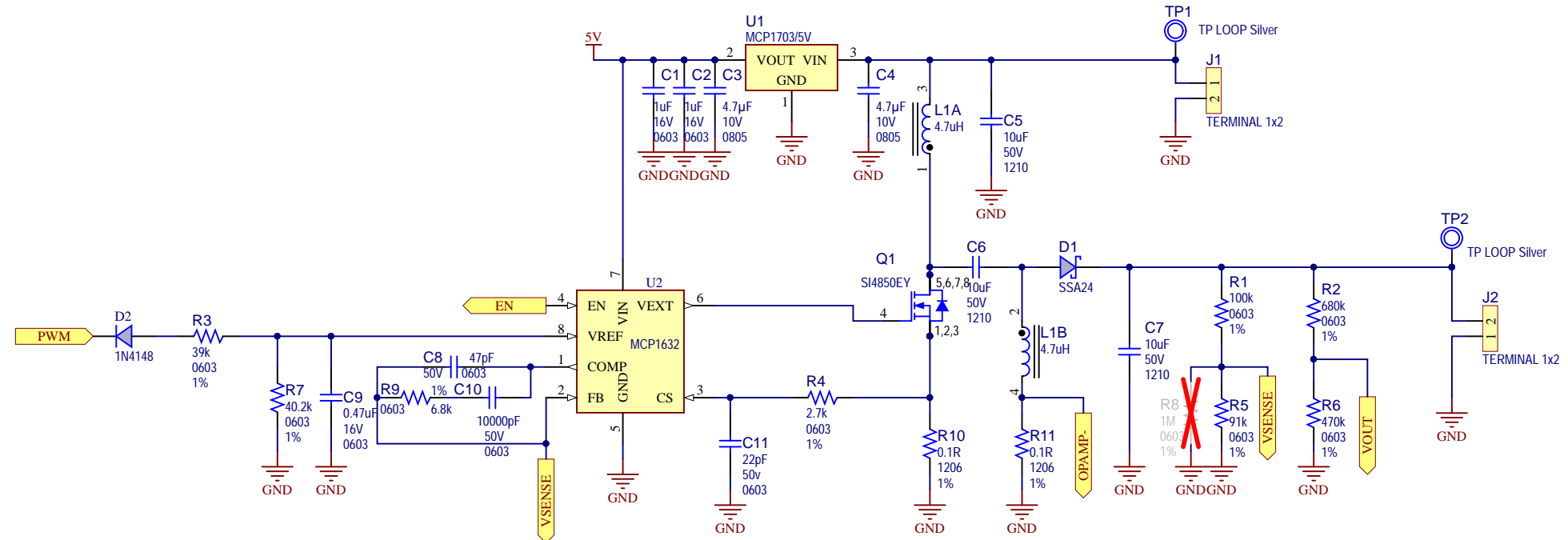


| REV | ECO# | DESCRIPTION | DATE |
|-----|------|-------------|------|
| | | | |



| | | | |
|---|--|----------------------------|--|
| Drawn By: Marius Dracea | | | |
| Engineer: Marius Dracea | | | |
| PartNumber: ARD00558 | Project Title MCP1632 Single-Cell Li-Ion Battery Charger | Variant: Standard | |
| Sheet Title MCP1632 Single-Cell Li-Ion Battery Charger | | | |
| Size B | Sch #:03-10240 | Date: 7/23/2019 5:09:42 PM | |
| Revision: 1 | | Sheet 1 of 1 | |
| File: B_Microchip.SchDoc | | | |