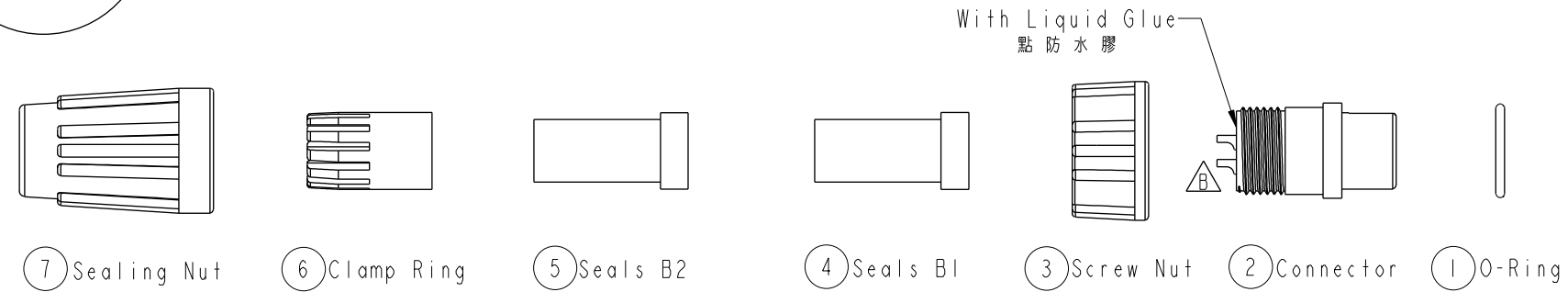


THIS DOCUMENT IS SUBJECT TO CHANGE WITHOUT NOTICE. IT IS CONFIDENTIAL AND A PROPERTY OF AMPHENOL LTW. DISCLOSURE TO THIRD PARTY HAS TO BE AUTHORIZED BY AMPHENOL LTW.

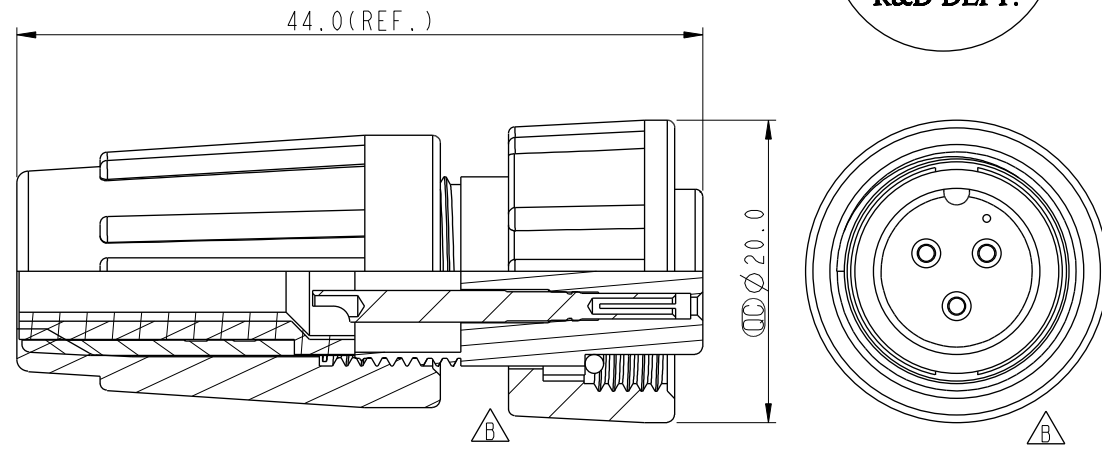
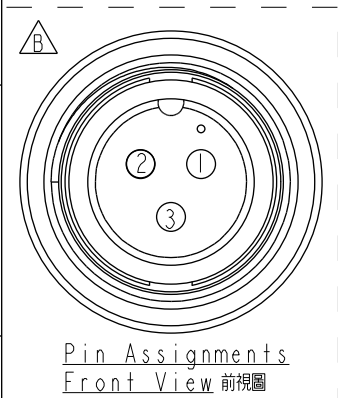
REV.	ECN NO.	DATE	SIGN	DESCRIPTION
B	LEN-0C0555	2010/11/26	Ivan	Change View

**ALTW**  
 DCC. DEPT.  
 CONFIDENTIAL  
 2012-03-26  
**ISSUED**



**ALTW**  
 CONFIDENTIAL  
 2012-03-15  
 R&D DEPT.

- Note:
- \*  $\varnothing$  Important Dimension.
  - \* Waterproof Rate : IP66
  - \* Housing: Nylon+GF ,Black
  - \* Female Pin: Copper Alloy,Gold Plated
  - \* O-Ring: EPDM ,Black
  - \* Screw Nut: Nylon+GF ,Black
  - \* Seals: EPDM ,Black
  - \* Clamping Ring: Nylon ,Black
  - \* Sealing Nut: Nylon ,Black
  - \* Seals B1 for Cable OD:  $\varnothing 4.5\text{mm} \sim \varnothing 6.5\text{mm}$   
(防水墊圈B1線徑:  $\varnothing 4.5\text{mm} \sim \varnothing 6.5\text{mm}$ )
  - \* Seals B2 for Cable OD:  $\varnothing 3.5\text{mm} \sim \varnothing 5.3\text{mm}$   
(防水墊圈B2線徑:  $\varnothing 3.5\text{mm} \sim \varnothing 5.3\text{mm}$ )
  - \* One Set Unassembled in One PE Bag  
(每一組未組裝,放置於一個PE袋,並封口)
  - \* PE Bag: 90mm\*85mm



UNIT: mm		TITLE Standard, Assy Screw 3Pin F Conn F Pin			ITEM NO. BD-03BFFA-SL6001	DRAWN BY SamChang	DATE 2012-03-15
		TOLERANCE .X ±0.25 .XX ±0.1 .XXX ±0.05 ANGLES ±1°	SCALE 1:1	SIZE A4	SHEET 1 OF 1	DWG NO. BD-03BFFA-SL6001	CHECKED BY Jeffrey
		REV. B	WC-REV. A.2	QC: Inspection item	CUSTOMER ALTW	APPROVED BY Kevin	DATE 2012-03-26

**Amphenol LTW**  
 安費諾亮泰企業股份有限公司