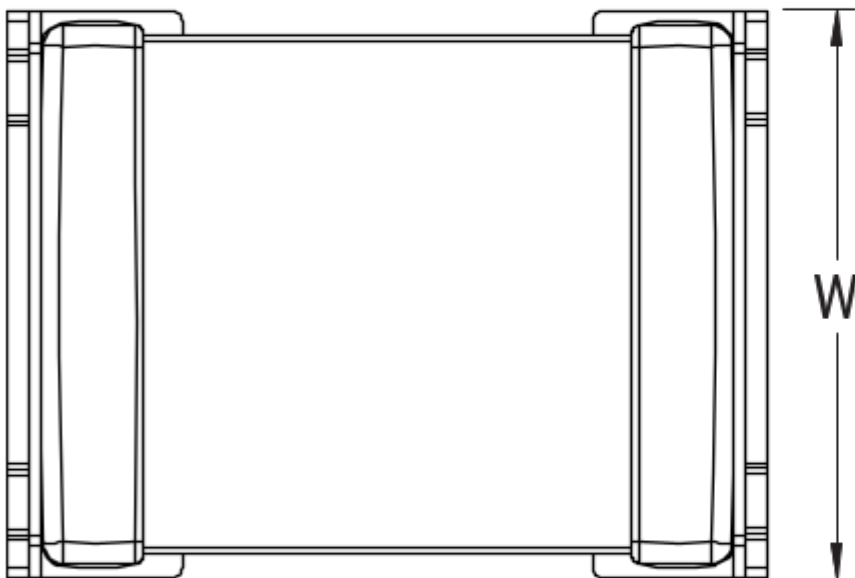


C1210C106M3N2C7186

KPS SMD Comm X8L HT150C, Ceramic, 10 uF, 20%, 25 VDC, X8L, 1210-2

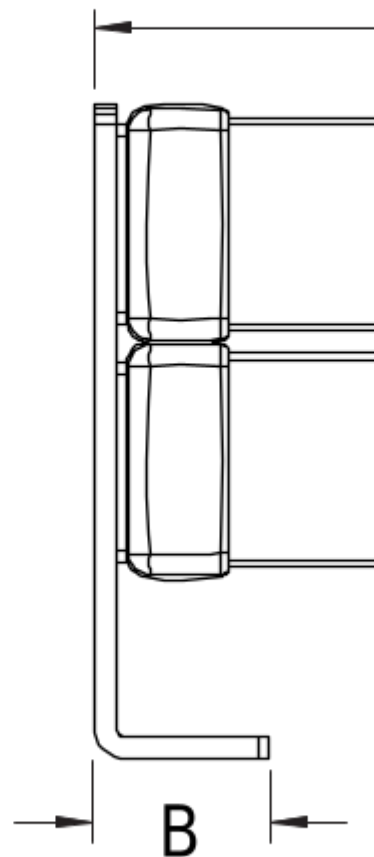
TOP VIEW

Single or Double Chip Stack



SI

Double



Click [here](#) for the 3D model.

Dimensions

L 3.5mm +/-0.3mm

W 2.6mm +/-0.3mm

T 6.15mm +/-0.15mm

B 0.8mm +/-0.15mm

Packaging Specifications

Packaging T&R, 180mm, Plastic Tape

Packaging Quantity 300

General Information

Series KPS SMD Comm X8L HT150C
Style Stacked Chip
Description SMD, MLCC, Stacked, Double Chip, High Temperature
Features High Temperature
RoHS Yes
Termination Tin
AEC-Q200 No
Component Weight 290 mg
Chip Size 1210-2
Shelf Life 78 Weeks
MSL 1

Specifications

Capacitance 10 uF
Measurement Condition 1 kHz 1.0Vrms
Capacitance Tolerance 20%
Voltage DC 25 VDC
Dielectric Withstanding Voltage 62.5 VDC
Temperature Range -55/+150°C
Temperature Coefficient X8L
Capacitance Change with Reference to +25°C and 0 VDC Applied (TCC) +15% (-55C to +125C), +15/-40% (125C to 150C), 1kHz 1.0Vrms
Dissipation Factor 2.5% 1 kHz 1.0Vrms
Aging Rate 3% Loss/Decade Hour: Referee Time is 1000 Hours
Insulation Resistance 50 MOhms

Statements of suitability for certain applications are based on our knowledge of typical operating conditions for such applications, but are not intended to constitute - and we specifically disclaim - any warranty concerning suitability for a specific customer application or use. This Information is intended for use only by customers who have the requisite experience and capability to determine the correct products for their application. Any technical advice inferred from this Information or otherwise provided by us with reference to the use of our products is given gratis, and we assume no obligation or liability for the advice given or results obtained.

Generated 5/18/2023 - 83944832-729a-4e28-9d9d-ac6a3ea8a1ab

© 2006 - 2023 KEMET

Generated 5/18/2023 - 83944832-729a-4e28-9d9d-ac6a3ea8a1ab

© 2006 - 2023 KEMET