

CABLE 378 RF: I-PEX MHF 4L TO 1.13 CABLE TO RP SMA S/T BULKHEAD JACK WITH O-RING (IP67/68), 6GHz

SPECIFICATIONS:

1. I-PEX MHF 4L PLUG, P/N: 20565-001R-13
2. 1.31MM COAXIAL CABLE, COLOR: BLACK
3. SMA STRAIGHT BULKHEAD JACK WITH O-RING RATED TO IP67/68, P/N: RFCT-SMA071-F78.

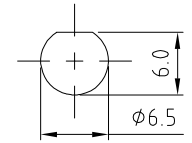
ENVIRONMENTAL:

- A. BULKHEAD MOUNTED CONNECTOR (RFCT-SMA071-F78) RATED TO THE FOLLOWING SPECIFICATION:
- i. IP6X - DUST TIGHT - NO PARTICLE INGRESS.
  - ii. IPX7 WATERPROOF FOR 30 MINUTES UP TO 1 METER UNDERWATER.
  - iii. IPX8 WATERPROOF FOR 48 HOURS AT 1 METER UNDERWATER.

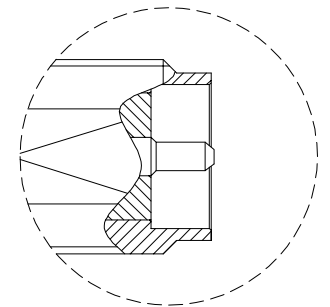
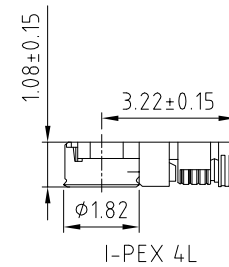
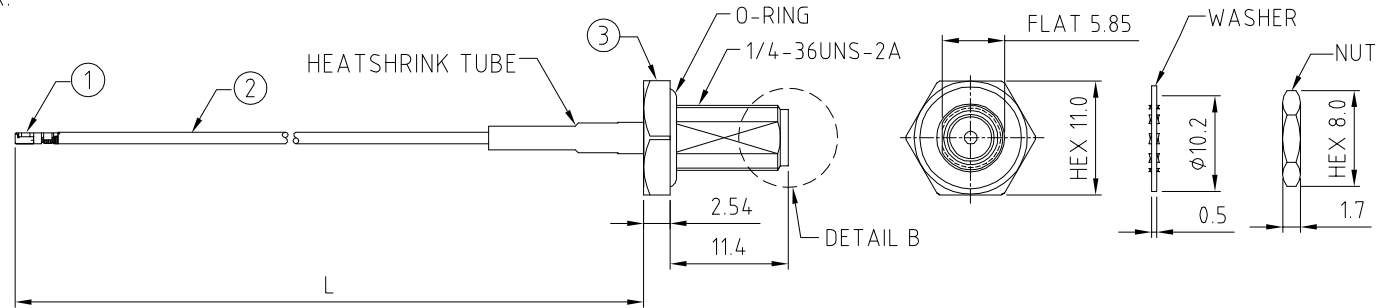
NOTES:

1. THE ORIENTATION OF CONNECTORS ON DRAWING IS FOR REFERENCE ONLY, IF THE ORDER IS LEFT BLANK THE CONNECTOR WILL NOT HAVE FIXED ORIENTATION.
2. FIXED ORIENTATION IS SUGGESTED FOR CABLE LENGTH 50MM TO 100MM. PLEASE SPECIFY THE FIXED ORIENTATIONS FROM THE ORDER CODE (F1, F2, ETC)
3. CONTACT GRADCONN IF THE ORIENTATION YOU REQUIRE IS NOT SHOWN.
4. WORKING FREQUENCY RANGE: DC-6GHz.
5. OPERATING TEMPERATURE: -40°C~+85°C.
6. IMPEDANCE: 50 Ohm.

**USAGE PRECAUTIONS: CABLES USING 'MICRO' COAX ARE DELICATE:**  
 (i) HANDLE WITH CARE.  
 (ii) DO NOT TWIST; APPLY EXCESSIVE FORCES OR SHARP BENDS TO THE CABLE. DO NOT FORCEFULLY DEFORM WIRES.  
 (iii) CONSULT CONNECTOR MANUFACTURER'S DATASHEETS FOR DETAILED NOTES ON HANDLING INSTRUCTIONS.



RECOMMENDED SMA MOUNTING HOLE



DETAIL B SCALE 3:1

HOW TO ORDER

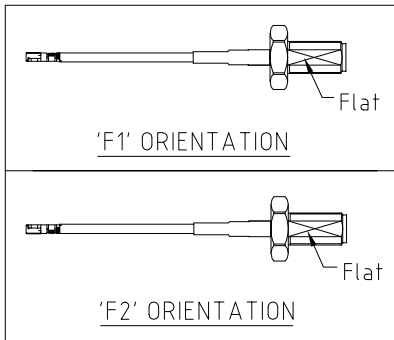
CABLE 378 RF - X X X - X X - X - 1

"L" LENGTH IN MM:  
 eg: 100MM = 100  
 (MIN. 050-MAX.400)  
 STANDARD = 100, 150, 200)  
 Tolerance: 50-200mm: ±5mm.  
 201-400mm: ±7mm.

CABLE SIZE:  
 1 = Ø1.13MM CABLE, COLOR: BLACK

WASHER AND NUT OPTIONS:  
 BLANK = SEPARATELY PACKED (STANDARD)  
 A = ASSEMBLED WITH CONNECTOR

ORIENTATION OPTIONS:  
 BLANK = DOES NOT HAVE A FIXED ORIENTATION  
 F1 = MHF CONNECTION DOWN (L=50-200MM)  
 F2 = MHF CONNECTION UP (L=50-200MM)  
 (SEE NOTES 1, 2, 3 AND DIAGRAMS FOR MORE INFORMATION)



REV. DATE & DRN  
 10 19/07/20 - CC RELEASE  
 11 28/04/20 - NYW  
 12 24/07/20 - NYW  
 13 24/07/20 - NYW  
 REMOVE NOTE 7  
 AMEND OPERATING TEMP.

Scale: NTS	THIRD ANGLE	Unstated: X	Tolerances: N/A
Drawn: CC		XX	N/A
App'd: XXX	Title: CABLE ASSEMBLY	XXX	N/A
Date: 24 JUL '20	Revision: 1.2	ANGLES	N/A
	Unit: mm		

IP67/68 Rated Cables

www.gradconn.com

Type: Cable 378 RF
CABLE 378 RF
Drawing Number:
Sheet 1 of 1
Drawing © E and O E