

NOTES: UNLESS OTHERWISE SPECIFIED

1. ALL RESISTORS ARE IN OHMS
2. ALL CAPACITORS ARE IN FARADS
3. INSTALL SHUNTS AT J4 - J8 PIN 1 AND 2

Customer Notice:

Linear Technology has made a best effort to design a circuit that meets customer-supplied specifications; however, it remains the customer's responsibility to verify proper and reliable operation in the actual application. Component substitution and printed circuit layout may significantly affect circuit performance or reliability. Contact Linear Technology Applications Engineering for assistance.

This circuit is proprietary to Linear Technology and supplied for use with Linear Technology parts.



1630 McCarthy Blvd.
Milpitas, CA 95035
PH: (408) 432-1900

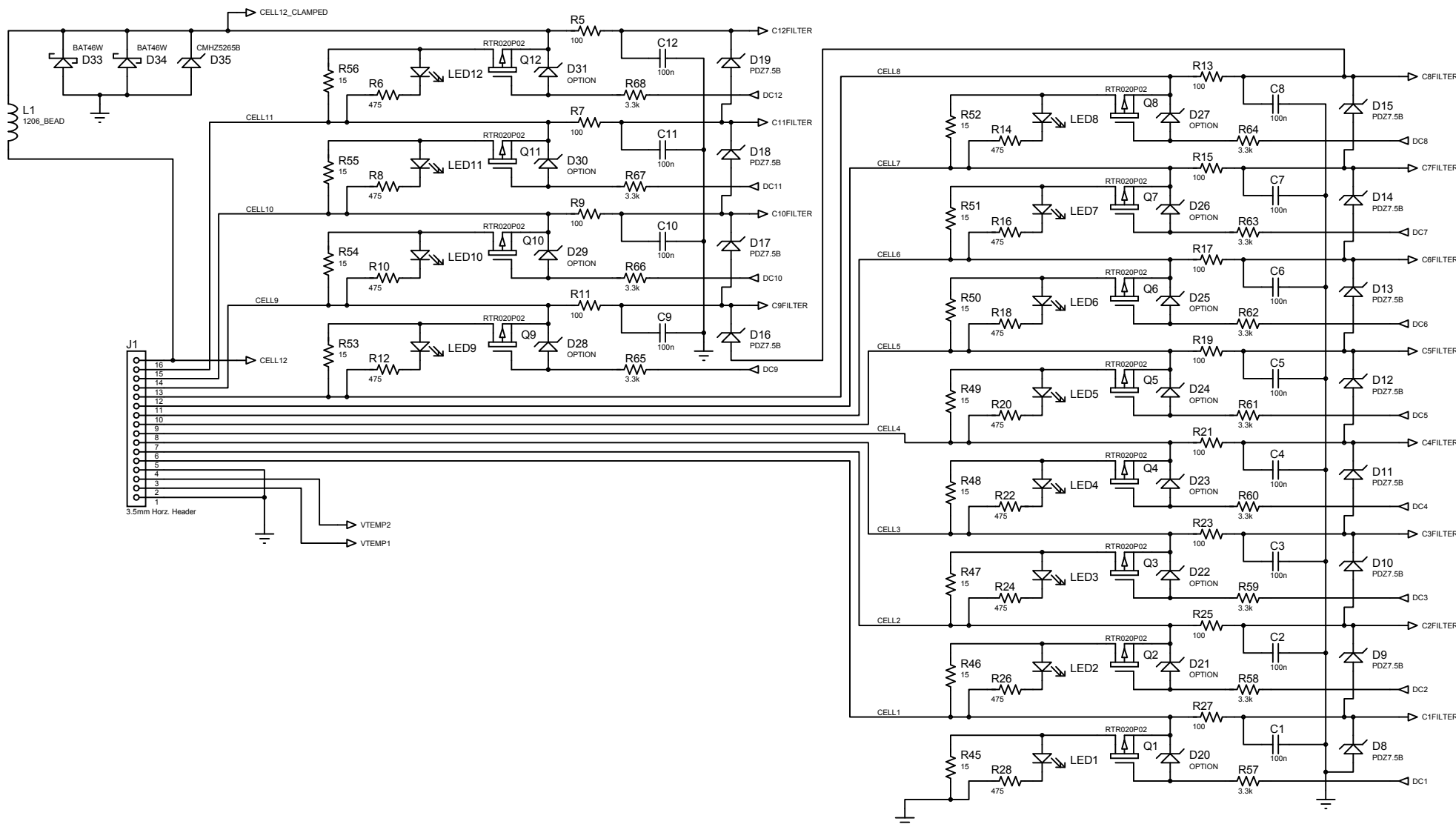
DC1331D SCHEMATIC


LTC6802IG-1 12-CELL BATTERY STACK MONITOR

Sourcefile: DC1331D.DSN

J. Munson 6/4/2009

SH 1 of 2



 LINEAR TECHNOLOGY		1630 McCarthy Blvd. Milpitas, CA 95035 PH: (408) 432-1900
DC1331D SCHEMATIC		
LTC6802IG-1 12-CELL BATTERY STACK MONITOR		
Sourcefile: DC1331D.DSN		
J. Munson 6/4/2009		SH 2 of 2