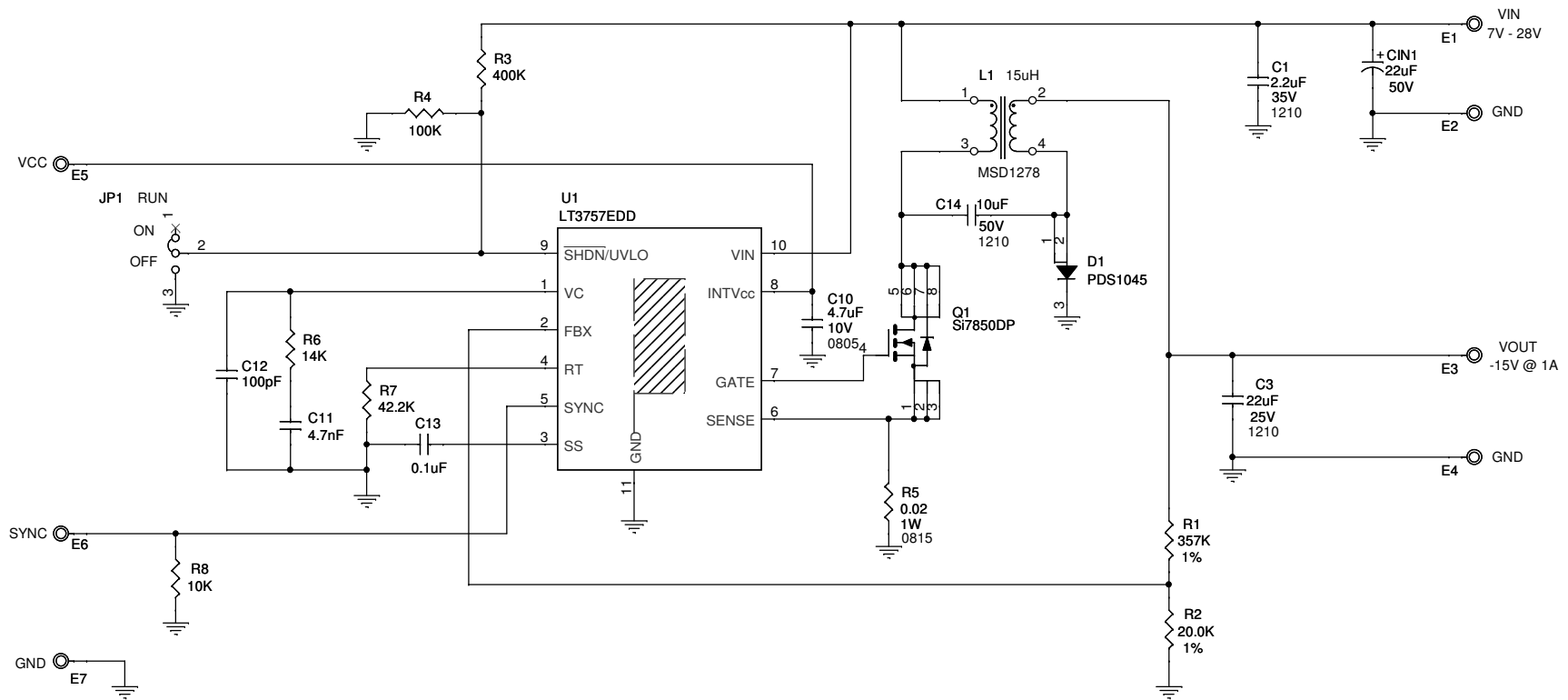



REVISION HISTORY				
ECO	REV	DESCRIPTION	APPROVED	DATE
—	1	PRODUCTION	GEORGE Q.	4-26-10



NOTE: UNLESS OTHERWISE SPECIFIED

1. ALL RESISTORS ARE IN 0603.
ALL CAPACITORS ARE IN 0603.
2. INSTALL SHUNT AS SHOWN.

CUSTOMER NOTICE		APPROVALS		 1630 McCarthy Blvd. Milpitas, CA 95035 Phone: (408)432-1900 www.linear.com Fax: (408)434-0507 LTC Confidential-For Customer Use Only	
LINEAR TECHNOLOGY HAS MADE A BEST EFFORT TO DESIGN A CIRCUIT THAT MEETS CUSTOMER-SUPPLIED SPECIFICATIONS; HOWEVER, IT REMAINS THE CUSTOMER'S RESPONSIBILITY TO VERIFY PROPER AND RELIABLE OPERATION IN THE ACTUAL APPLICATION. COMPONENT SUBSTITUTION AND PRINTED CIRCUIT BOARD LAYOUT MAY SIGNIFICANTLY AFFECT CIRCUIT PERFORMANCE OR RELIABILITY. CONTACT LINEAR TECHNOLOGY APPLICATIONS ENGINEERING FOR ASSISTANCE.		PCB DES.	HZ	TITLE: SCHEMATIC	
		APP ENG.	GEORGE Q.	HIGH EFFICIENCY CUK CONVERTER	
				SIZE	IC NO.
				N/A	LT3757EDD
				DEMO CIRCUIT 1548A	
THIS CIRCUIT IS PROPRIETARY TO LINEAR TECHNOLOGY AND SUPPLIED FOR USE WITH LINEAR TECHNOLOGY PARTS.		SCALE = NONE		DATE:	Friday, August 13, 2010
				SHEET	1 OF 1
				REV.	1