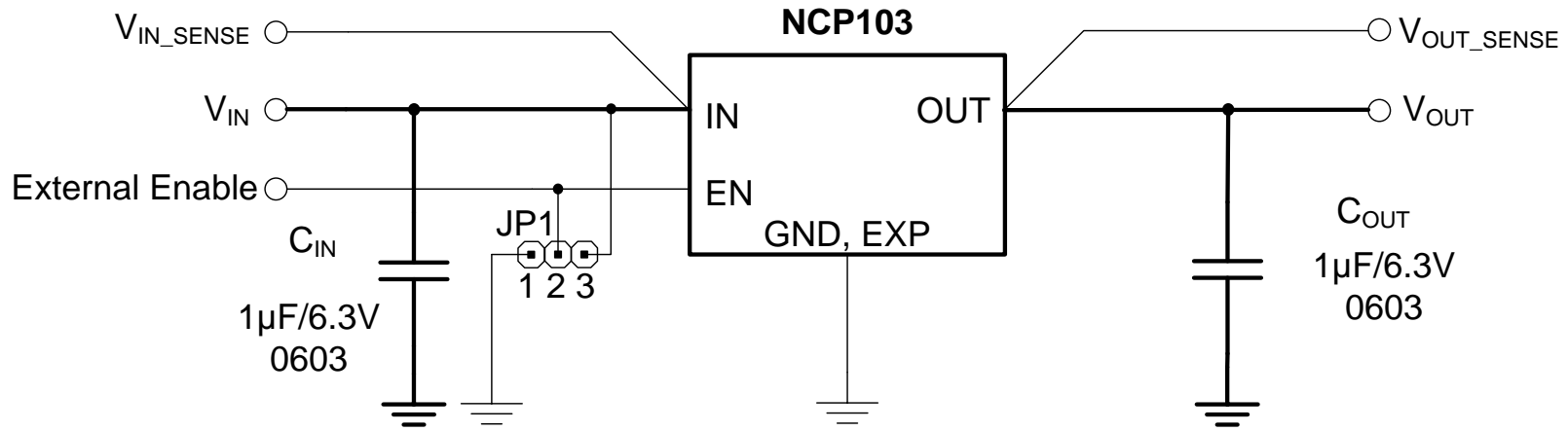




NCP103MXTCEVB Evaluation Board Schematic



JP1 positions:

- 2-- -->EXTERNAL ENABLE pin is select
- 2 - 1 ->LDO is **DISABLED**
- 2 - 3-> LDO is **ENABLED**

The NCP103 is 150mA high performance LDO with low quiescent current and high PSRR. The NCP103 also offers excellent load/line transients.