



12 Watt Interchangeable Plug Series



Features

- Double Insulated
- Class B EMI
- Level VI Efficiency Compliant
- Limited Power Source (LPS)

Applications

- Wireless Communications
- Network Equipment
- Peripherals
- Gaming

Safety Approvals

- cUL/UL 60950-1
- cUL/UL 62368-1
- AS/NZ 60950-1
- IEC60950-1
- IEC62368-1
- CE

Mechanical Characteristics

- Length: 71.6mm (2.82in)
- Width: 50mm (1.97in)
- Height: 33.25mm (1.22in)
- Weight: 112g (3.95oz)

Output Specifications

Model	DC Output Voltage	Load		Ripple ⁽¹⁾ P-P (max.)
		Min.	Max.	
PSAC12R-050-R	5V	0A	2.4A	100mV
PSAC12R-060-R	5.9V	0A	2.0A	100mV
PSAC12R-075-R	7.5V	0A	1.6A	100mV
PSAC12R-090-R	9V	0A	1.33A	120mV
PSAC12R-120-R	12V	0A	1.0A	120mV
PSAC12R-150-R	15V	0A	0.8A	150mV
PSAC12R-240-R	24V	0A	0.5A	240mV
PSAC12R-480-R	48V	0A	0.25A	480mV

Notes:

1. Ripple measured by using a 12-inch twisted pair terminated with 10uF capacitor and 0.1uF ceramic in parallel with oscilloscope set to 20Mhz measured after a warm-up of 10minutes.

INPUT**Input Voltage Rating**

100 to 240VAC

AC Input Voltage Range

90 to 264VAC

AC Input Current

0.5A (RMS), 120VAC at maximum load
 0.25A (RMS), 230VAC at maximum load

AC Input Frequency

47 to 63Hz

In-rush Current

<30A for 120VAC at maximum load
 <60A for 230VAC at maximum load
 (cold start at ambient 25°C)

Leakage Current

0.25mA maximum

OUTPUT

Output Power

12W

Efficiency²

US DoE Level VI
 EU CoC Ver5 Tier1

No Load Power Consumption

≤75mW max @ 115V

Hold up time

10mS minimum at maximum load, 120VAC

ENVIRONMENTAL**Temperature**

Operation 0°C to +40°C
 Non-operation -40°C to +85°C
 Humidity 50 to 90%

EMI

Complies with FCC Class B

Complies with EN55032 Class B

Immunity

EN61000-4-2
 EN61000-4-3
 EN61000-4-4
 EN61000-4-5 Level 3
 EN61000-4-6
 EN61000-4-11

Isolation (HI-POT test)

Input to Output: 3000VAC for 1 minute, 10mA

Insulation Resistance

Input to Output: 500VDC 500M Ohm minimum

Over Current Protection

3A max. Short Circuit Auto-restart

Short Circuit Protection

Output can be shorted without damage

Over Voltage Protection

<7.5V

Dielectric Withstand (Hi-pot) Test

Primary to Secondary: 3000V AC for 1 min., 10mA

DC Cord

1500mm (18~24AWG)

DC Output Connector (Tuning Fork Type)

5.5mm x 2.1mm x 10mm Center Positive

Interchangeable AC Clips

(Sold Separately)

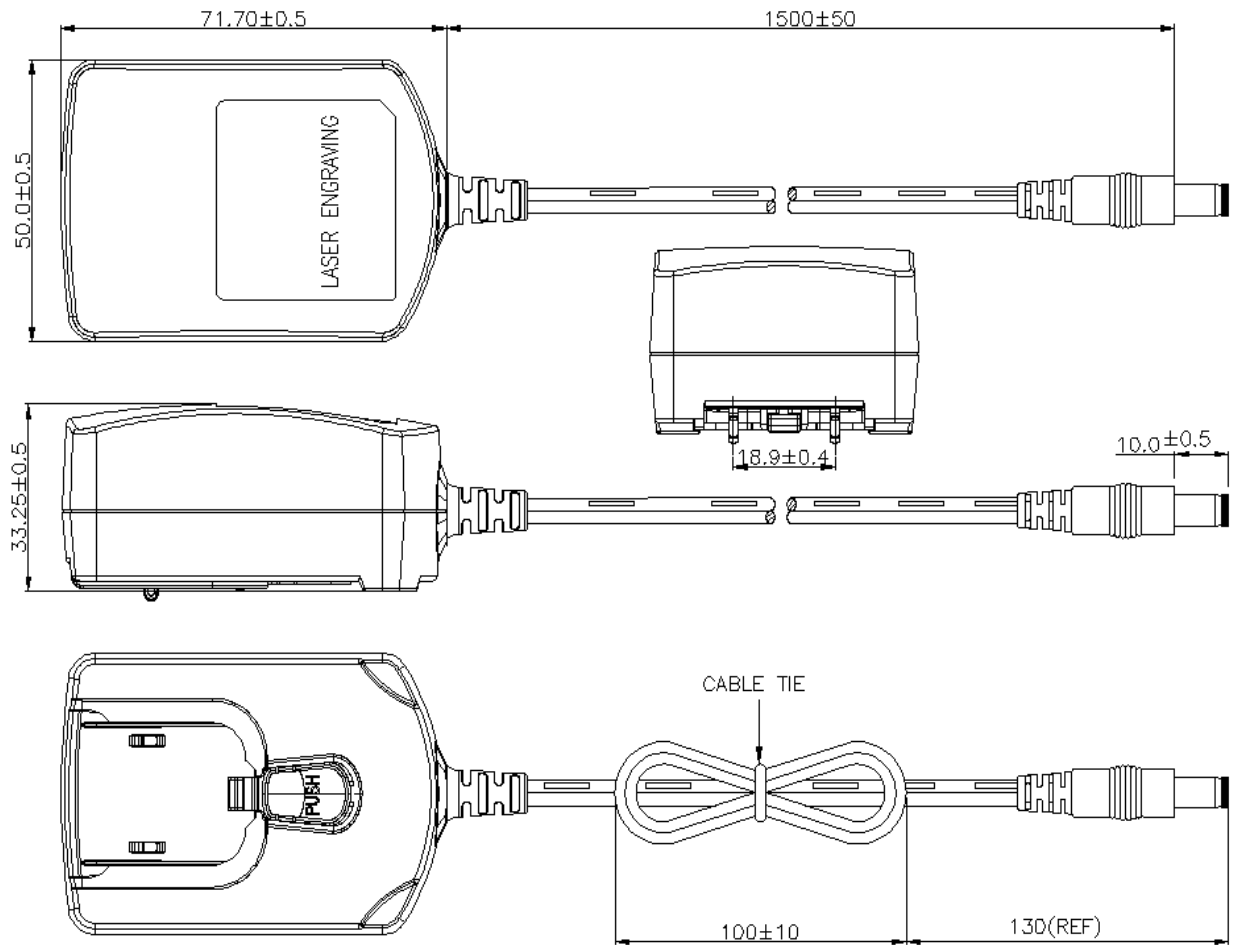
RPA – US
 RPB – Brazil
 RPC – China
 RPE – Europe
 RPH – Korea
 RPI – India
 RPK – UK
 RPN – Argentina
 RPS – Australia
 RPX – IEC320 C8

Notes:

1. The characteristics defined are at ambient temperature of 25°C unless otherwise specified
2. Efficiency is measured after 30 minutes burn-in

PSAC12R

Dimension Diagram Unit: mm



Supplier's Declaration of Conformity
47 CFR § 2.1077 Compliance Information

Phihong USA Corporation
47800 Fremont Boulevard
Fremont, CA 94538
Telephone: (510) 445-0100
www.phihong.com

NOTE: This model has/The models in this products series have been tested and found to comply with the limits for a Class B digital device, pursuant to part 15 of the FCC Rules. These limits are designed to provide reasonable protection against harmful interference in a residential installation. This equipment generates, uses and can radiate radio frequency energy and, if not installed and used in accordance with the instructions, may cause harmful interference to radio communications. However, there is no guarantee that interference will not occur in a particular installation. If this equipment does cause harmful interference to radio or television reception, which can be determined by turning the equipment off and on, the user is encouraged to try to correct the interference by one or more of the following measures:

- Reorient or relocate the receiving antenna.
- Increase the separation between the equipment and receiver.
- Connect the equipment into an outlet on a circuit different from that to which the receiver is connected.
- Consult the dealer or an experienced radio/TV technician for help.

Changes or modifications to equipment not expressly approved by PHIHONG could void the user's authority to operate the equipment.