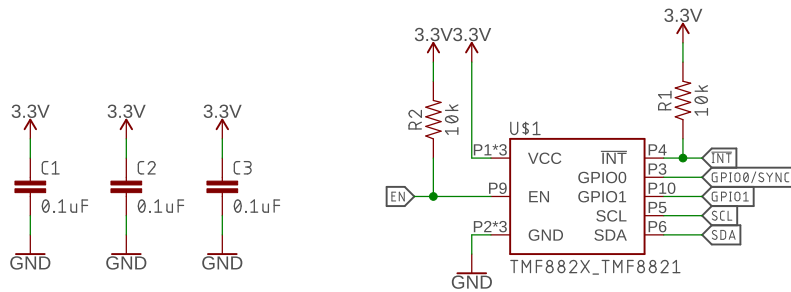


## Distance Time of Flight Sensor: TMF8821

VCC Range: 2.7V – 3.3V  
I/O VCC Range: 1.62V – 3.3V

Default Address: 0x41

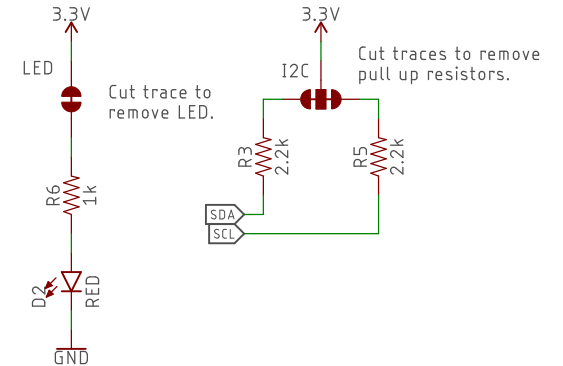


Product Identifier

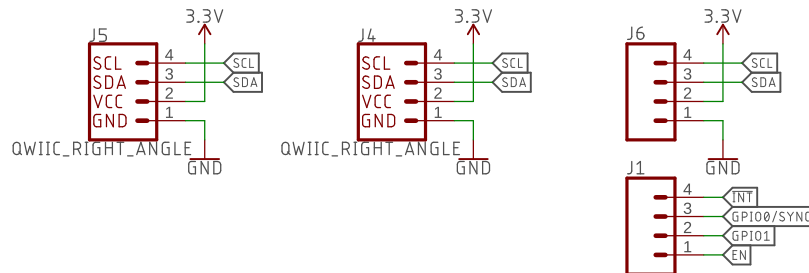
8820

8821

## Jumpers



## Qwiic Connectors and Header



Released under the Creative Commons  
Attribution Share-Alike 4.0 License  
<https://creativecommons.org/licenses/by-sa/4.0/>



TITLE: SparkFun\_dToF-TMF8821

Design by: Elias Santistevan

REV:  
v10

Date: 4/7/2022 11:57 AM

Sheet: 1/1