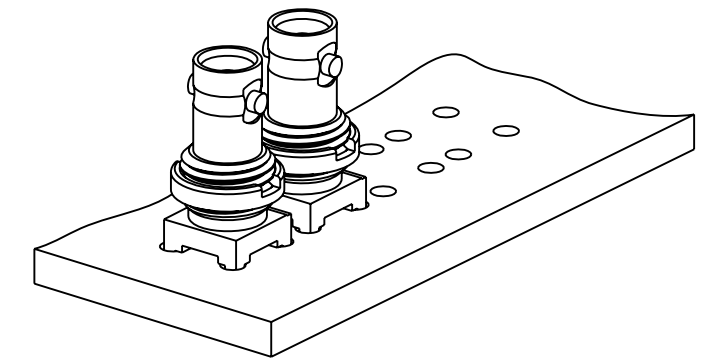
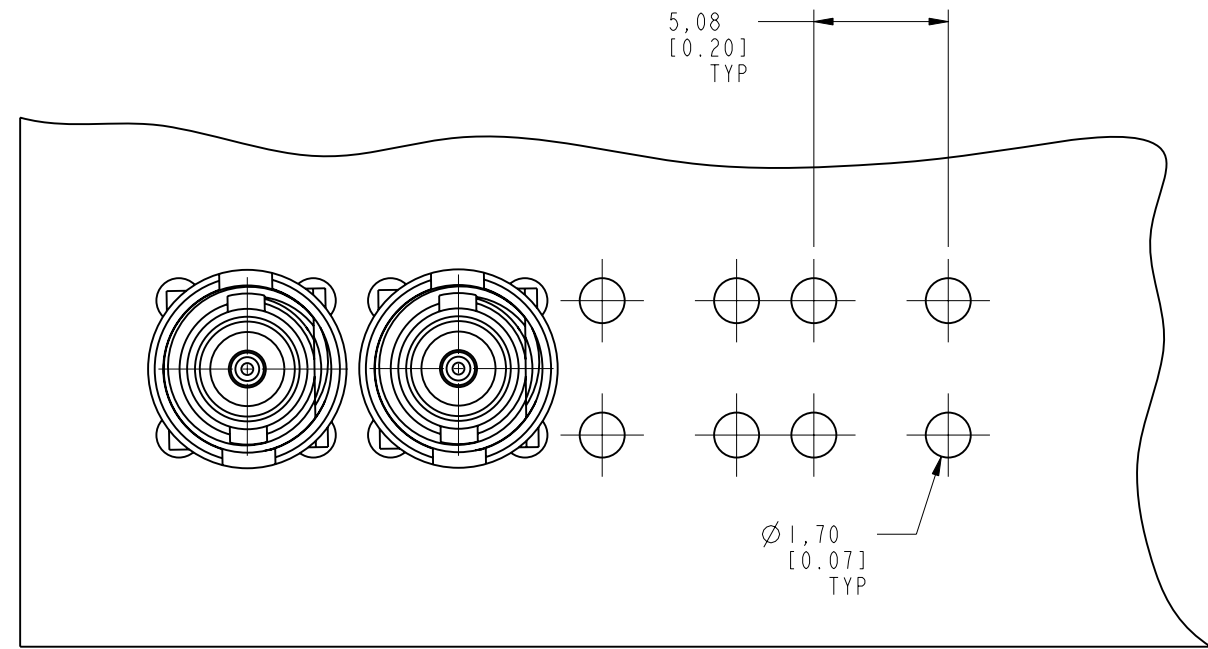




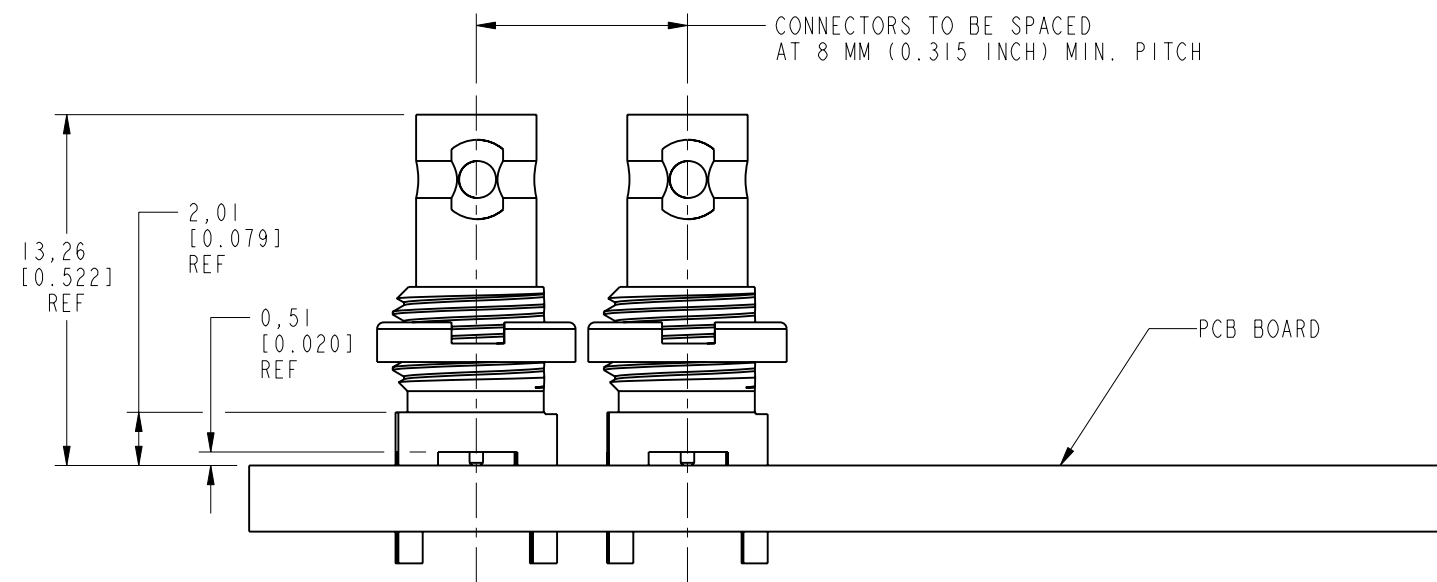
THIRD ANGLE PROJ.

REVISIONS				
REV	DESCRIPTION	DATE	ECN	APPR
A	RELEASE TO MFG.	30-Jun-18	08470	CJV



SCALE 2.000

# RECOMMENDED PCB MOUNTING HOLES



## CUSTOMER OUTLINE DRAWING

ALL OTHER SHEETS ARE FOR INTERNAL USE ONLY

<p>UNLESS OTHERWISE SPECIFIED, DIMENSIONS ARE IN METRIC AND TOLERANCES ARE:                  &lt;0.5mm ±0.05mm    0.5 - 6mm ±0.1mm    6 - 30mm ±0.2mm    30 - 120mm ±0.3mm    ANGLES ±1°</p> <p>NOTICE - These drawings, specifications, or other data (1) are, and remain the property of Amphenol corp. (2) must be returned upon request; and (3) are confidential and not to be disclosed to any person other than those to whom they are given by Amphenol Corp. the furnishing of these drawings, specifications, or other data by Amphenol Corp., or to any other person to anyone for any purpose is not to be regarded by implication or otherwise in any manner licensing, granting rights to permitting such holder or any other person to manufacture, use or sell any product, process or design, patented or otherwise, that may in any way be related to or disclosed by said drawings, specifications, or other data.</p>	<p>MATERIAL</p> <p>-</p>	<p>DRAWN</p> <p>W.ZENG</p>	<p>DATE</p> <p>30-Jun-18</p>	<p>TITLE</p> <p>HB-BNC STR BHD JACK RECEPTACLE THRU HOLE PCB, SMT CONTACT</p>	<p>Amphenol RF</p> <p>www.amphenolrf.com</p>	
	<p>REFERENCE</p> <p>EAR# 8093</p> <p>REF: 34-1028-12G</p>	<p>ENGINEER</p> <p>SUNDE</p>	<p>DATE</p> <p>30-Jun-18</p>	<p>SCALE: 3.5:1.0</p>		<p>DRAWING NO. 34-1126-12G</p>
	<p>CONFIGURATION LEVEL: In Work</p>	<p>APPROVED</p> <p>FIGO</p>	<p>DATE</p> <p>17-Jul-18</p>	<p>SHEET 3 OF 3</p>		<p>ITEM NO. 34-1126-12G</p>
	<p>FINISH</p>	<p>CAD FILE</p>	<p>DWG SIZE</p> <p>B</p>	<p>REV</p> <p>A</p>		<p>PART NO. 34-1126-12G</p>