

NOTES:

1) MATERIAL:

HOUSING: NYLON(PA), GLASS FILLED, UL94V-0, COLOR: SEE SHEETS 5 AND 6
 INSULATOR: NYLON(PA), GLASS FILLED, UL94V-0, COLOR: SEE SHEETS 5 AND 6
 TERMINALS: PHOSPHOR BRONZE, 0.30 mm THICK
 SHIELD: BRASS, 0.18 mm THICK

2) FINISH:

TERMINALS:

A = SELECT GOLD IN CONTACT AREA: 1.27 MICROMETERS MIN.,
 *SELECT TIN IN PC TAIL AREA: 2.54 MICROMETERS MIN.,
 WITH OVERALL NICKEL UNDERPLATE: 1.27 MICROMETERS MIN.
 B = SELECT GOLD IN CONTACT AREA: 0.76 MICROMETERS MIN.,
 *SELECT TIN IN PC TAIL AREA: 2.54 MICROMETERS MIN.,
 WITH OVERALL NICKEL UNDERPLATE: 1.27 MICROMETERS MIN.
 *THE PRIMARY SHIPPING CARTON WILL BE LABELED "COMPLIANT TO RoHS
 DIRECTIVE 2002/95/EC AND ELV ANNEX II OF DIRECTIVE 2000/53/EC".
 CARTONS WITHOUT THIS LABEL MAY CONTAIN PRODUCT WITH TIN-LEAD
 IN THE PC TAILS AND/OR SHIELD.

SHIELD:

2.54 MICROMETERS NICKEL OVER 1.27 MICROMETERS COPPER
 UNDERPLATE PCB GROUND TABS DIPPED IN TIN

3) PRODUCT SPECIFICATION AND PROCESSING PARAMETERS: PS-43202.

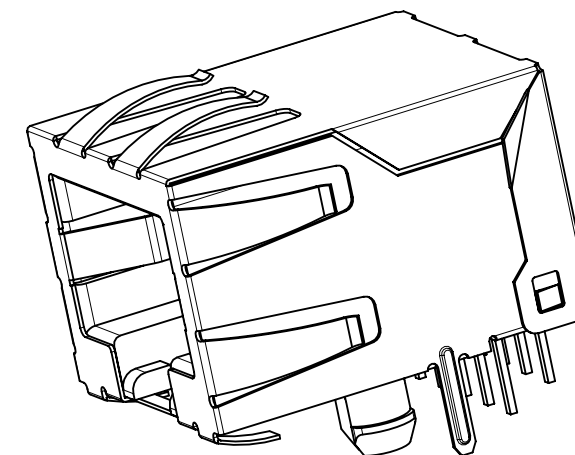
4) PACKAGING SPECIFICATION:

UNSHIELDED CONNECTOR ASSEMBLIES PACKAGED IN THERMOFORMED TRAYS
 PER MOLEX PACKAGING SPECIFICATION PK-43202-003.
 UNSHIELDED CONNECTOR ASSEMBLIES PACKAGED IN TUBES
 PER MOLEX PACKAGING SPECIFICATION PK-43202-005.
 SHIELDED CONNECTOR ASSEMBLIES PACKAGED IN THERMOFORMED TRAYS
 PER MOLEX PACKAGING SPECIFICATION PK-43202-004.

5) SEE SHEETS 7 - 9 FOR P.C. BOARD LAYOUTS.

6) CONFORMS TO FCC REGULATION PART 68.5 FOR MODULAR JACKS.

7) THIS PART CONFORMS TO CLASS B REQUIREMENTS OF COSMETIC
 SPECIFICATION PS-45499-002.



SHIELDED MODULAR JACK
 SHOWN WITH PANEL GROUND
 OPTION "D" AND FRONT
 PCB GROUND TABS

DRAWING LEGEND

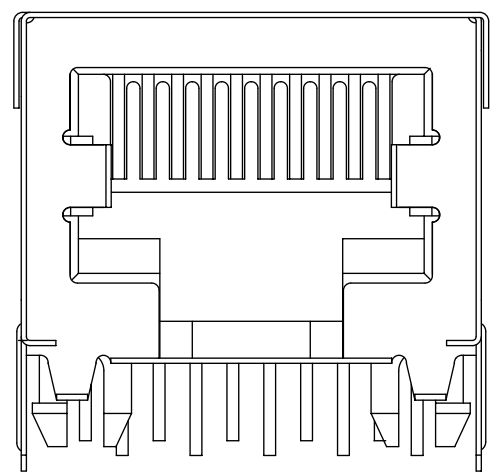
SHEET 1- NOTES, DRAWING LEGEND
 SHEET 2- SHIELDED MODULAR JACK W/ BOTTOM GROUND TABS
 SHEET 3- SHIELDED MODULAR JACK W/O BOTTOM GROUND TABS
 SHEET 4- UNSHIELDED MODULAR JACK
 SHEET 5- PART NUMBER CHARTS
 SHEET 6- PART NUMBER CHARTS
 SHEET 7- FOOTPRINT LAYOUT 4 POSITION HOUSING
 SHEET 8- FOOTPRINT LAYOUT 6 POSITION HOUSING
 SHEET 9- FOOTPRINT LAYOUT 8 POSITION HOUSING

THIS DRAWING CONTAINS INFORMATION THAT IS PROPRIETARY TO MOLEX ELECTRONIC TECHNOLOGIES, LLC AND SHOULD NOT BE USED WITHOUT WRITTEN PERMISSION										
FUNCTIONAL SYMBOLS	DIMENSION UNITS	SCALE	CURRENT REV DESC: MIGRATION TO NX							
$\nabla = 0$	mm	3:1	EC NO: 704381 DRWN: FAYEW 2022/04/18 CHKD: KLANG 2022/05/16 APPR: KLANG 2022/05/16 INITIAL REVISION: DRWN: RFC_PLMIMP 2018/11/02 APPR: REDGLEY 2000/10/17							
$\nabla = 0$	GENERAL TOLERANCES (UNLESS SPECIFIED)									
$\nabla = 0$	ANGULAR TOL $\pm 0.5^\circ$									
DIVISIONAL SYMBOLS	4 PLACES \pm	3 PLACES \pm	PRODUCT CUSTOMER DRAWING				DOCUMENT NUMBER	DOC TYPE	DOC PART	REVISION
	2 PLACES ± 0.25	1 PLACE ± 0.36	SDA-43202				PSD	001	L9	
	0 PLACES \pm		MATERIAL NUMBER		CUSTOMER		SHEET NUMBER			
	DRAFT WHERE APPLICABLE MUST REMAIN WITHIN DIMENSIONS		THIRD ANGLE PROJECTION	DRAWING	SERIES	GENERAL MARKET		1 OF 9		
				B-SIZE	43202					

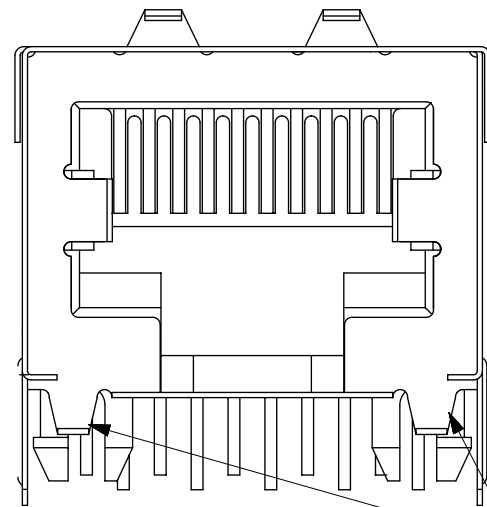
SHIELD MODULAR JACK W/BOTTOM GROUND TABS

SIZE 8 LOADED 10 VERSION SHOWN

SIDE/TOP GROUND TAB OPTIONS FOR SHIELDS



OPTION "A"
NO TOP OR SIDE TABS

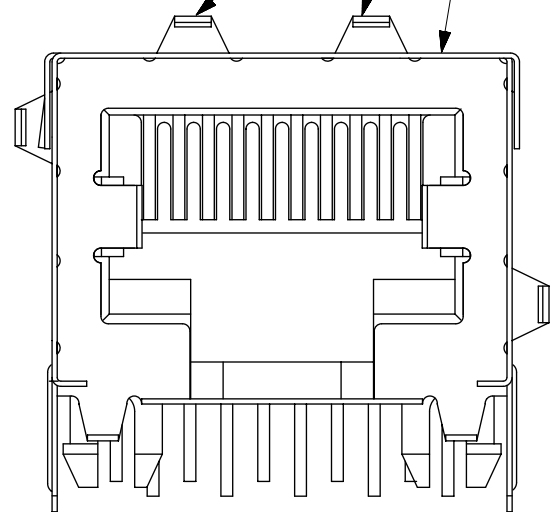


OPTION "B"
TOP TABS
BOTTOM GROUND TABS

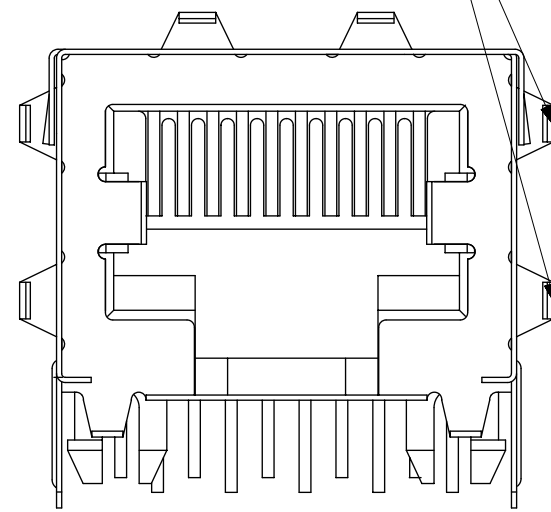
OPTIONAL TOP GROUND TABS

SHIELDED MODULAR JACK ASSEMBLY SEE SHEET 5 FOR MATERIAL NO.

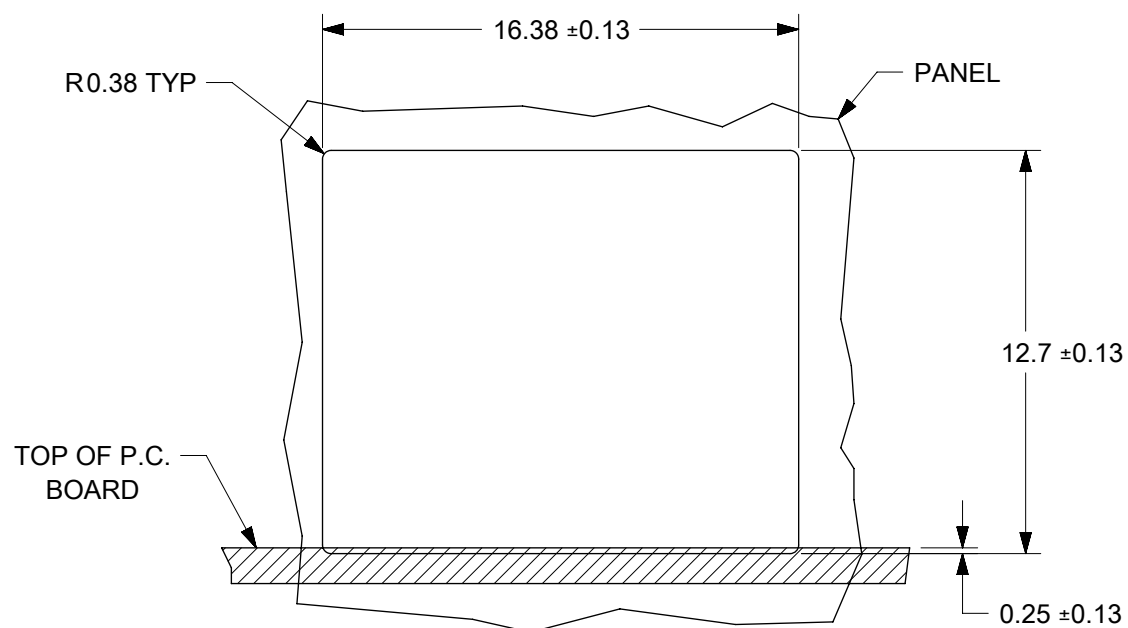
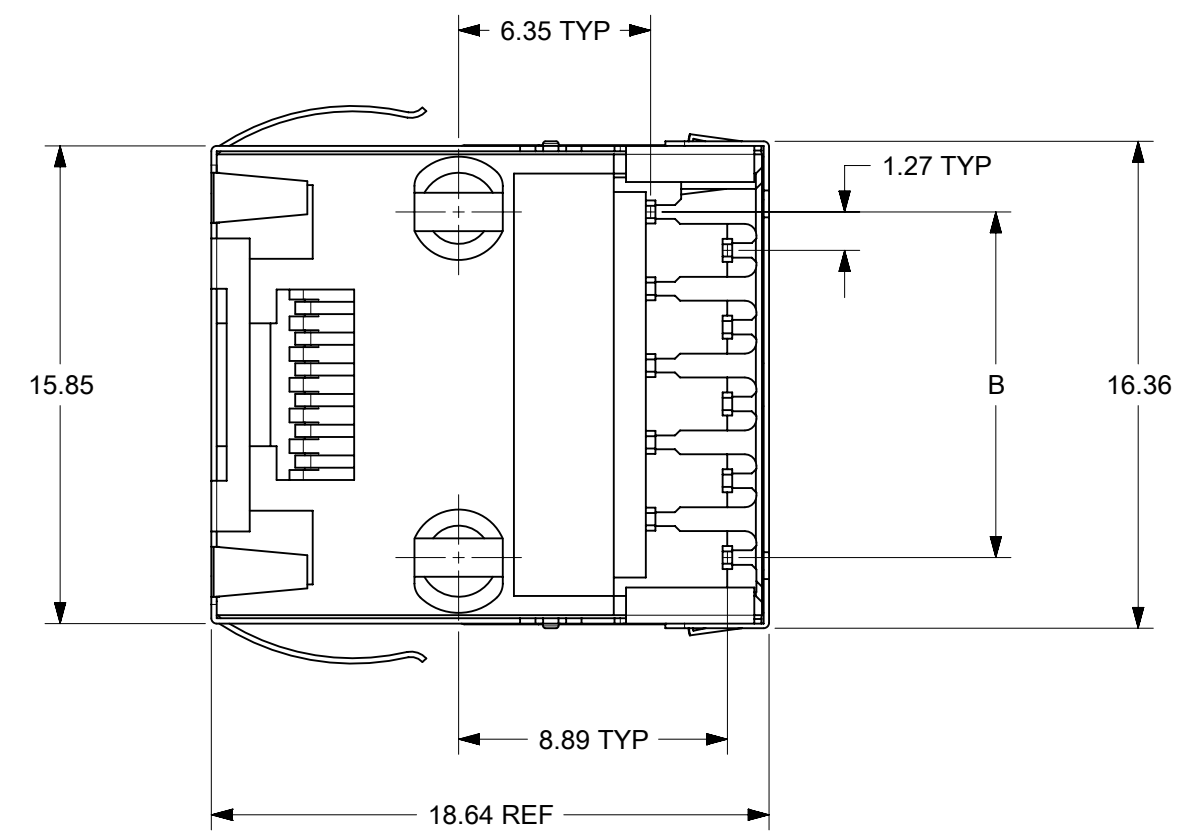
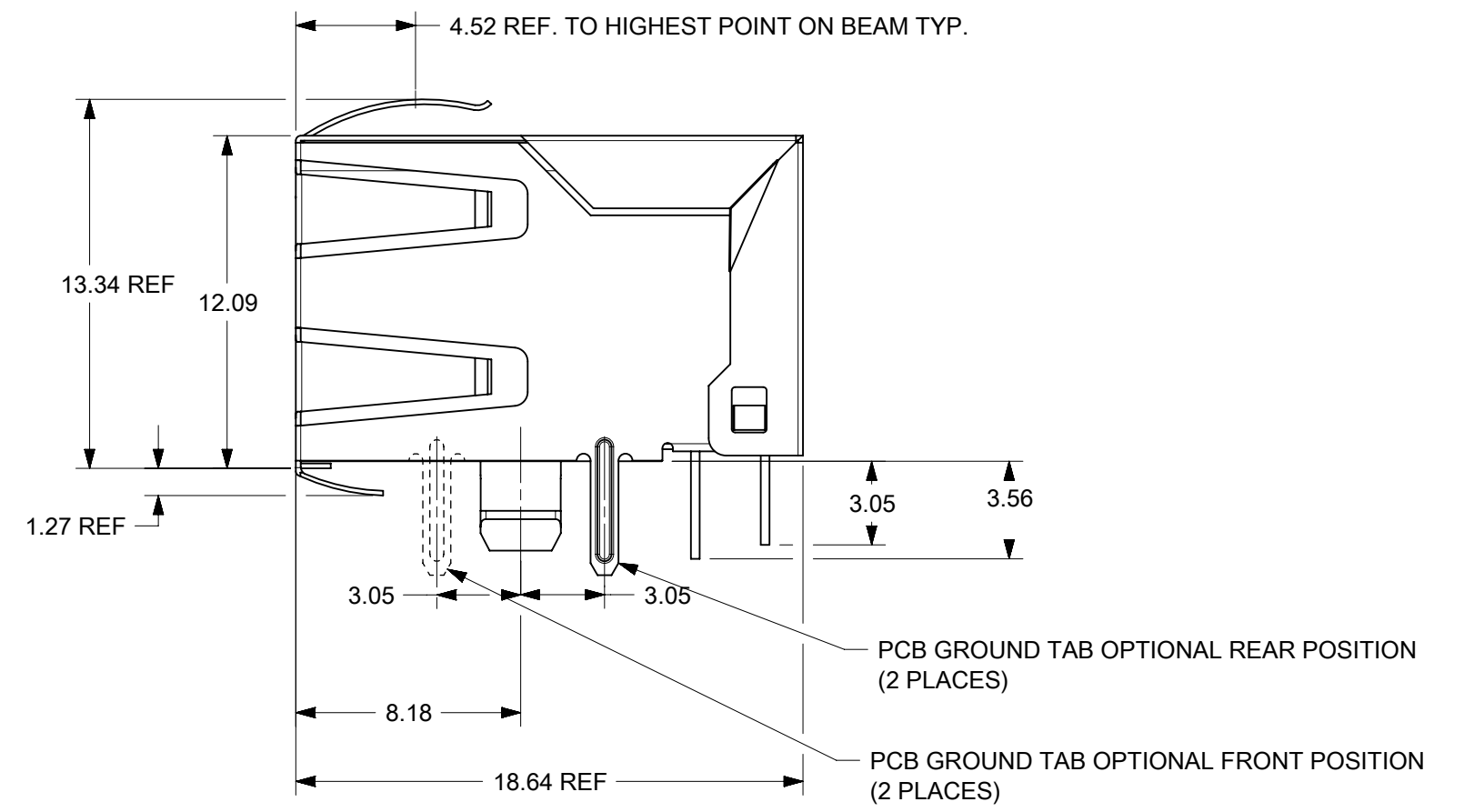
OPTIONAL SIDE GROUND TABS (2 PLACES)



OPTION "C"
TOP AND STAGGERED SIDE TABS



OPTION "D"
TOP AND SIDE TABS



PANEL CUT-OUT
(SHIELDED W/BOTTOM GROUND TABS)

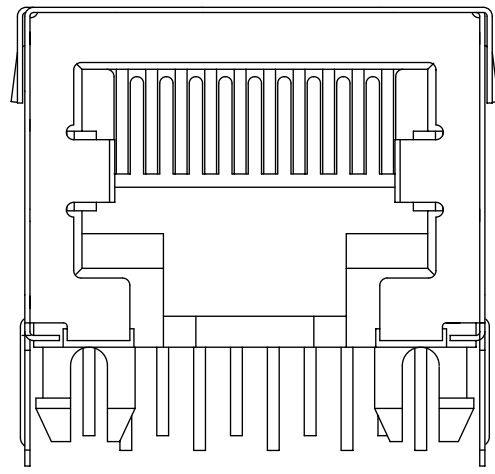
HOUSING SIZE	CIRCUIT SIZE	B
8	10	11.43±0.13
8	8	8.89±0.13

FUNCTIONAL SYMBOLS $\nabla_A = 0$ $\nabla_C = 0$ $\nabla_P = 0$	THIS DRAWING CONTAINS INFORMATION THAT IS PROPRIETARY TO MOLEX ELECTRONIC TECHNOLOGIES, LLC AND SHOULD NOT BE USED WITHOUT WRITTEN PERMISSION		CURRENT REV DESC: MIGRATION TO NX		
	DIMENSION UNITS	SCALE			
	mm	4:1			
GENERAL TOLERANCES (UNLESS SPECIFIED)		EC NO: 704381 DRWN: FAYEW CHK'D: KLANG APPR: KLANG 2022/04/18 2022/05/16 2022/05/16			
ANGULAR TOL ± 0.5°		PRODUCT CUSTOMER DRAWING DOCUMENT NUMBER: SDA-43202 DOC TYPE: PSD DOC PART: 001 REVISION: L9			
4 PLACES ±		INITIAL REVISION:			
3 PLACES ±		DRWN: RFC_PLMIMP 2018/11/02			
2 PLACES ± 0.25		APPR: REDGLEY 2000/10/17			
1 PLACE ± 0.36		MATERIAL NUMBER: GENERAL MARKET			
0 PLACES ±		CUSTOMER: GENERAL MARKET			
DRAFT WHERE APPLICABLE MUST REMAIN WITHIN DIMENSIONS		THIRD ANGLE PROJECTION	DRAWING	SHEET NUMBER	
			C-SIZE	43202	

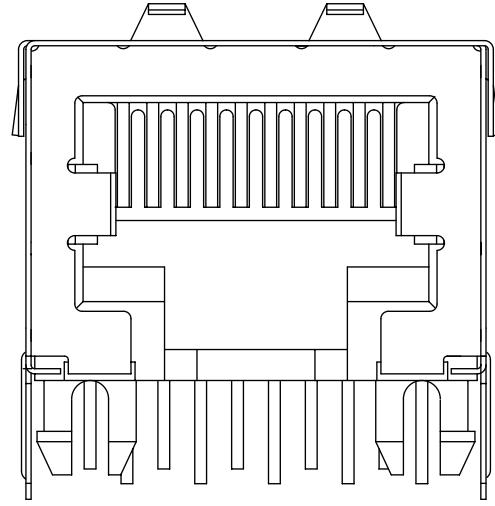
SHIELDED MODULAR JACK W/O BOTTOM GROUND TABS

SIZE 8, LOADED 10 VERSION SHOWN

SIDE/TOP GROUND TAB OPTIONS FOR SHIELDS



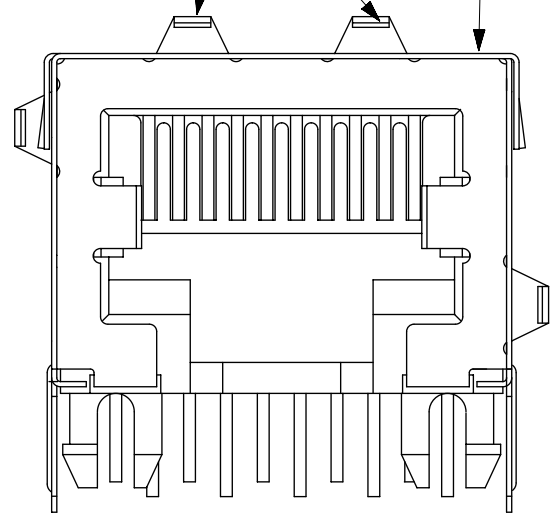
OPTION "E"
NO TOP OR SIDE TABS



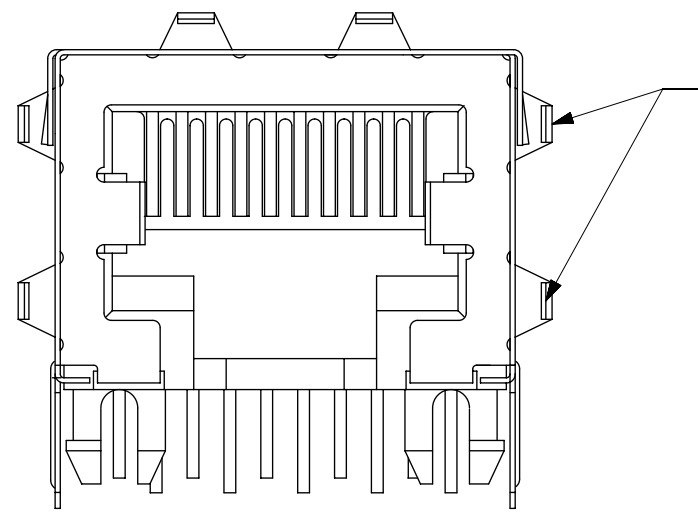
OPTION "F"
TOP TABS

OPTIONAL GROUND TABS

SHIELDED MODULAR JACK ASSEMBLY
SEE SHEET 6 FOR MATERIAL NO.

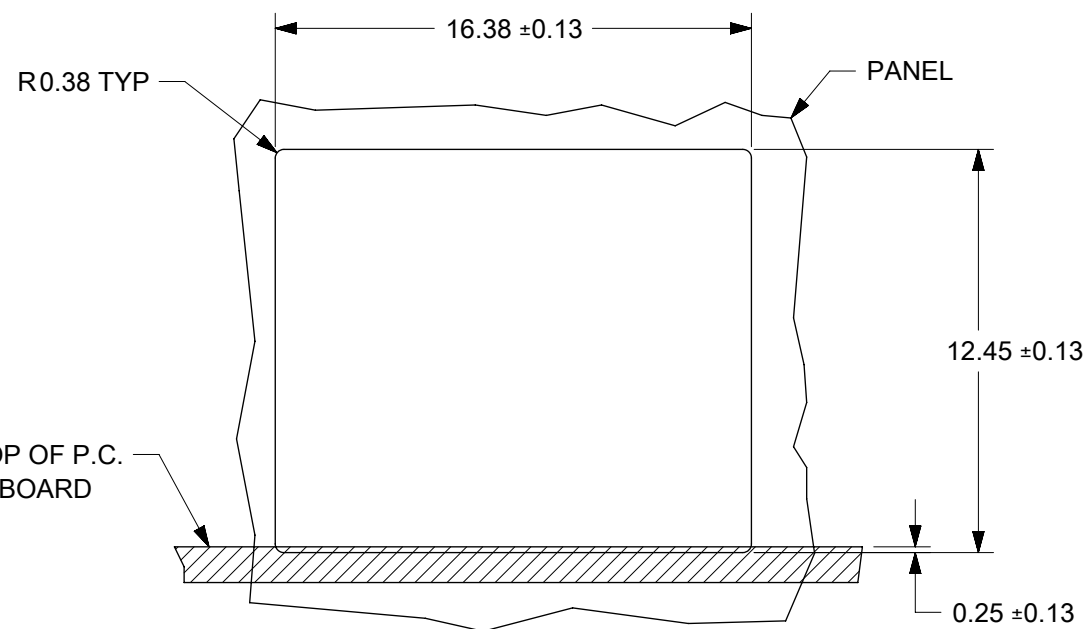
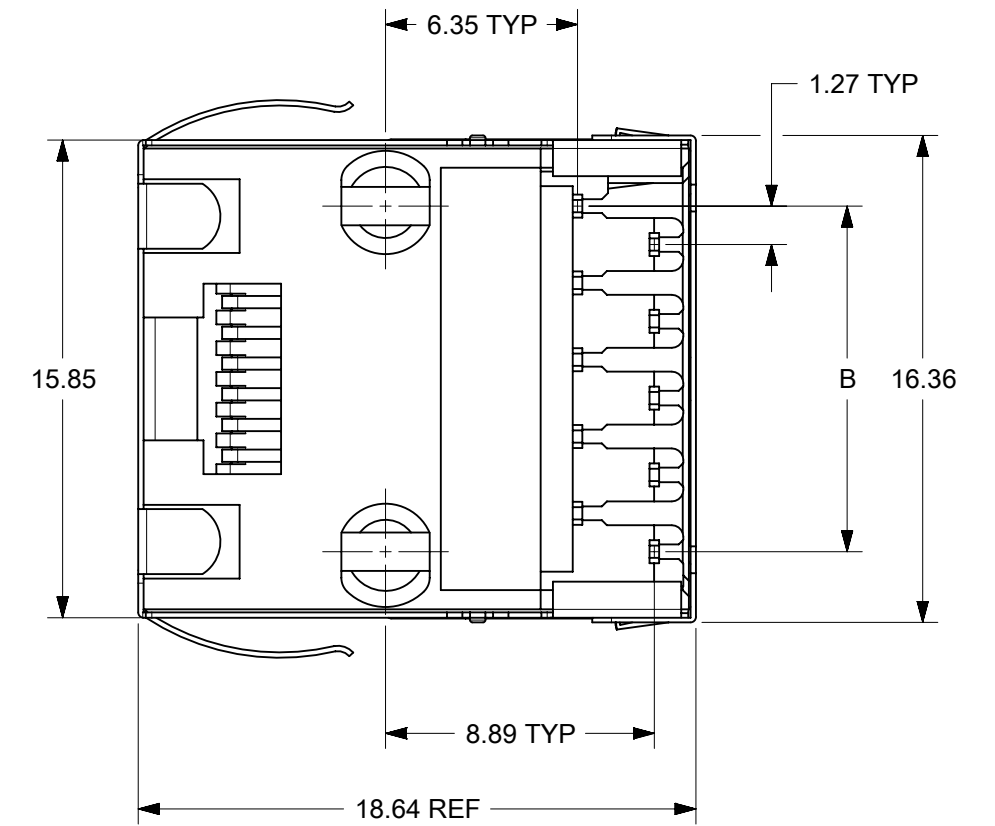
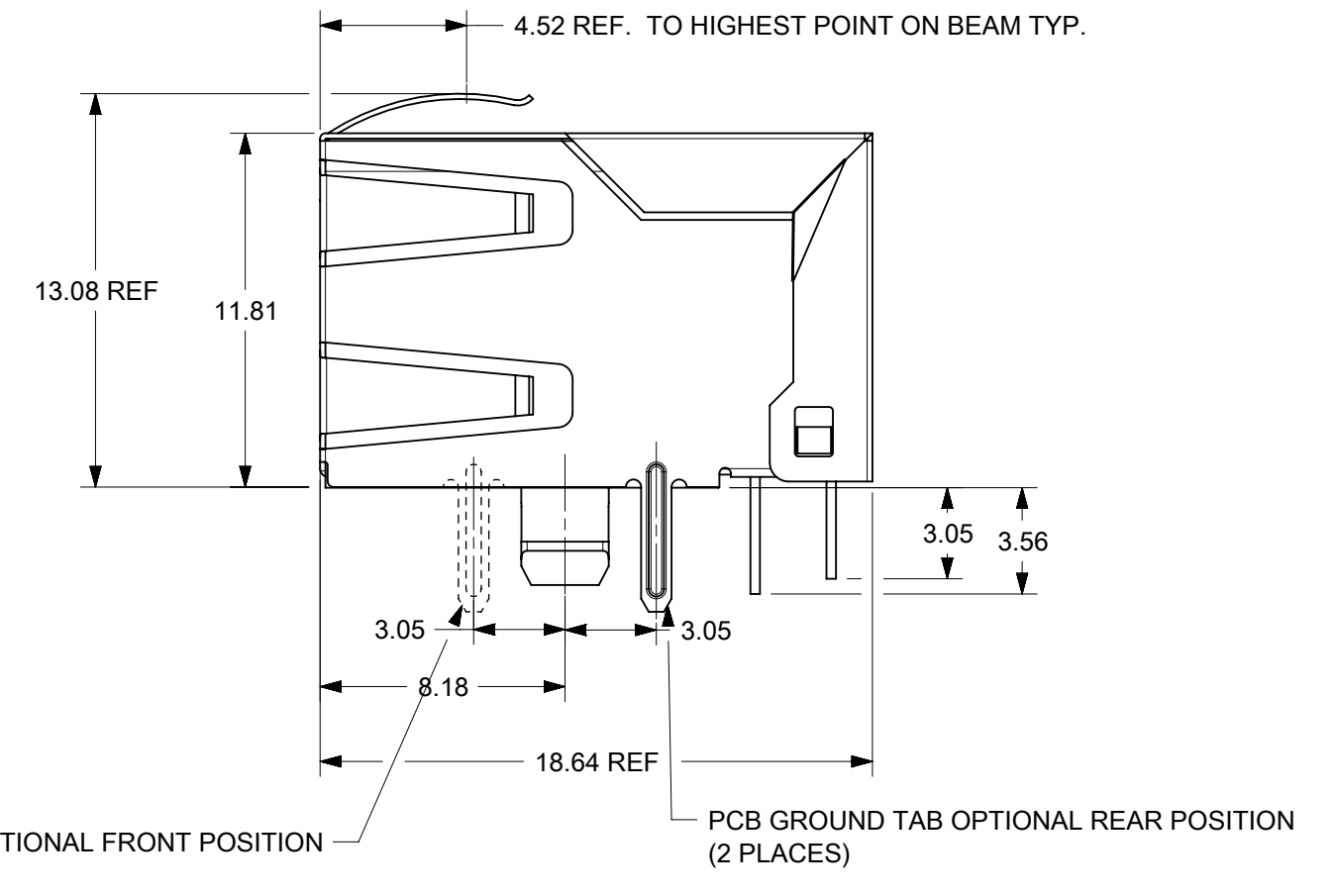


OPTION "G"
TOP AND STAGGERED SIDE TABS



OPTION "H"
TOP AND SIDE TABS

OPTIONAL SIDE
GROUND TABS
(2 PLACES)



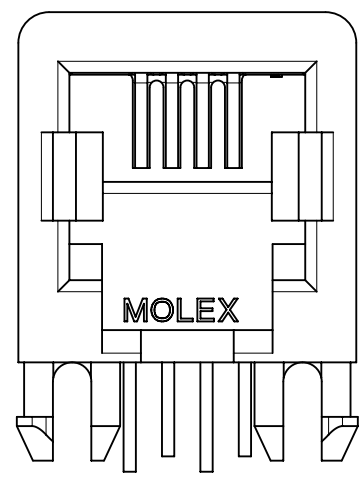
PANEL CUT-OUT
(SHIELDED W/O BOTTOM GROUND TABS)

HOUSING SIZE	CIRCUIT SIZE	DIM. B
8	10	11.43±0.13
8	8	8.89±0.13

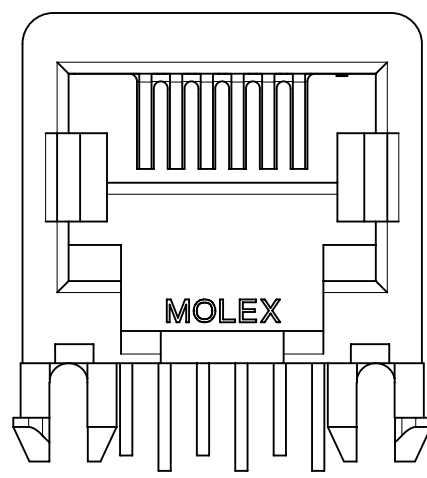
FUNCTIONAL SYMBOLS		THIS DRAWING CONTAINS INFORMATION THAT IS PROPRIETARY TO MOLEX ELECTRONIC TECHNOLOGIES, LLC AND SHOULD NOT BE USED WITHOUT WRITTEN PERMISSION		CURRENT REV DESC: MIGRATION TO NX			
DIMENSION UNITS		SCALE		EC NO: 704381			
mm		4:1		DRWN: FAYEW		2022/04/18	
GENERAL TOLERANCES (UNLESS SPECIFIED)		ANGULAR TOL ± 0.5°		CHK'D: KLANG		2022/05/16	
4 PLACES ±		3 PLACES ±		APPR: KLANG		2022/05/16	
2 PLACES ± 0.25		1 PLACE ± 0.36		INITIAL REVISION:		DOCUMENT NUMBER	
0 PLACES ±		THIRD ANGLE PROJECTION		DRWN: RFC_PLMIMP		SDA-43202	
DRAFT WHERE APPLICABLE MUST REMAIN WITHIN DIMENSIONS		DRAWING		SERIES		DOC TYPE DOC PART REVISION	
C-SIZE		43202		MATERIAL NUMBER		PSD 001 L9	
GENERAL MARKET		3 OF 9		CUSTOMER		SHEET NUMBER	

UNSHIELDED MODULAR JACKS

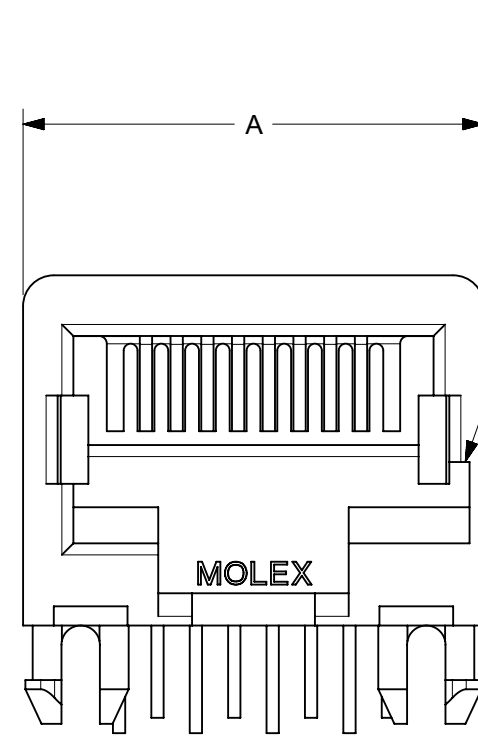
SIZE 8, LOADED 10 SHOWN



SIZE 4
LOADED 4 SHOWN

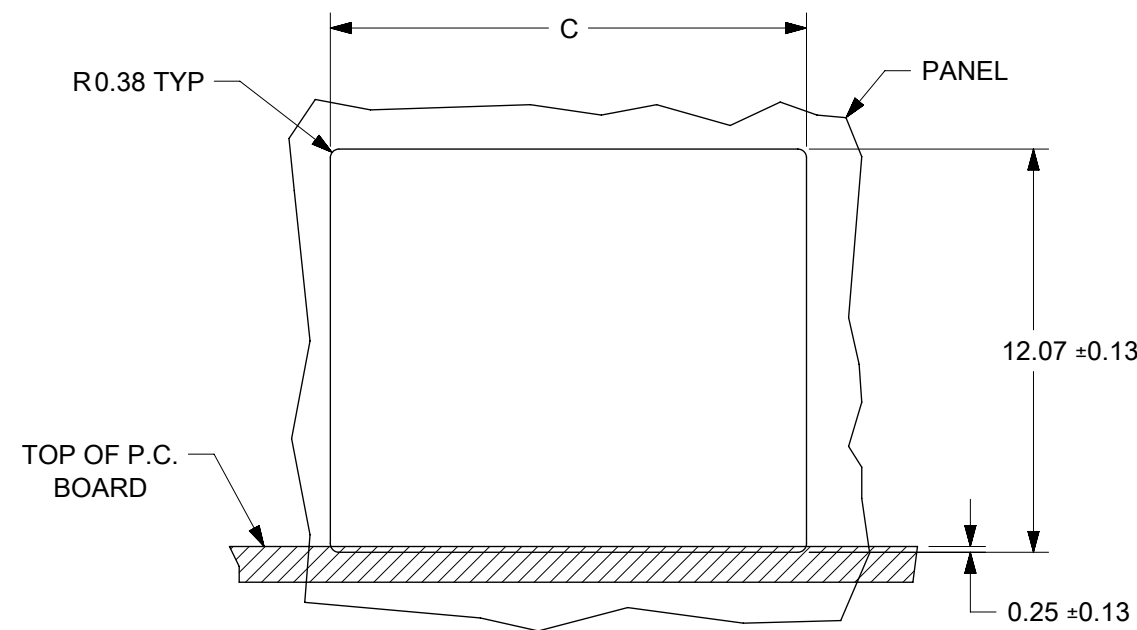
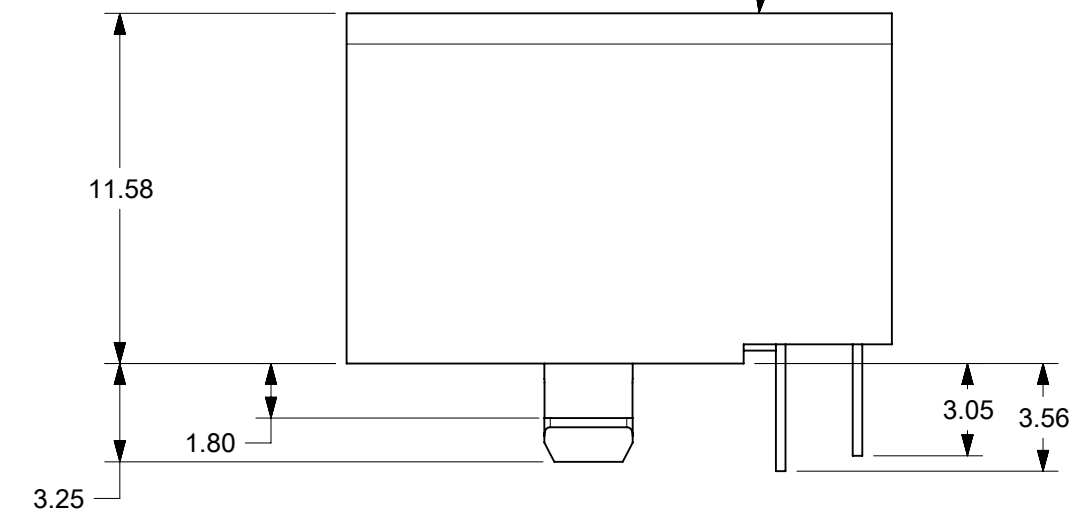


SIZE 6
LOADED 6 SHOWN

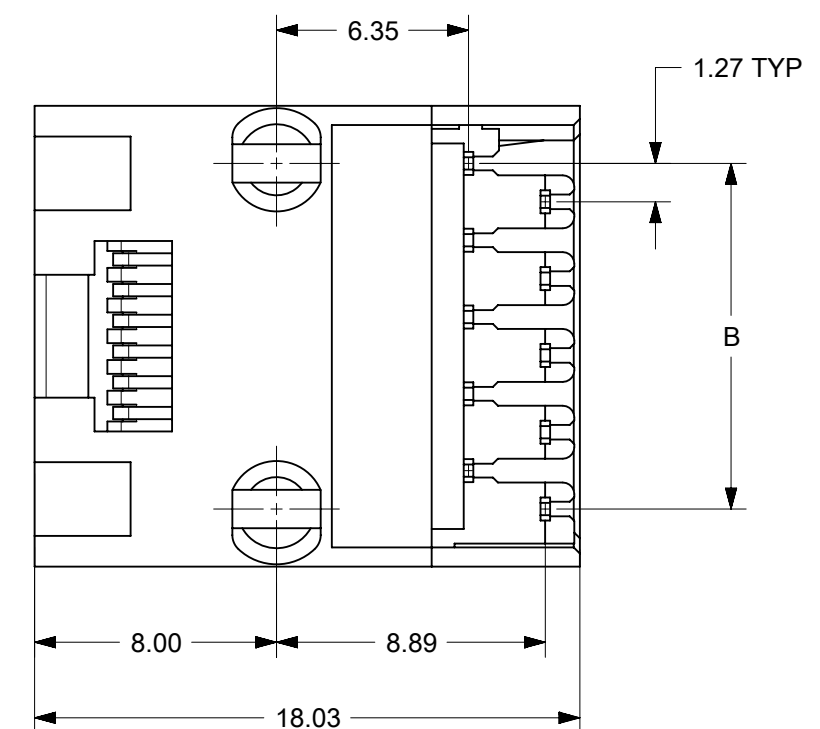


OPTIONAL KEYING SLOT
(8 POSITION, UNSHIELDED HOUSING ONLY)

MODULAR JACK ASSEMBLY
SEE SHEET 6 FOR MATERIAL NO.



PANEL CUT-OUT (UNSHIELDED)



HOUSING SIZE	LOADED CIRCUIT	A	B	C
4	4	11.18	3.81±0.13	11.68±0.13
4	2	11.18	1.27±0.13	11.68±0.13
6	6	13.21	6.35±0.13	13.72±0.13
6	4	13.21	3.81±0.13	13.72±0.13
6	2	13.21	1.27±0.13	13.72±0.13
8	10	15.24	11.43±0.13	15.75±0.13
8	8	15.24	8.89±0.13	15.75±0.13
8	6	15.24	6.35±0.13	15.75±0.13
8	4	15.24	3.81±0.13	15.75±0.13
8	2	15.24	1.27±0.13	15.75±0.13

FUNCTIONAL SYMBOLS	THIS DRAWING CONTAINS INFORMATION THAT IS PROPRIETARY TO MOLEX ELECTRONIC TECHNOLOGIES, LLC AND SHOULD NOT BE USED WITHOUT WRITTEN PERMISSION		
	DIMENSION UNITS	SCALE	CURRENT REV DESC: MIGRATION TO NX
$\frac{F}{A} = 0$	mm	4:1	EC NO: 704381 DRWN: FAYEW 2022/04/18 CHK'D: KLANG 2022/05/16 APPR: KLANG 2022/05/16
$\frac{F}{C} = 0$	GENERAL TOLERANCES (UNLESS SPECIFIED)		
$\frac{F}{P} = 0$	ANGULAR TOL ± 0.5°		INITIAL REVISION: DRWN: RFC_PLMIMP 2018/11/02 APPR: REDGLE 2000/10/17
DIVISIONAL SYMBOLS	4 PLACES ±	3 PLACES ±	
	2 PLACES ± 0.25	1 PLACE ± 0.36	DOCUMENT NUMBER SDA-43202
	0 PLACES ±		DOC TYPE DOC PART REVISION PSD 001 L9
DRAFT WHERE APPLICABLE MUST REMAIN WITHIN DIMENSIONS	THIRD ANGLE PROJECTION	DRAWING SERIES	MATERIAL NUMBER CUSTOMER SHEET NUMBER
		C-SIZE 43202	GENERAL MARKET 4 OF 9

H
G
F
E
D
C
B
A

SHIELDED MODULAR JACKS W/BOTTOM GROUND TABS (SHEET 2)								
NOT TOOLED "X"	ASSEMBLY MATERIAL NUMBER.	CONNECTOR SIZE	NOMBER OF CIRCUITS	SIDE/TOP PANEL GROUND TAB OPTION	PCB GROUND TAB POSITION	TERMINAL PLATING OPTION	PACKAGING OPTION	HOUSING COLOR
X	43202-8900	8	10	A	FRONT POSITION	A	TRAY	BLACK
X	43202-8901	8	10	B	FRONT POSITION	A	TRAY	
X	43202-8902	8	10	C	FRONT POSITION	A	TRAY	
X	43202-8903	8	10	D	FRONT POSITION	A	TRAY	
X	43202-8908	8	10	A	REAR POSITION	A	TRAY	
X	43202-8909	8	10	B	REAR POSITION	A	TRAY	
X	43202-8910	8	10	C	REAR POSITION	A	TRAY	
	43202-8911	8	10	D	REAR POSITION	A	TRAY	
	43202-8916	8	8	A	FRONT POSITION	A	TRAY	
	43202-8917	8	8	B	FRONT POSITION	A	TRAY	
X	43202-8918	8	8	C	FRONT POSITION	A	TRAY	
	43202-8919	8	8	D	FRONT POSITION	A	TRAY	
	43202-8924	8	8	A	REAR POSITION	A	TRAY	
X	43202-8925	8	8	B	REAR POSITION	A	TRAY	
X	43202-8926	8	8	C	REAR POSITION	A	TRAY	
	43202-8927	8	8	D	REAR POSITION	A	TRAY	

FUNCTIONAL SYMBOLS FA = 0 FC = 0 FP = 0 DIVISIONAL SYMBOLS	THIS DRAWING CONTAINS INFORMATION THAT IS PROPRIETARY TO MOLEX ELECTRONIC TECHNOLOGIES, LLC AND SHOULD NOT BE USED WITHOUT WRITTEN PERMISSION			 ULTRA LOW PROFILE RIGHT ANGLE MODULAR JACK ASSEMBLY			
	DIMENSION UNITS: mm SCALE: 1:1	CURRENT REV DESC: MIGRATION TO NX					EC NO: 704381 DRWN: FAYEW CHK'D: KLANG APPR: KLANG
	GENERAL TOLERANCES (UNLESS SPECIFIED) ANGULAR TOL ± 0.5°			2022/04/18 2022/05/16 2022/05/16			
	4 PLACES ± 3 PLACES ± 2 PLACES ± 0.25 1 PLACE ± 0.36 0 PLACES ±			INITIAL REVISION: DRWN: RFC_PLMIMP APPR: REDGLE			
DRAFT WHERE APPLICABLE MUST REMAIN WITHIN DIMENSIONS			THIRD ANGLE PROJECTION 				
DOCUMENT NUMBER: SDA-43202			DOC TYPE: PSD DOC PART: 001 REVISION: L9				
MATERIAL NUMBER:			CUSTOMER: GENERAL MARKET				
SHEET NUMBER: 5 OF 9			C-SIZE 43202				

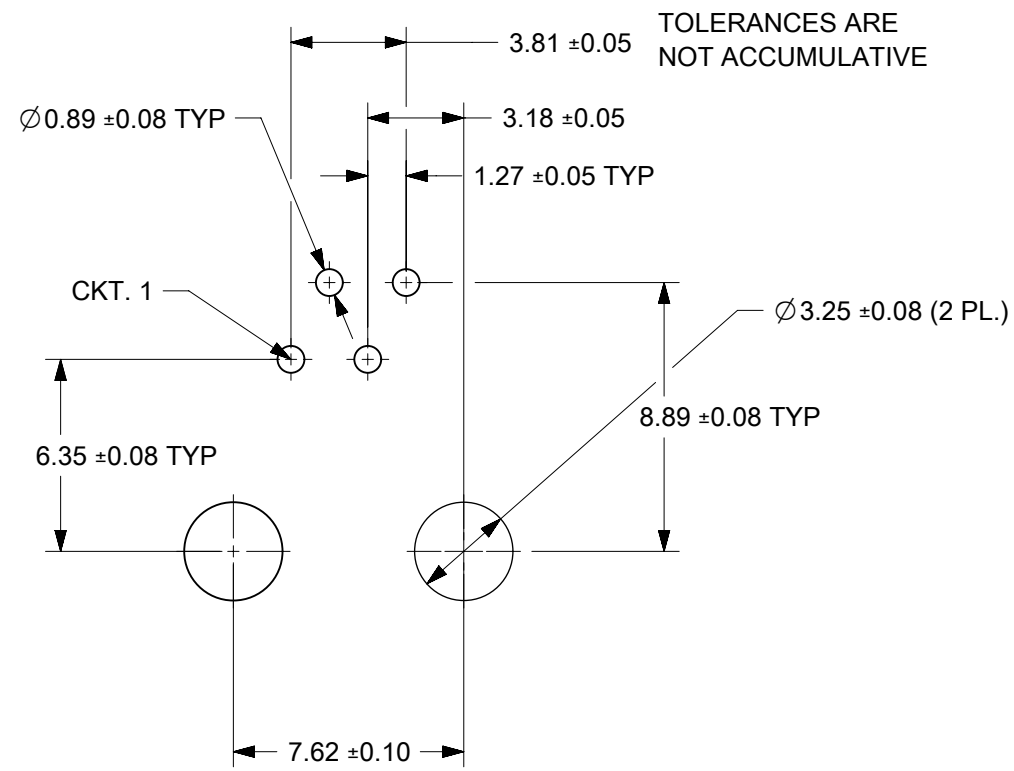
SHIELDED MODULAR JACKS W/O BOTTOM GROUND TABS (SHEET 3)

NOT TOOLED "X"	ASSEMBLY MATERIAL NUMBER	CONNECTOR SIZE	NUMBER OF CIRCUITS	SIDE/TOP PANEL GROUND TAB OPTION	PCB GROUND TAB OPTION	TERMINAL PLATING OPTION	PACKAGING OPTION	HOUSING COLOR
X	43202-8800	8	10	E	FRONT POSITION	A	TRAY	BLACK
X	43202-8801	8	10	F	FRONT POSITION	A	TRAY	
X	43202-8802	8	10	G	FRONT POSITION	A	TRAY	
X	43202-8803	8	10	H	FRONT POSITION	A	TRAY	
X	43202-8808	8	10	E	REAR POSITION	A	TRAY	
X	43202-8809	8	10	F	REAR POSITION	A	TRAY	
X	43202-8810	8	10	G	REAR POSITION	A	TRAY	
	43202-8811	8	10	H	REAR POSITION	A	TRAY	
	43202-8816	8	8	E	FRONT POSITION	A	TRAY	
	43202-8817	8	8	F	FRONT POSITION	A	TRAY	
	43202-8818	8	8	G	FRONT POSITION	A	TRAY	
	43202-8819	8	8	H	FRONT POSITION	A	TRAY	
	43202-8824	8	8	E	REAR POSITION	A	TRAY	
	43202-8825	8	8	F	REAR POSITION	A	TRAY	
X	43202-8826	8	8	G	REAR POSITION	A	TRAY	
	43202-8827	8	8	H	REAR POSITION	A	TRAY	

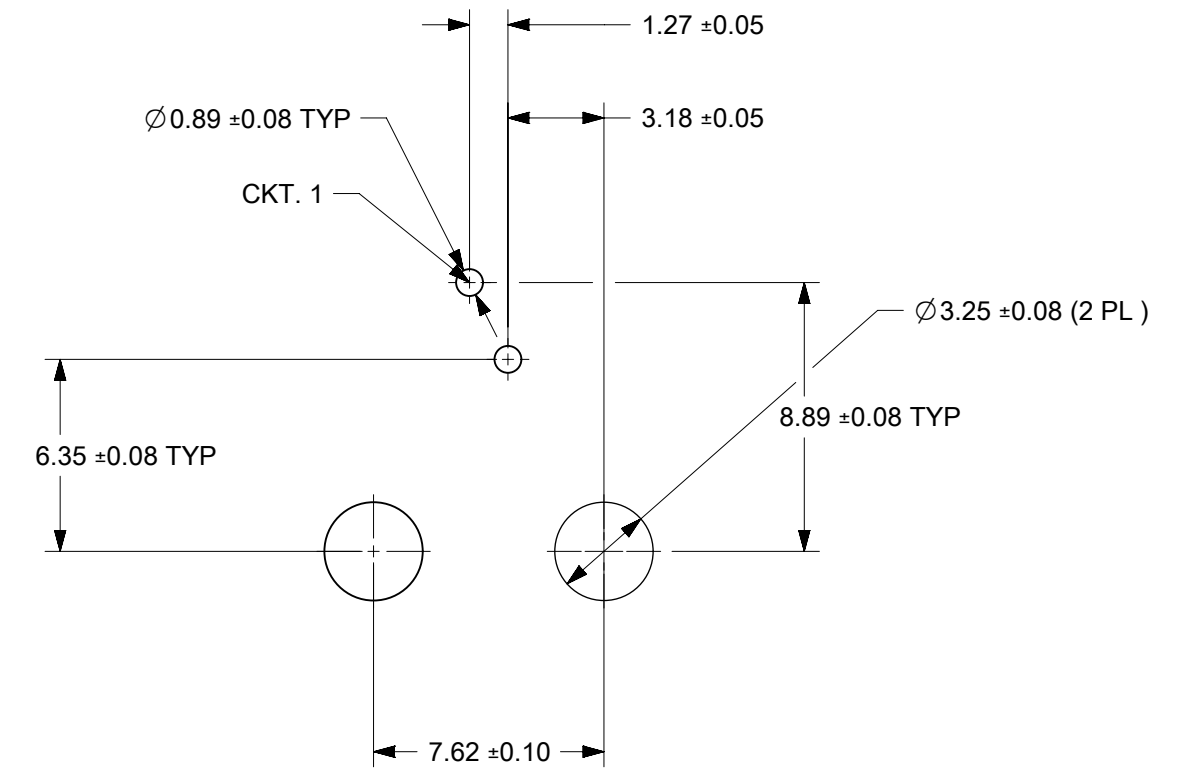
UNSHIELDED MODULAR JACKS- (SHEET 4)

NOT TOOLED "X"	ASSEMBLY MATERIAL NUMBER	CONNECTOR SIZE	NUMBER OF CIRCUITS	TERMINAL PLATING OPTION	KEYING OPTION	PACKAGING OPTION	HOUSING COLOR
	43202-4101	4	4	A	NO	TRAY	BLACK
X	43202-4104	4	2	A	NO	TRAY	
	43202-6101	6	6	A	NO	TRAY	
X	43202-6102	6	6	B	NO	TRAY	
X	43202-6104	6	4	A	NO	TRAY	
	43202-6105	6	4	B	NO	TRAY	
	43202-6107	6	2	A	NO	TRAY	
X	43202-6110	6	6	B	NO	TUBE	
X	43202-6113	6	2	A	NO	TRAY	ORANGE
X	43202-6116	6	2	A	NO	TRAY	GREEN
	43202-8101	8	10	A	NO	TRAY	BLACK
	43202-8104	8	8	A	NO	TRAY	
X	43202-8105	8	8	B	NO	TRAY	
	43202-8113	8	8	A	YES	TRAY	
X	43202-8116	8	6	A	NO	TRAY	
	43202-8119	8	4	A	NO	TRAY	
X	43202-8122	8	2	A	NO	TRAY	
X	43202-8125	8	8	A	NO	TRAY	BLUE
X	43202-8504	8	8	A	NO	TUBE	BLACK
X	43202-8513	8	8	A	YES	TUBE	

FUNCTIONAL SYMBOLS	THIS DRAWING CONTAINS INFORMATION THAT IS PROPRIETARY TO MOLEX ELECTRONIC TECHNOLOGIES, LLC AND SHOULD NOT BE USED WITHOUT WRITTEN PERMISSION		
	DIMENSION UNITS	SCALE	CURRENT REV DESC: MIGRATION TO NX
$\frac{F}{A} = 0$	mm	1:1	<p>molex</p> <p>ULTRA LOW PROFILE RIGHT ANGLE MODULAR JACK ASSEMBLY</p> <p>PRODUCT CUSTOMER DRAWING</p> <p>DOCUMENT NUMBER: SDA-43202 DOC TYPE: PSD DOC PART: 001 REVISION: L9</p> <p>MATERIAL NUMBER: GENERAL MARKET CUSTOMER: GENERAL MARKET SHEET NUMBER: 6 OF 9</p>
$\frac{F}{C} = 0$	GENERAL TOLERANCES (UNLESS SPECIFIED)		
$\frac{F}{P} = 0$	ANGULAR TOL ± 0.5°		
DIVISIONAL SYMBOLS	4 PLACES ±	2022/04/18	
	3 PLACES ±	2022/05/16	
	2 PLACES ± 0.25	2022/05/16	
	1 PLACE ± 0.36	2018/11/02	
	0 PLACES ±	2000/10/17	
DRAFT WHERE APPLICABLE MUST REMAIN WITHIN DIMENSIONS		THIRD ANGLE PROJECTION	DRAWING SERIES
			C-SIZE 43202



PC BOARD LAYOUT FOR 4 POSITION HOUSING
 (4 CIRCUIT FOOT PRINT SHOWN)
 (COMPONENT SIDE OF BOARD)

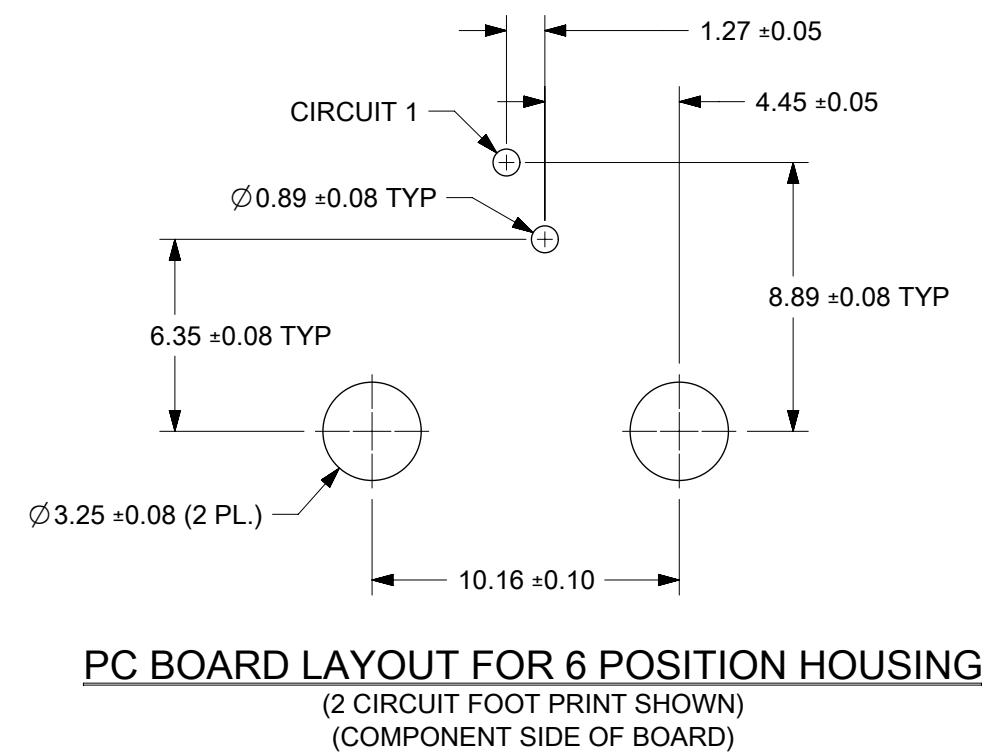
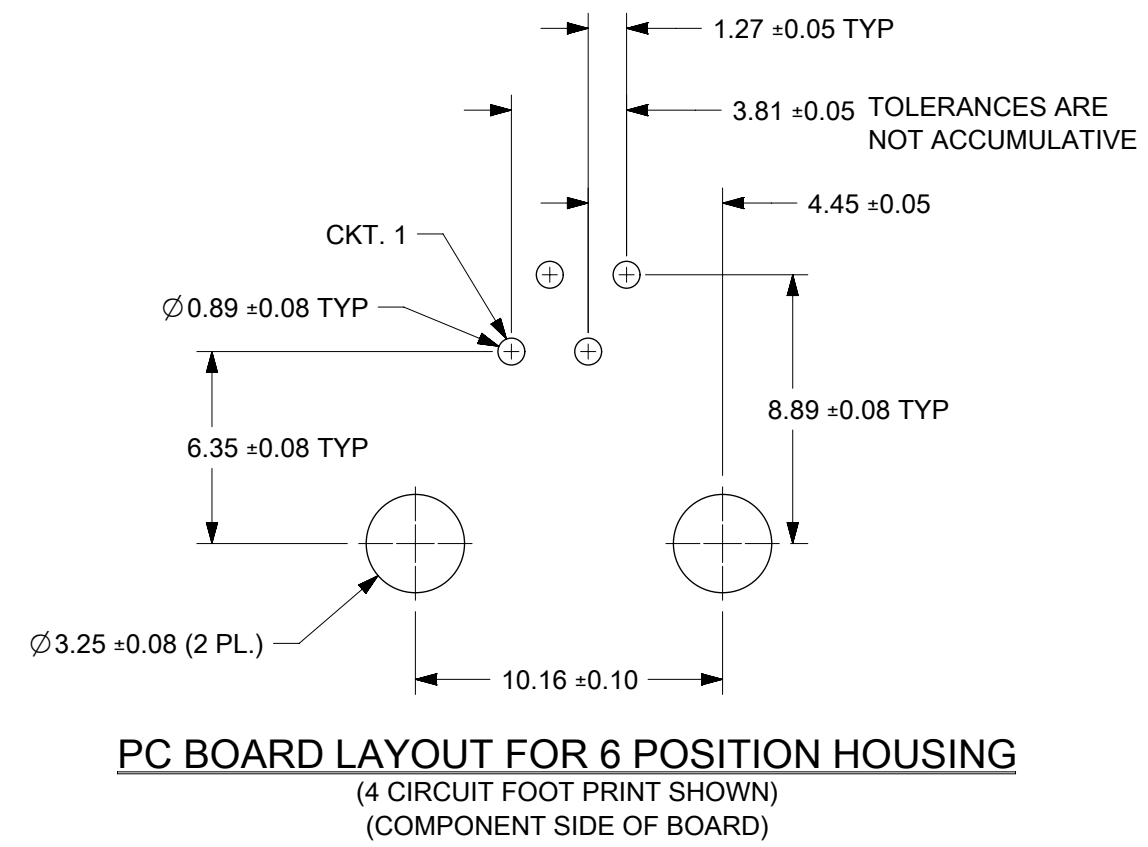
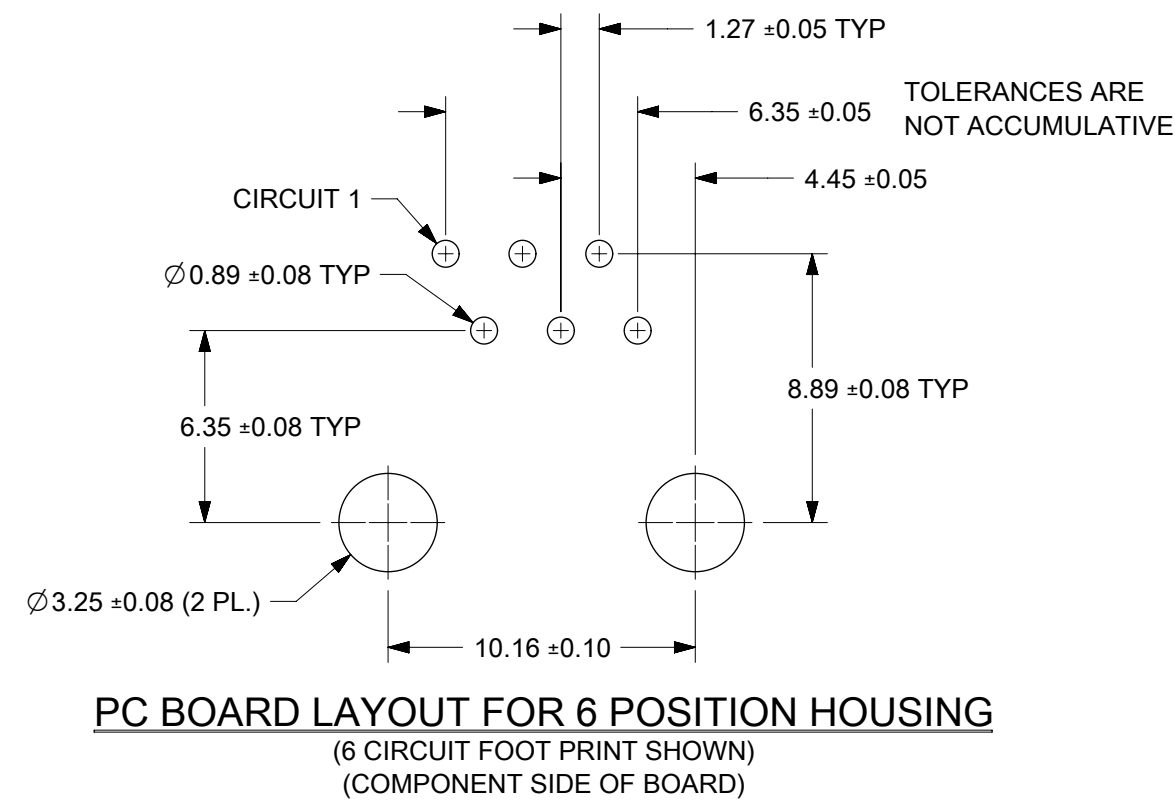


PC BOARD LAYOUT FOR 4 POSITION HOUSING
 (2 CIRCUIT FOOT PRINT SHOWN)
 (COMPONENT SIDE OF BOARD)

NOTES:

1. RECOMMENDED PCB THICKNESS: 1.57±0.13 mm.

FUNCTIONAL SYMBOLS	THIS DRAWING CONTAINS INFORMATION THAT IS PROPRIETARY TO MOLEX ELECTRONIC TECHNOLOGIES, LLC AND SHOULD NOT BE USED WITHOUT WRITTEN PERMISSION		
	DIMENSION UNITS	SCALE	CURRENT REV DESC: MIGRATION TO NX
$\nabla_A = 0$	mm	1:1	EC NO: 704381 DRWN: FAYEW 2022/04/18 CHK'D: KLANG 2022/05/16 APPR: KLANG 2022/05/16
$\nabla_C = 0$	GENERAL TOLERANCES (UNLESS SPECIFIED)		
$\nabla_P = 0$	ANGULAR TOL ± 0.5°		
DIVISIONAL SYMBOLS	4 PLACES	±	INITIAL REVISION: DRWN: RFC_PLMIMP 2018/11/02 APPR: REDGLEY 2000/10/17
	3 PLACES	±	
	2 PLACES	± 0.25	
	1 PLACE	± 0.36	
	0 PLACES	±	
DRAFT WHERE APPLICABLE MUST REMAIN WITHIN DIMENSIONS		THIRD ANGLE PROJECTION	DRAWING C-SIZE
		SERIES 43202	DOCUMENT NUMBER SDA-43202
		MATERIAL NUMBER	CUSTOMER GENERAL MARKET
			DOC TYPE PSD
			DOC PART 001
			REVISION L9
			SHEET NUMBER 7 OF 9



NOTES:
1. RECOMMENDED PCB THICKNESS: 1.57±0.13 mm.

FUNCTIONAL SYMBOLS	THIS DRAWING CONTAINS INFORMATION THAT IS PROPRIETARY TO MOLEX ELECTRONIC TECHNOLOGIES, LLC AND SHOULD NOT BE USED WITHOUT WRITTEN PERMISSION		
	DIMENSION UNITS	SCALE	CURRENT REV DESC: MIGRATION TO NX
$\frac{F}{A} = 0$	mm	1:1	EC NO: 704381 DRWN: FAYEW 2022/04/18 CHK'D: KLANG 2022/05/16 APPR: KLANG 2022/05/16
$\frac{F}{C} = 0$	GENERAL TOLERANCES (UNLESS SPECIFIED)		
$\frac{F}{P} = 0$	ANGULAR TOL ± 0.5°		INITIAL REVISION: DRWN: RFC_PLMIMP 2018/11/02 APPR: REDGLEY 2000/10/17
DIVISIONAL SYMBOLS	4 PLACES	±	DOCUMENT NUMBER SDA-43202
	3 PLACES	±	
	2 PLACES	± 0.25	DOC PART 001
	1 PLACE	± 0.36	REVISION L9
	0 PLACES	±	MATERIAL NUMBER GENERAL MARKET
DRAFT WHERE APPLICABLE MUST REMAIN WITHIN DIMENSIONS		THIRD ANGLE PROJECTION	SHEET NUMBER 8 OF 9
		DRAWING C-SIZE	SERIES 43202

molex

ULTRA LOW PROFILE
RIGHT ANGLE MODULAR JACK ASSEMBLY

PRODUCT CUSTOMER DRAWING

