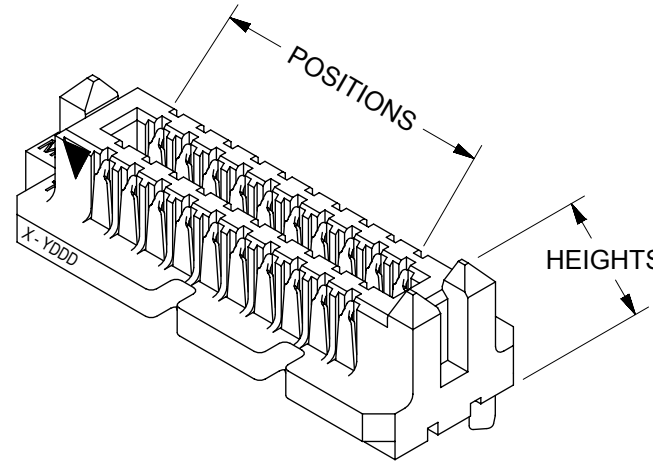
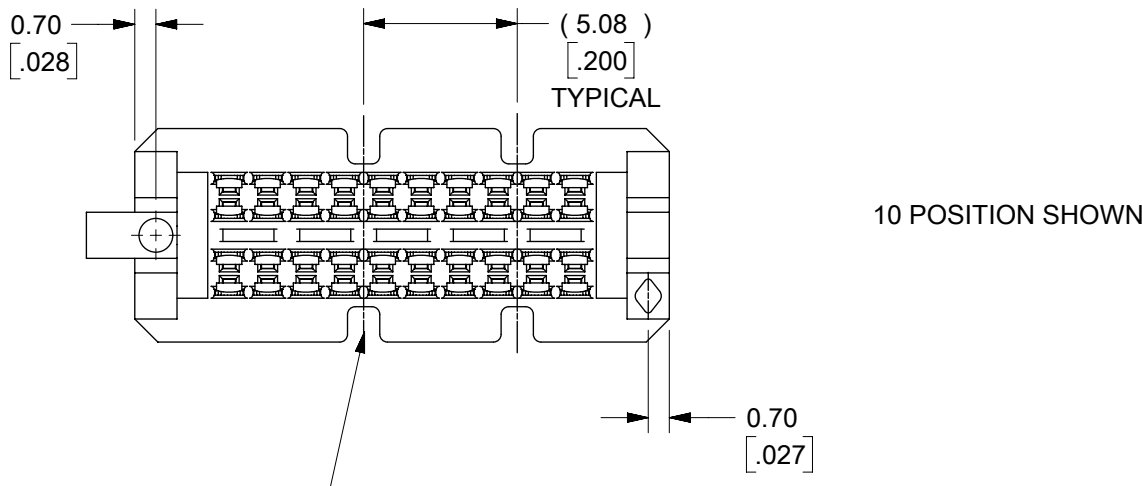
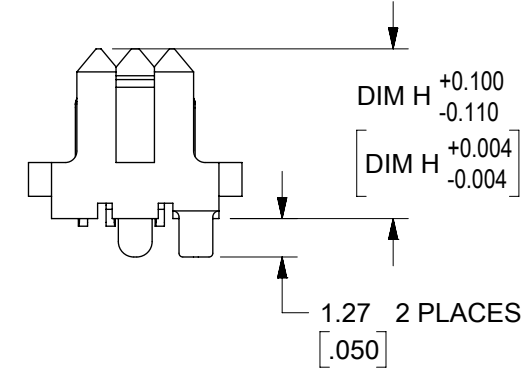
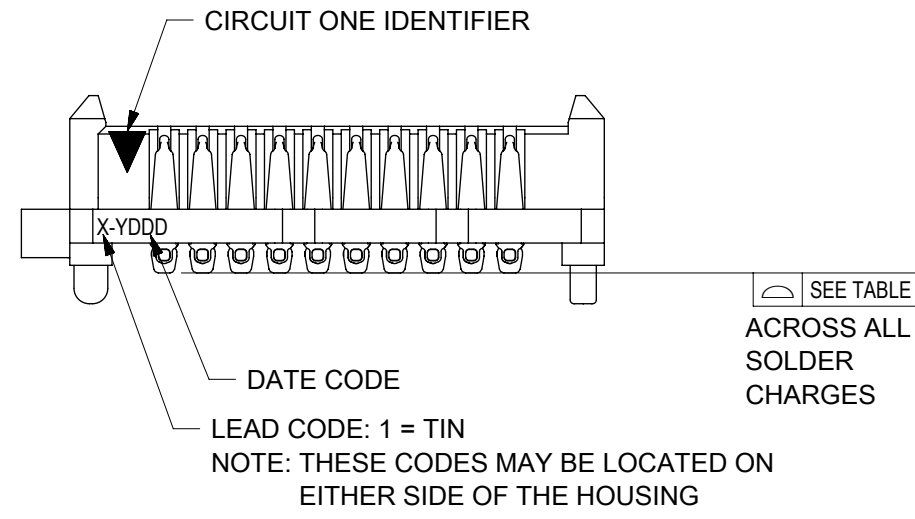


- NOTES:
- MATERIALS: HOUSING: GLASS FILLED LCP (LIQUID CRYSTAL POLYMER), UL94V-0, BLACK  
CONTACTS: COPPER ALLOY  
SOLDER CHARGE: 95.5% TIN, 3.8% SILVER, 0.7% COPPER
  - FINISHES: CONTACT AREA: 30 MICROINCH MINIMUM GOLD  
TAIL AREA: -\*1\*\* AND -\*4\*\* ASSEMBLIES: 7 MICROINCH MINIMUM GOLD  
ALL OTHER ASSEMBLIES: 50 MICROINCH MINIMUM TIN  
ENTIRE TERMINAL: NICKEL UNDERPLATE
  - PRODUCT SPECIFICATION: PS-45970-001
  - PACKAGING SPECIFICATION: PK-45970-002 (TAPE AND REEL)
  - MATES WITH SEARAY RECEPTACLE ASSEMBLY SERIES 46557
  - APPLICATION SPECIFICATION: AS-45970-001
  - COSMETIC SPECIFICATION: PS-45499-002 CLASS B
  - PART STATUS: CONTACT MOLEX

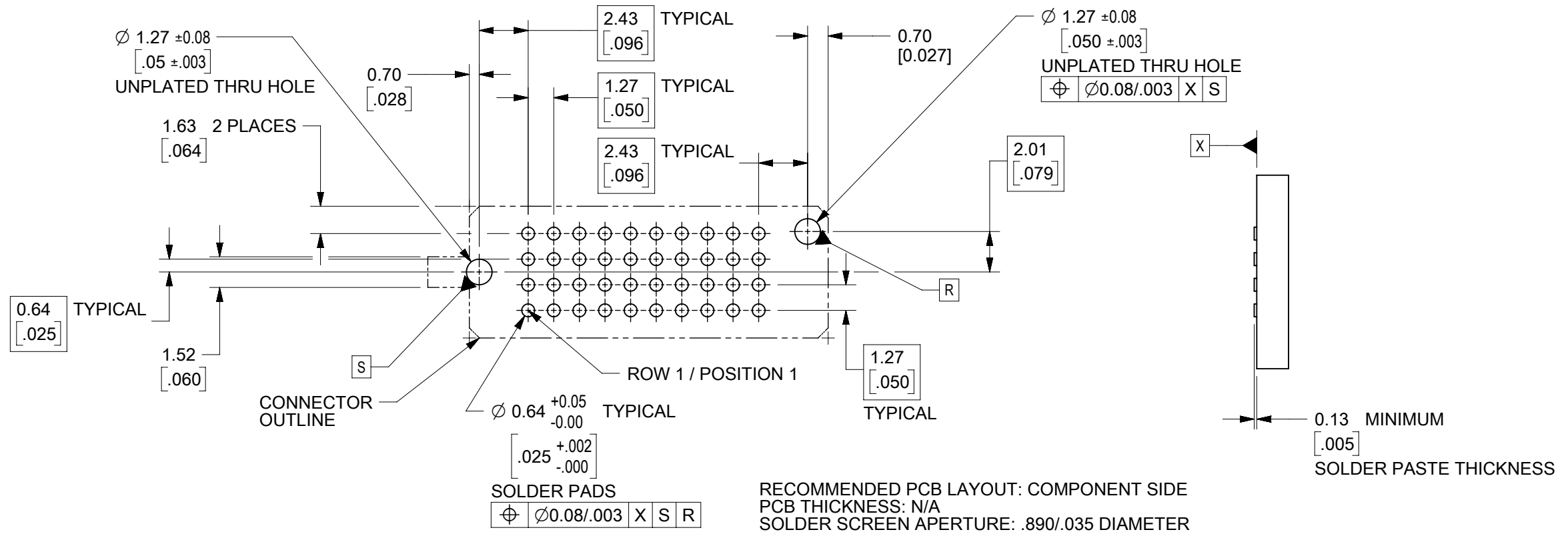


POSITIONS	DIM G		TOTAL NUMBER OF EDGE NOTCHES
10	17.69/.698	0.15/.006	4
15	24.04/.948	0.15/.006	6
20	30.39/1.198	0.15/.006	10
25	36.74/1.448	0.15/.006	12
30	43.09/1.698	0.15/.006	14
35	49.44/1.948	0.15/.006	16
40	55.79/2.198	0.15/.006	20
45	62.14/2.448	0.23/.009	22
50	68.49/2.698	0.23/.009	24

EDGE NOTCHES - SEE TABLE  
(THE NUMBER OF NOTCHES INCREASES AS THE NUMBER OF POSITIONS INCREASES. LOCATION REF. ONLY)

THIS DRAWING CONTAINS INFORMATION THAT IS PROPRIETARY TO MOLEX ELECTRONIC TECHNOLOGIES, LLC AND SHOULD NOT BE USED WITHOUT WRITTEN PERMISSION

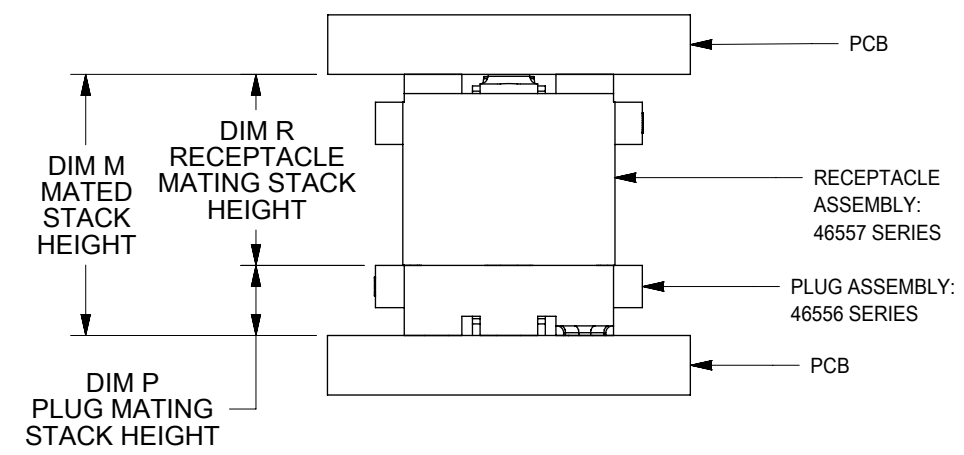
DIMENSION UNITS <b>MM/IN</b>	SCALE <b>4:1</b>	CURRENT REV DESC:		<b>molex</b>		
GENERAL TOLERANCES (UNLESS SPECIFIED)		EC NO: 712067				
ANGULAR TOL ± 0.5°		DRWN: CLHOE01	2022/01/19	PRODUCT CUSTOMER DRAWING		
4 PLACES ±		CHK'D: HCGOH	2022/06/27	DOCUMENT NUMBER		
3 PLACES ±		APPR: SHONG	2022/07/14	SD-46556-001		
2 PLACES ± 0.25		INITIAL REVISION:		DOC TYPE	DOC PART	REVISION
1 PLACE ± 0.38		DRWN: TGREGORI	2007/06/28	PSD	001	P
0 PLACES ±		APPR: JCOMERCI	2007/06/29	SHEET NUMBER		
DRAFT WHERE APPLICABLE MUST REMAIN WITHIN DIMENSIONS	THIRD ANGLE PROJECTION	DRAWING	SERIES	MATERIAL NUMBER	CUSTOMER	
		B-SIZE	46556	SEE TABLE SHT 3	GENERAL MARKET	1 OF 3



RECOMMENDED PCB LAYOUT: COMPONENT SIDE  
 PCB THICKNESS: N/A  
 SOLDER SCREEN APERTURE: .890/.035 DIAMETER

		DIM R RECEPTACLE STACK HEIGHT									
		5.0		6.0		6.5		7.5		8.0	
DIM P PLUG STACK HEIGHT	mm	DIM M FULLY MATED	DIM M MAX	DIM M FULLY MATED	DIM M MAX	DIM M FULLY MATED	DIM M MAX	DIM M FULLY MATED	DIM M MAX	DIM M FULLY MATED	DIM M MAX
	2.0	7.00	7.74	8.00	8.74	8.50	9.24	9.50	10.24	10.00	10.74
	2.5	7.50	8.24	8.50	9.24	9.00	9.74	10.00	10.74	10.50	11.24
	3.0	8.00	8.74	9.00	9.74	9.50	10.24	10.50	11.24	11.00	11.74
	3.5	8.50	9.24	9.50	10.24	10.00	10.74	11.00	11.74	11.50	12.24
	4.5	9.50	10.24	10.50	11.24	11.00	11.74	12.00	12.74	12.50	13.24
	5.0	10.00	10.74	11.00	11.74	11.50	12.24	12.50	13.24	13.00	13.74
	7.0	12.00	12.74	13.00	13.74	13.50	14.24	14.50	15.24	15.00	15.74

MATED STACK HEIGHTS  
 GIVEN IN MILLIMETERS (mm) FOR REFERENCE ONLY



STACK HEIGHTS  
 GIVEN IN MILLIMETERS (mm) FOR REFERENCE ONLY

THIS DRAWING CONTAINS INFORMATION THAT IS PROPRIETARY TO MOLEX ELECTRONIC TECHNOLOGIES, LLC AND SHOULD NOT BE USED WITHOUT WRITTEN PERMISSION

DIMENSION UNITS <b>MM/IN</b>	SCALE <b>4:1</b>	CURRENT REV DESC:		<b>molex</b>		
GENERAL TOLERANCES (UNLESS SPECIFIED)		EC NO: 712067				
ANGULAR TOL ± 0.5°		DRWN: CLHOE01	2022/01/19	PRODUCT CUSTOMER DRAWING		
4 PLACES ±		CHK'D: HCGOH	2022/06/27	DOCUMENT NUMBER		
3 PLACES ±		APPR: SHONG	2022/07/14	SD-46556-001		
2 PLACES ± 0.25		INITIAL REVISION:		DOC TYPE	DOC PART	REVISION
1 PLACE ± 0.38		DRWN: TGGREGORI	2007/06/28	PSD	001	P
0 PLACES ±		APPR: JCOMERCI	2007/06/29	SHEET NUMBER		
DRAFT WHERE APPLICABLE MUST REMAIN WITHIN DIMENSIONS	THIRD ANGLE PROJECTION	DRAWING	SERIES	MATERIAL NUMBER	CUSTOMER	
		B-SIZE	46556	SEE TABLE SHT 3	GENERAL MARKET	2 OF 3

E

D


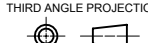
C

B

A

DIM P:	2.0 mm	3.0 mm	3.5 mm	2.5 mm	4.5 mm	5.0 mm	7.0 mm
DIM H:	5.61/.221	6.60/.260	7.11/.280	6.12/.241	8.10/.319	8.61/.339	10.61/.418
POSITIONS	MATERIAL NO	MATERIAL NO	MATERIAL NO	MATERIAL NO	MATERIAL NO	MATERIAL NO	MATERIAL NO
10	46556-1145	46556-1245	46556-1345	46556-1445	46556-1545	46556-1645	46556-1745
20	46556-2145	46556-2245	46556-2345	46556-2445	46556-2545	46556-2645	46556-2745
30	46556-3145	46556-3245	46556-3345	46556-3445	46556-3545	46556-3645	46556-3745
40	46556-4145	46556-4245	46556-4345	46556-4445	46556-4545	46556-4645	46556-4745
50	46556-5145	46556-5245	46556-5345	46556-5445	46556-5545	46556-5645	46556-5745
15	46556-6145	46556-6245	46556-6345	46556-6445	46556-6545	46556-6645	46556-6745
25	46556-7145	46556-7245	46556-7345	46556-7445	46556-7545	46556-7645	46556-7745
35	46556-8145	46556-8245	46556-8345	46556-8445	46556-8545	46556-8645	46556-8745
45	46556-9145	46556-9245	46556-9345	46556-9445	46556-9545	46556-9645	46556-9745

MATING STACK HEIGHTS (DIMENSION P)  
GIVEN IN MILLIMETERS (mm) FOR REFERENCE ONLY

THIS DRAWING CONTAINS INFORMATION THAT IS PROPRIETARY TO MOLEX ELECTRONIC TECHNOLOGIES, LLC AND SHOULD NOT BE USED WITHOUT WRITTEN PERMISSION												
DIMENSION UNITS		SCALE		CURRENT REV DESC:								
MM/IN		1:1		EC NO: 712067 DRWN: CLHOE01 2022/01/19 CHK'D: HCGOH 2022/06/27 APPR: SHONG 2022/07/14								
GENERAL TOLERANCES (UNLESS SPECIFIED)				INITIAL REVISION:				DOCUMENT NUMBER		DOC TYPE	DOC PART	REVISION
ANGULAR TOL ± 0.5°				DRWN: TGREGORI 2007/06/28				SD-46556-001		PSD	001	P
4 PLACES ±				APPR: JCOMERCI 2007/06/29				MATERIAL NUMBER		CUSTOMER		SHEET NUMBER
3 PLACES ±				DRAFT WHERE APPLICABLE MUST REMAIN WITHIN DIMENSIONS				SEE TABLE		GENERAL MARKET		3 OF 3
2 PLACES ± 0.25				THIRD ANGLE PROJECTION		DRAWING		SERIES				
1 PLACE ± 0.38						B-SIZE		46556				
0 PLACES ±												