

PLEASE CHECK WWW.MOLEX.COM FOR LATEST PART INFORMATION

Part Number: **0622008400**
Status: **Active**
Overview: [Application Tooling](#)
Description: Compliant Pin Insertion Flat Rock Tool

Documents:

[RoHS Certificate of Compliance \(PDF\)](#)

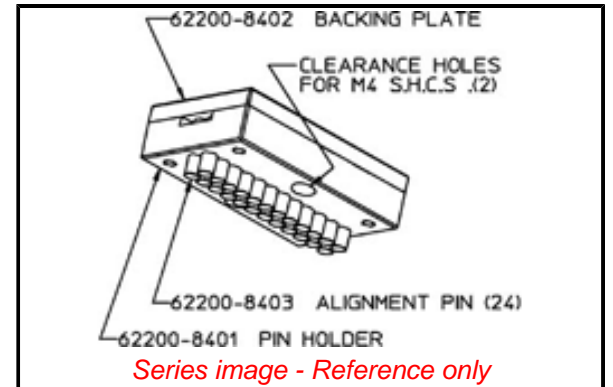
General

Product Family	Application Tooling
Series	207122
Function	Insertion
Geographic Area	Global
Level of Automation	Manual
More Detailed Tech Information	applicationtooling@molex.com
Overview	Application Tooling
Product Name	N/A
Tool Type	Press-Fit Insertion Tool
UPC	756054584590
Warranty Disclaimer	CAUTION: Molex tooling crimp specifications are valid only when used with Molex terminals and tooling manufactured by Molex and sold by Molex or authorized distributors ("Molex Tooling"). When using tooling other than Molex Tooling with Molex specific connector systems listed in our ATS documents, the Molex tooling qualification does not apply and the responsibility for full qualification of the connector system is that of the customer. Molex accepts no liability for connector performance or tooling support where tooling other than Molex Tooling is used or where Molex Tooling is modified.

Material Info

Reference - Drawing Numbers

Application Tooling Documents [ATS-622008400](#)



EU ELV

Not Relevant

EU RoHS

Not Reviewed

REACH SVHC

Not Reviewed

Halogen-Free

Status

Not Relevant

For more information, please visit [Contact US](#)

China ROHS

Not Relevant

ELV

Not Relevant

RoHS Phthalates

Not Reviewed

Search Parts in this Series

[207122 Series](#)

Application Tooling

FAQ

Description

Product #

Micro-Fit CPI [449140201](#)

Header, Compliant

Pin Interface, Dual

Row, Vertical, 2

Circuits, Tin (Sn)

Plating, Glow-Wire

Capable

Micro-Fit CPI [449140401](#)

Header, Compliant

Pin Interface, Dual

Row, Vertical, 4

Circuits, Tin (Sn)

Plating, Glow-Wire

Capable

Micro-Fit CPI [449140601](#)

Header, Compliant

Pin Interface, Dual

Row, Vertical, 6

Circuits, Tin (Sn)

Plating, Glow-Wire

Capable

Micro-Fit CPI Header, Compliant Pin Interface, Dual Row, Vertical, 8 Circuits, Tin (Sn) Plating, Glow-Wire Capable	<u>449140801</u>
Micro-Fit CPI Header, Compliant Pin Interface, Dual Row, Vertical, 10 Circuits, Tin (Sn) Plating, Glow-Wire Capable	<u>449141001</u>
Micro-Fit CPI Header, Compliant Pin Interface, Dual Row, Vertical, 12 Circuits, Tin (Sn) Plating, Glow-Wire Capable	<u>449141201</u>
Micro-Fit CPI Header, Compliant Pin Interface, Dual Row, Vertical, 14 Circuits, Tin (Sn) Plating, Glow-Wire Capable	<u>449141401</u>
Micro-Fit CPI Header, Compliant Pin Interface, Dual Row, Vertical, 16 Circuits, Tin (Sn) Plating, Glow-Wire Capable	<u>449141601</u>
Micro-Fit CPI Header, Compliant Pin Interface, Dual Row, Vertical, 18 Circuits, Tin (Sn) Plating, Glow-Wire Capable	<u>449141801</u>
Micro-Fit CPI Header, Compliant Pin Interface, Dual Row, Vertical, 20 Circuits, Tin (Sn) Plating, Glow-Wire Capable	<u>449142001</u>
Micro-Fit CPI Header, Compliant Pin Interface, Dual Row, Vertical, 24 Circuits, Tin (Sn) Plating, Glow-Wire Capable	<u>449142401</u>
Micro-Fit CPI Header, Dual Row, Vertical, Compliant Pin Interface, 4 Circuits, LCP, Glass- Filled, UL 94V-0, 0.38µm Gold (Au) Selective Contact Plating, Tin (Sn)	<u>449145402</u>

Plated Tails, Glow-
Wire Capable
Micro-Fit CPI 449145602
Header, Dual Row,
Vertical, Compliant
Pin Interface, 6
Circuits, LCP, Glass-
Filled, UL 94V-0,
0.38µm Gold (Au)
Selective Contact
Plating, Tin (Sn)
Plated Tails, Glow-
Wire Capable
Micro-Fit CPI 449145802
Header, Dual Row,
Vertical, Compliant
Pin Interface, 8
Circuits, LCP, Glass-
Filled, UL 94V-0,
0.38µm Gold (Au)
Selective Contact
Plating, Tin (Sn)
Plated Tails, Glow-
Wire Capable
Micro-Fit CPI 449145803
Header, Dual Row,
Vertical, Compliant
Pin Interface, 8
Circuits, LCP, Glass-
Filled, UL 94V-0,
0.76µm Gold (Au)
Selective Contact
Plating, Tin (Sn)
Plated Tails, Glow-
Wire Capable
Micro-Fit CPI 449146403
Header, Dual Row,
Vertical, Compliant
Pin Interface, 14
Circuits, LCP, Glass-
Filled, UL 94V-0,
0.76µm Gold (Au)
Selective Contact
Plating, Tin (Sn)
Plated Tails, Glow-
Wire Capable
Micro-Fit CPI 449146803
Header, Dual Row,
Vertical, Compliant
Pin Interface, 18
Circuits, LCP, Glass-
Filled, UL 94V-0,
0.76µm Gold (Au)
Selective Contact
Plating, Tin (Sn)
Plated Tails, Glow-
Wire Capable
Micro-Fit CPI 449147003
Header, Dual Row,
Vertical, Compliant
Pin Interface, 20
Circuits, LCP, Glass-
Filled, UL 94V-0,
0.76µm Gold (Au)
Selective Contact

Plating, Tin (Sn)
Plated Tails, Glow-
Wire Capable
Micro-Fit CPI 449147402
Header, Dual Row,
Vertical, Compliant
Pin Interface, 24
Circuits, LCP, Glass-
Filled, UL 94V-0,
0.38µm Gold (Au)
Selective Contact
Plating, Tin (Sn)
Plated Tails, Glow-
Wire Capable
Micro-Fit BMI CPI 452800401
Compliant Pin
Header, Blind Mate
Interface, Dual Row,
Vertical, 4 Circuits,
PA Polyamide Nylon
4/6, UL 94V-0, Tin
(Sn) Over Nickel (Ni)
Plating
MicroFit 3.0 Hdr Vert 452800404
CPI 4ckt Matte Sn
Micro-Fit BMI CPI 452800452
Compliant Pin
Header, Blind Mate
Interface, Dual Row,
Vertical, 4 Circuits,
PA Polyamide Nylon
4/6, UL 94V-0,
0.38µm Gold (Au)
Selective Contact
Plating, Tin (Sn) Tail
Plating
Micro-Fit BMI CPI 452800601
Compliant Pin
Header, Blind Mate
Interface, Dual Row,
Vertical, 6 Circuits,
PA Polyamide Nylon
4/6, UL 94V-0, Tin
(Sn) Over Nickel (Ni)
Plating
Micro-Fit BMI CPI 452800652
Compliant Pin
Header, Blind Mate
Interface, Dual Row,
Vertical, 6 Circuits,
PA Polyamide Nylon
4/6, UL 94V-0,
0.38µm Gold (Au)
Selective Contact
Plating, Tin (Sn) Tail
Plating
Micro-Fit BMI CPI 452800653
Compliant Pin
Header, Blind Mate
Interface, Dual Row,
Vertical, 6 Circuits,
PA Polyamide Nylon
4/6, UL 94V-0,
0.76µm Gold (Au)
Selective Contact

Plating, Tin (Sn) Tail
Plating
Micro-Fit BMI CPI 452800801
Compliant Pin
Header, Blind Mate
Interface, Dual Row,
Vertical, 8 Circuits,
PA Polyamide Nylon
4/6, UL 94V-0, Tin
(Sn) Over Nickel (Ni)
Plating
Micro-Fit BMI CPI 452800852
Compliant Pin
Header, Blind Mate
Interface, Dual Row,
Vertical, 8 Circuits,
PA Polyamide Nylon
4/6, UL 94V-0,
0.38 μ m Gold (Au)
Selective Contact
Plating, Tin (Sn) Tail
Plating
Micro-Fit BMI CPI 452800853
Compliant Pin
Header, Blind Mate
Interface, Dual Row,
Vertical, 8 Circuits,
PA Polyamide Nylon
4/6, UL 94V-0,
0.76 μ m Gold (Au)
Selective Contact
Plating, Tin (Sn) Tail
Plating
Micro-Fit BMI CPI 452801001
Compliant Pin
Header, Blind Mate
Interface, Dual Row,
Vertical, 10 Circuits,
PA Polyamide Nylon
4/6, UL 94V-0, Tin
(Sn) Over Nickel (Ni)
Plating
MicroFit 3.0 Hdr Vert 452801004
CPI 10ckt Matte Sn
Micro-Fit BMI CPI 452801052
Compliant Pin
Header, Blind Mate
Interface, Dual Row,
Vertical, 10 Circuits,
PA Polyamide Nylon
4/6, UL 94V-0,
0.38 μ m Gold (Au)
Selective Contact
Plating, Tin (Sn) Tail
Plating
Micro-Fit BMI CPI 452801053
Compliant Pin
Header, Blind Mate
Interface, Dual Row,
Vertical, 10 Circuits,
PA Polyamide Nylon
4/6, UL 94V-0,
0.76 μ m Gold (Au)
Selective Contact

Plating, Tin (Sn) Tail
Plating
Micro-Fit BMI CPI [452801201](#)
Compliant Pin
Header, Blind Mate
Interface, Dual Row,
Vertical, 12 Circuits,
PA Polyamide Nylon
4/6, UL 94V-0, Tin
(Sn) Over Nickel (Ni)
Plating
Micro-Fit BMI CPI [452801252](#)
Compliant Pin
Header, Blind Mate
Interface, Dual Row,
Vertical, 12 Circuits,
PA Polyamide Nylon
4/6, UL 94V-0,
0.38 μ m Gold (Au)
Selective Contact
Plating, Tin (Sn) Tail
Plating
Micro-Fit BMI CPI [452801253](#)
Compliant Pin
Header, Blind Mate
Interface, Dual Row,
Vertical, 12 Circuits,
PA Polyamide Nylon
4/6, UL 94V-0,
0.76 μ m Gold (Au)
Selective Contact
Plating, Tin (Sn) Tail
Plating
Micro-Fit BMI CPI [452801401](#)
Compliant Pin
Header, Blind Mate
Interface, Dual Row,
Vertical, 14 Circuits,
PA Polyamide Nylon
4/6, UL 94V-0, Tin
(Sn) Over Nickel (Ni)
Plating
Micro-Fit BMI CPI [452801452](#)
Compliant Pin
Header, Blind Mate
Interface, Dual Row,
Vertical, 14 Circuits,
PA Polyamide Nylon
4/6, UL 94V-0,
0.38 μ m Gold (Au)
Selective Contact
Plating, Tin (Sn) Tail
Plating
Micro-Fit BMI CPI [452801453](#)
Compliant Pin
Header, Blind Mate
Interface, Dual Row,
Vertical, 14 Circuits,
PA Polyamide Nylon
4/6, UL 94V-0,
0.76 μ m Gold (Au)
Selective Contact
Plating, Tin (Sn) Tail
Plating

Micro-Fit BMI CPI 452801601
Compliant Pin
Header, Blind Mate
Interface, Dual Row,
Vertical, 16 Circuits,
PA Polyamide Nylon
4/6, UL 94V-0, Tin
(Sn) Over Nickel (Ni)
Plating

Micro-Fit BMI CPI 452801652
Compliant Pin
Header, Blind Mate
Interface, Dual Row,
Vertical, 16 Circuits,
PA Polyamide Nylon
4/6, UL 94V-0,
0.38 μ m Gold (Au)
Selective Contact
Plating, Tin (Sn) Tail
Plating

Micro-Fit BMI CPI 452801653
Compliant Pin
Header, Blind Mate
Interface, Dual Row,
Vertical, 16 Circuits,
PA Polyamide Nylon
4/6, UL 94V-0,
0.76 μ m Gold (Au)
Selective Contact
Plating, Tin (Sn) Tail
Plating

Micro-Fit BMI CPI 452801801
Compliant Pin
Header, Blind Mate
Interface, Dual Row,
Vertical, 18 Circuits,
PA Polyamide Nylon
4/6, UL 94V-0, Tin
(Sn) Over Nickel (Ni)
Plating

Micro-Fit BMI CPI 452801852
Compliant Pin
Header, Blind Mate
Interface, Dual Row,
Vertical, 18 Circuits,
PA Polyamide Nylon
4/6, UL 94V-0,
0.38 μ m Gold (Au)
Selective Contact
Plating, Tin (Sn) Tail
Plating

Micro-Fit BMI CPI 452801853
Compliant Pin
Header, Blind Mate
Interface, Dual Row,
Vertical, 18 Circuits,
PA Polyamide Nylon
4/6, UL 94V-0,
0.76 μ m Gold (Au)
Selective Contact
Plating, Tin (Sn) Tail
Plating

Micro-Fit BMI CPI 452802001
Compliant Pin
Header, Blind Mate

Interface, Dual Row,
Vertical, 20 Circuits,
PA Polyamide Nylon
4/6, UL 94V-0, Tin
(Sn) Over Nickel (Ni)
Plating

Micro-Fit BMI CPI [452802052](#)

Compliant Pin
Header, Blind Mate
Interface, Dual Row,
Vertical, 20 Circuits,
PA Polyamide Nylon
4/6, UL 94V-0,
0.38 μ m Gold (Au)
Selective Contact
Plating, Tin (Sn) Tail
Plating

Micro-Fit BMI CPI [452802053](#)

Compliant Pin
Header, Blind Mate
Interface, Dual Row,
Vertical, 20 Circuits,
PA Polyamide Nylon
4/6, UL 94V-0,
0.76 μ m Gold (Au)
Selective Contact
Plating, Tin (Sn) Tail
Plating

Micro-Fit BMI CPI [452802401](#)

Compliant Pin
Header, Blind Mate
Interface, Dual Row,
Vertical, 24 Circuits,
PA Polyamide Nylon
4/6, UL 94V-0, Tin
(Sn) Over Nickel (Ni)
Plating

Micro-Fit BMI CPI [452802452](#)

Compliant Pin
Header, Blind Mate
Interface, Dual Row,
Vertical, 24 Circuits,
PA Polyamide Nylon
4/6, UL 94V-0,
0.38 μ m Gold (Au)
Selective Contact
Plating, Tin (Sn) Tail
Plating

Micro-Fit BMI CPI [452802453](#)

Compliant Pin
Header, Blind Mate
Interface, Dual Row,
Vertical, 24 Circuits,
PA Polyamide Nylon
4/6, UL 94V-0,
0.76 μ m Gold (Au)
Selective Contact
Plating, Tin (Sn) Tail
Plating