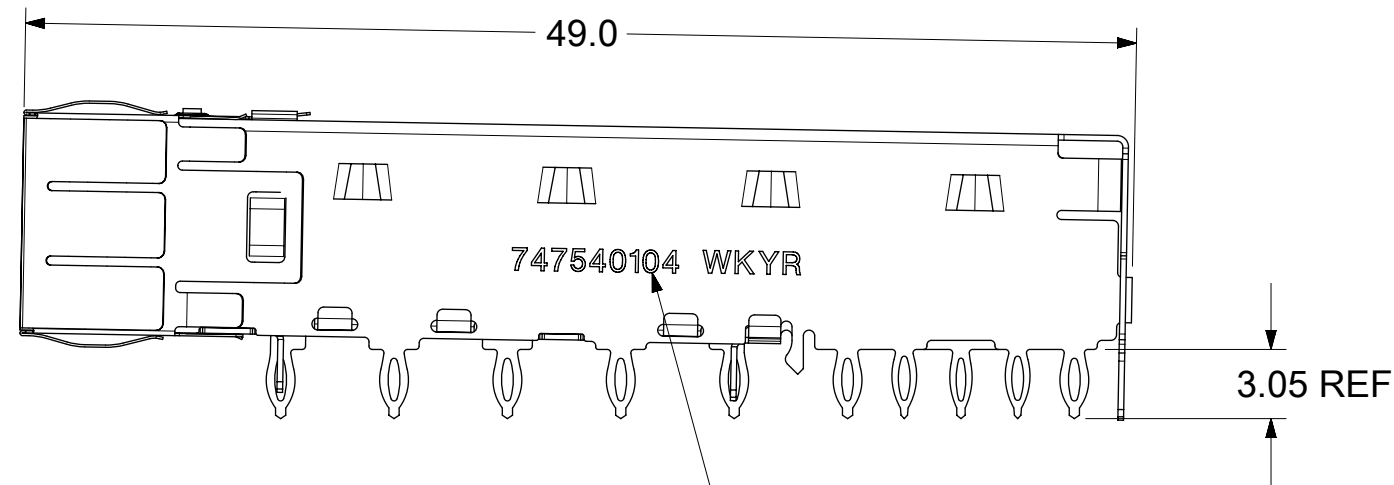
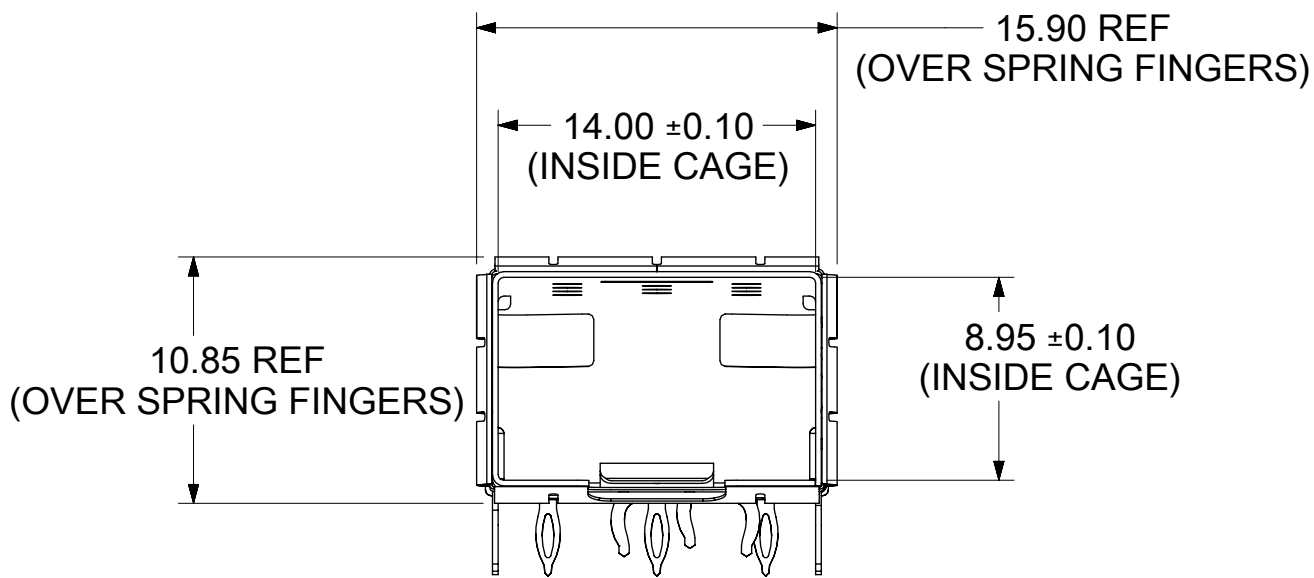


EMI SPRING FINGER



747540104 WKYR

PART NO. AND WEEK/YEAR DATE CODE TO BE STAMPED ON THE SIDE OF COMPLETED CAGE ASSEMBLY APPROXIMATELY AS SHOWN

WEEK/YEAR DATE CODE TABLE	
WK	01 THRU 52 OR 53 EXAMPLE: 01 = FIRST WEEK OF YEAR 52= LAST WEEK OF THE YEAR
YR	22, 23, 24 ETC. EXAMPLE: YEAR 2022 = 22

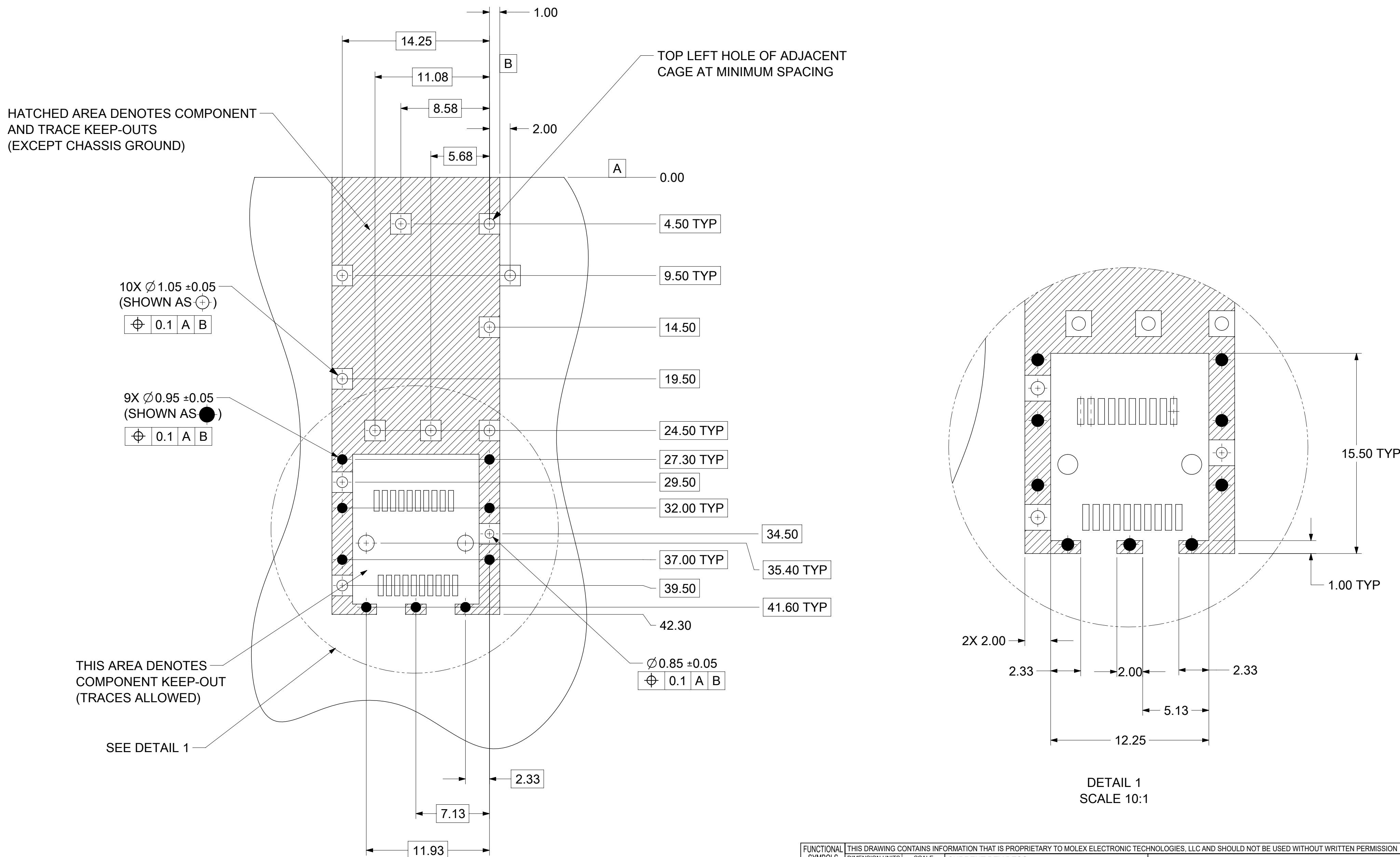
NOTES:

- MATERIAL:
CAGE: NICKEL PLATED COPPER ALLOY, THICKNESS 0.25mm
SPRING FINGER: STAINLESS STEEL
- PRESS FIT LEGS 3.05 LONG -
1.57 MINIMUM PCB THICKNESS FOR SINGLE SIDED USE
- PORTS ARE DESIGNED FOR SFP+ TRANSCEIVERS AND ARE BACKWARDS
COMPATIBLE WITH SFP TRANSCEIVERS
- NO RoHS EXEMPTIONS.

FUNCTIONAL SYMBOLS	THIS DRAWING CONTAINS INFORMATION THAT IS PROPRIETARY TO MOLEX ELECTRONIC TECHNOLOGIES, LLC AND SHOULD NOT BE USED WITHOUT WRITTEN PERMISSION		CURRENT REV DESC:						
	DIMENSION UNITS	SCALE							SFP+ 1X1 PCI CAGE ASY, PRESS FIT WITH SUS SPRING FINGERS
FA = 0	mm	3:1	EC NO: 725270		PRODUCT CUSTOMER DRAWING				
EA = 0	GENERAL TOLERANCES (UNLESS SPECIFIED)		DRWN: TKUMARKC 2022/08/10		DOCUMENT NUMBER				
EP = 0	ANGULAR TOL ± 1.0°		CHK'D: SMALLESHAPPA 2022/10/19		747540104				
DIVISIONAL SYMBOLS	4 PLACES ±		APPR: SCHIEN 2022/10/19		DOC TYPE		DOC PART		REVISION
	3 PLACES ±		INITIAL REVISION:		PSD		ASY		D1
	2 PLACES ± 0.15		DRWN: PGSHETTY 2017/01/25		MATERIAL NUMBER		CUSTOMER		SHEET NUMBER
1 PLACE ± 0.25			APPR: RCHEN08 2017/04/06		747540104				1 OF 4
0 PLACES ±			DRAFT WHERE APPLICABLE MUST REMAIN WITHIN DIMENSIONS		THIRD ANGLE PROJECTION		DRAWING		SERIES
					C-SIZE		74754		

DOCUMENT STATUS	P1	RELEASE DATE	2022/10/19	13:58:00
-----------------	----	--------------	------------	----------

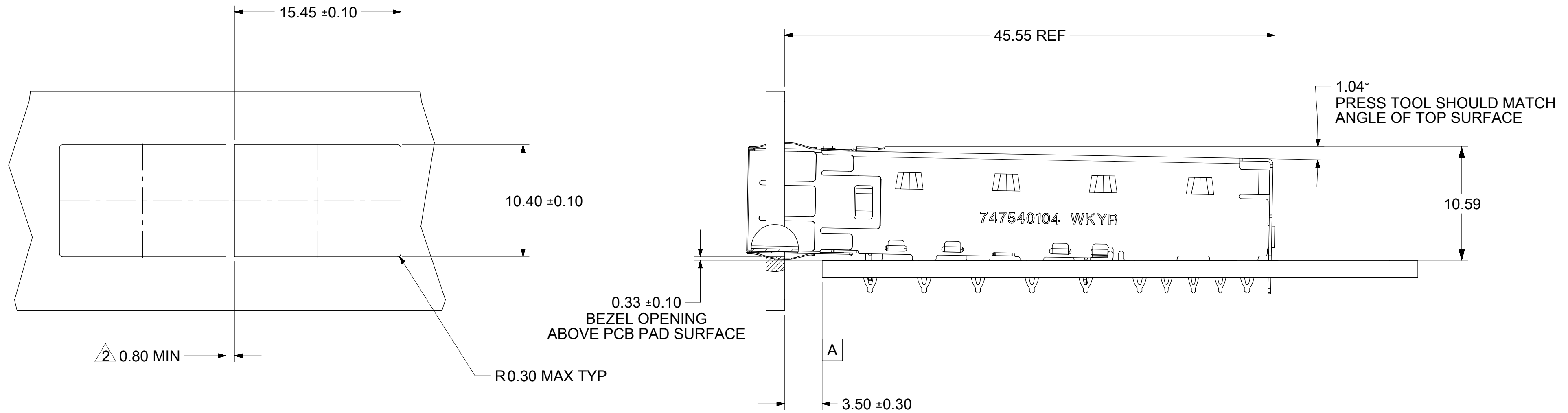
PCB LAYOUT FOR SINGLE SIDE MOUNT



- NOTES:
1. PADS AND VIAS CONNECT TO CHASSIS GROUND (RECOMMEND PADS TO BE 2.00mm SQUARE)
 2. RECOMMENDED THRU HOLE PLATING INCLUDES HASL, OSP, OR IMMERSION (GOLD, SILVER, OR TIN).
 3. CONNECTOR PAD LAYOUT PER SFP+ MSA WILL ACCOMMODATE MOLEX CONNECTOR SERIES 74441 OR EQUIVALENT.

FUNCTIONAL SYMBOLS		THIS DRAWING CONTAINS INFORMATION THAT IS PROPRIETARY TO MOLEX ELECTRONIC TECHNOLOGIES, LLC AND SHOULD NOT BE USED WITHOUT WRITTEN PERMISSION		CURRENT REV DESC:		molex	
$\frac{F}{A} = 0$	DIMENSION UNITS	SCALE	EC NO: 725270				
$\frac{F}{C} = 0$	mm	4:1	DRWN: TKUMARKC 2022/08/10			SFP+ 1X1 PCI CAGE ASY, PRESS FIT WITH SUS SPRING FINGERS	
$\frac{F}{P} = 0$	GENERAL TOLERANCES (UNLESS SPECIFIED)		CHK'D: SMALLESHAPPA 2022/10/19			PRODUCT CUSTOMER DRAWING	
DIVISIONAL SYMBOLS		ANGULAR TOL $\pm 1.0^\circ$	APPR: SCHIEN 2022/10/19			DOCUMENT NUMBER	
		4 PLACES \pm	INITIAL REVISION:			DOC TYPE DOC PART REVISION	
		3 PLACES \pm	DRWN: PGSHETTY 2017/01/25			747540104	
		2 PLACES ± 0.15	APPR: RCHEN08 2017/04/06			PSD ASY D1	
		1 PLACE ± 0.25	DRAFT WHERE APPLICABLE MUST REMAIN WITHIN DIMENSIONS		THIRD ANGLE PROJECTION	DRAWING	SERIES
		0 PLACES \pm	\oplus		C-SIZE	74754	MATERIAL NUMBER
							CUSTOMER
							SHEET NUMBER
							2 OF 4

BEZEL AND BOARD POSITION DIMENSIONS FOR SINGLE SIDE MOUNTING (SPRING FINGER)



NOTE:
 1. PCB THICKNESS VARIATION MUST BE CONSIDERED WHEN DETERMINING BEZEL OPENING LOCATION.
 2. THIS DIMENSION IS FOR REFERENCE ONLY. USER CAN MODIFY UT DEPENDS ON APPLICATION.
 (THIS DIMENSION VARIES BASED ON DISTANCE OF "HOLE OF ADJACENT CAGE" ON PCB LAYOUT.)

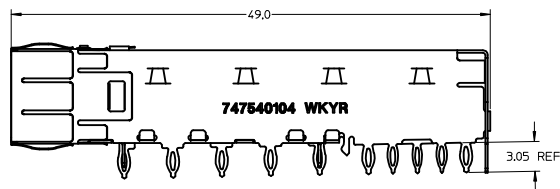
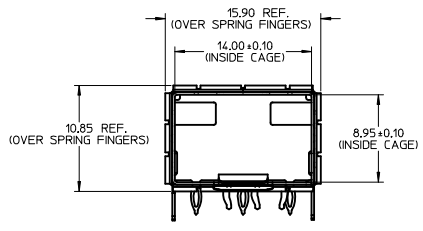
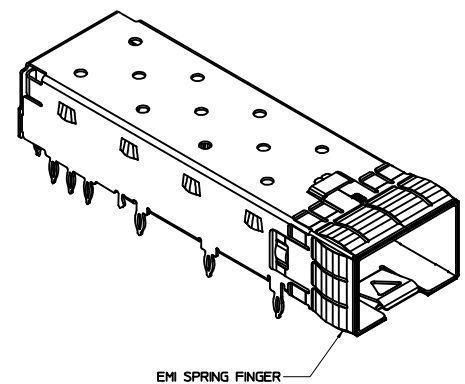
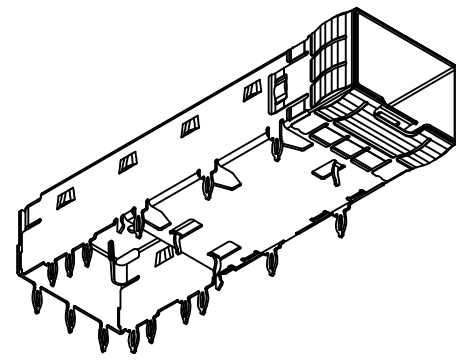
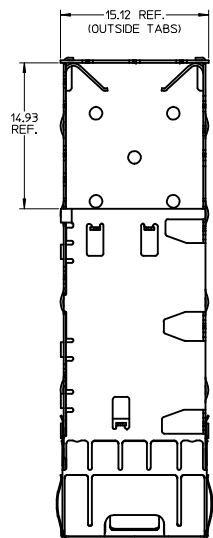
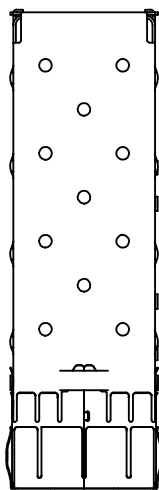
FUNCTIONAL SYMBOLS	THIS DRAWING CONTAINS INFORMATION THAT IS PROPRIETARY TO MOLEX ELECTRONIC TECHNOLOGIES, LLC AND SHOULD NOT BE USED WITHOUT WRITTEN PERMISSION										
$\nabla_A = 0$	DIMENSION UNITS	SCALE	CURRENT REV DESC:							molex	
$\nabla_C = 0$	mm	3.5:1	EC NO: 725270								
$\nabla_P = 0$	GENERAL TOLERANCES (UNLESS SPECIFIED)		DRWN: TKUMARKC 2022/08/10							SFP+ 1X1 PCI CAGE ASY, PRESS FIT WITH SUS SPRING FINGERS	
DIVISIONAL SYMBOLS		ANGULAR TOL ± 1.0°	CHK'D: SMALLESHAPPA 2022/10/19								
3 PLACES ±		4 PLACES ±	APPR: SCHIEN 2022/10/19							PRODUCT CUSTOMER DRAWING	
2 PLACES ± 0.15		1 PLACE ± 0.25	INITIAL REVISION:								
0 PLACES ±		DRAFT WHERE APPLICABLE MUST REMAIN WITHIN DIMENSIONS		THIRD ANGLE PROJECTION		DRAWING		SERIES		DOCUMENT NUMBER	
				C-SIZE		74754		747540104		747540104	
								CUSTOMER		SHEET NUMBER	
										3 OF 4	

REV	DATE	DESCRIPTION
A	2007/05/23	INITIAL RELEASE
B	2008/03/26	REVISED
C	2013/07/22	REGENERATED ISO VIEW
D	2017/01/20	REMASTERED FROM "SD-74754-0104 REV_C" TO "747540104 PSD ASY REV_D" IN NX SHEET 1 : B7 : ADDED DATE CODE TABLE SHEET 3 : E8 : ADDED DIM R 0.30 MAX TYP
D1	2022/10/13	SHEET 01: A11: CHANGED SPRING FINGER MATERIAL FROM COPPER ALLOY TO STAINLESS STEEL.

FUNCTIONAL SYMBOLS										THIS DRAWING CONTAINS INFORMATION THAT IS PROPRIETARY TO MOLEX ELECTRONIC TECHNOLOGIES, LLC AND SHOULD NOT BE USED WITHOUT WRITTEN PERMISSION									
DIMENSION UNITS		SCALE		CURRENT REV DESC:															
mm		1:1		EC NO: 725270 DRWN: TKUMARKC 2022/08/10 CHK'D: SMALLESHAPPA 2022/10/19 APPR: SCHIEN 2022/10/19 INITIAL REVISION: DRWN: PGSHETTY 2017/01/25 APPR: RCHEN08 2017/04/06															
GENERAL TOLERANCES (UNLESS SPECIFIED)																			
ANGULAR TOL ± 1.0°																			
4 PLACES ±																			
DIVISIONAL SYMBOLS										PRODUCT CUSTOMER DRAWING									
3 PLACES ±		± 0.15		DOCUMENT NUMBER		DOC TYPE		DOC PART		REVISION									
2 PLACES ±		± 0.25		747540104		PSD		ASY		D1									
1 PLACE ±		±		MATERIAL NUMBER		CUSTOMER		SHEET NUMBER											
0 PLACES ±		DRAFT WHERE APPLICABLE MUST REMAIN WITHIN DIMENSIONS		747540104				4 OF 4											
THIRD ANGLE PROJECTION		DRAWING		SERIES		MATERIAL NUMBER		CUSTOMER		SHEET NUMBER									
		C-SIZE		74754		747540104				4 OF 4									



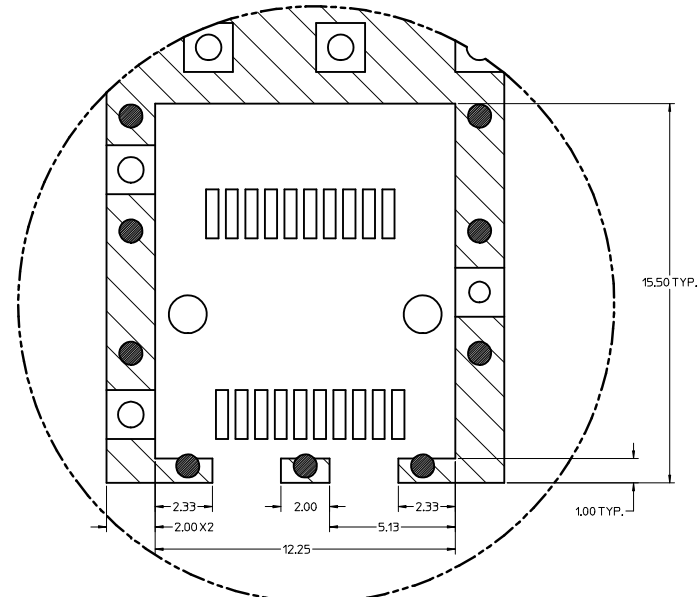
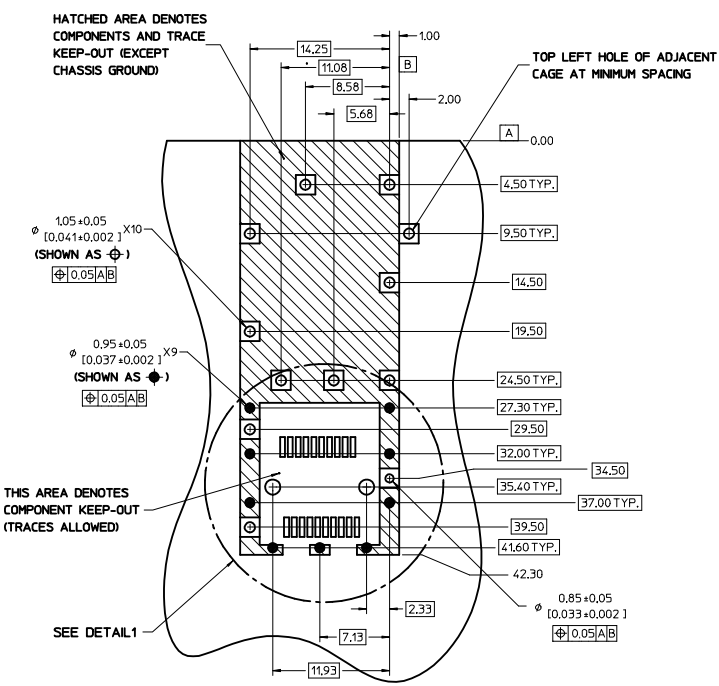
SFP+ 1X1 PCI CAGE ASY, PRESS FIT WITH SUS SPRING FINGERS



- NOTES:**
- MATERIAL:**
 CAGE: NICKEL PLATED COPPER ALLOY, THICKNESS 0.25mm
 SPRING FINGER: NICKEL PLATED COPPER ALLOY, THICKNESS 0.10mm
 - PRESS FIT LEGS 3.05 LONG -
 1.57 MINIMUM PCB THICKNESS FOR SINGLE SIDED USE
 - PORTS ARE DESIGNED FOR SFP+ TRANSCEIVERS AND ARE BACKWARDS
 COMPATIBLE WITH SFP TRANSCEIVERS
 - NO RoHS EXEMPTIONS.

UPDATE ISO VIEW IEC NO: CPG2014-0215 DRAWNSYANG16 2013/07/22 CHKD: APPR:RTSAL 2013/07/22	QUALITY SYMBOLS	GENERAL TOLERANCES (UNLESS SPECIFIED)	DIMENSION STYLE	SCALE	DESIGN UNITS	THIRD ANGLE PROJECTION	
	▽=0	4 PLACES ± mm ± INCH	MM ONLY	4:1	METRIC		
	▽=0	3 PLACES ± --- ± ---					
	▽=0	2 PLACES ± 0.15 ± ---					
		1 PLACE ± 0.25 ± ---					
		0 PLACE ± ±					
		ANGULAR ± 1 °					
		DRAFT WHERE APPLICABLE MUST REMAIN WITHIN DIMENSIONS					
			MATERIAL NO.	DOCUMENT NO.		SHEET NO.	
			747540104	SD-74754-0104		1 OF 4	
			THIS DRAWING CONTAINS INFORMATION THAT IS PROPRIETARY TO MOLEX INCORPORATED AND SHOULD NOT BE USED WITHOUT WRITTEN PERMISSION				

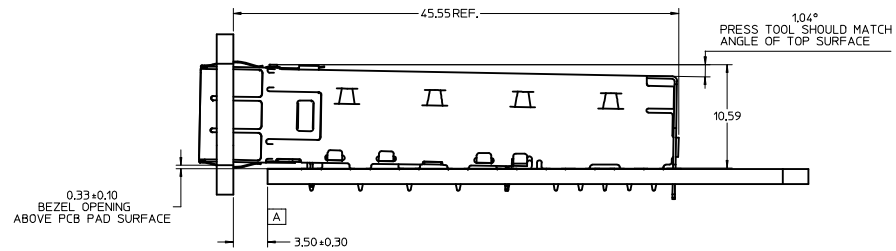
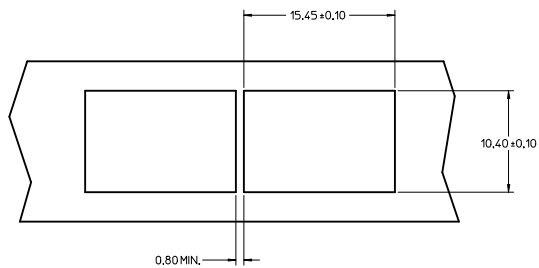
PCB LAYOUT FOR SINGLE SIDE MOUNT



DETAIL1
SCALE 10:1
HOST CONNECTOR DETAIL

UPDATE ISO VIEW EC NO: CPG2014-0215 CHYD: APPR:RTSAL 2013/07/22	QUALITY SYMBOLS	GENERAL TOLERANCES (UNLESS SPECIFIED)	DIMENSION STYLE	SCALE	DESIGN UNITS	THIRD ANGLE PROJECTION
	▽=0	mm INCH	MM ONLY	4:1	METRIC	☉
	▽=0	4 PLACES ± --- ± ---	DRAWN BY	DATE	TITLE	
	▽=0	3 PLACES ± --- ± ---	PSYTSMA	2007/05/23	SFP+ 1X1 PCI CAGE WITH SPRING FINGERS PRESS FIT	
	2 PLACES ± 0.15 ± ---	CHECKED BY	DATE			
	1 PLACE ± 0.25 ± ---	BRUSSELL	2007/05/23			
	0 PLACE ± ±	APPROVED BY	DATE			
		BRUSSELL	2007/05/23			
		ANGULAR ± 1 °	MATERIAL NO.	DOCUMENT NO.		
		DRAFT WHERE APPLICABLE MUST REMAIN WITHIN DIMENSIONS	747540104	SD-74754-0104		
			SIZE			
			D			
			THIS DRAWING CONTAINS INFORMATION THAT IS PROPRIETARY TO MOLEX INCORPORATED AND SHOULD NOT BE USED WITHOUT WRITTEN PERMISSION			
						SHEET NO. 2 OF 4

BEZEL AND BOARD POSITION DIMENSIONS FOR SINGLE SIDE MOUNTING
(SPRING FINGER)



UPDATE ISO VIEW EC NO: CPG2014-0215 CHYK: DRWNSYANG16 APPR: TSAL 2013/07/22	QUALITY SYMBOLS ∇=0 ∇=0 ∇=0	GENERAL TOLERANCES (UNLESS SPECIFIED)		DIMENSION STYLE MM ONLY	SCALE 4:1	DESIGN UNITS METRIC	THIRD ANGLE PROJECTION
		4 PLACES ± --- ± --- 3 PLACES ± --- ± --- 2 PLACES ± 0.15 ± --- 1 PLACE ± 0.25 ± --- 0 PLACE ± ±	mm INCH ± --- ± --- ± --- ± --- ± --- ± --- ± --- ± --- ± --- ± ---	DRAWN BY PSYTSMA DATE 2007/05/23	CHECKED BY BRUSSELL DATE 2007/05/23	APPROVED BY BRUSSELL DATE 2007/05/23	TITLE SFP+ 1X1 PCI CAGE WITH SPRING FINGERS PRESS FIT
DRAFT WHERE APPLICABLE MUST REMAIN WITHIN DIMENSIONS		THIS DRAWING CONTAINS INFORMATION THAT IS PROPRIETARY TO MOLEX INCORPORATED AND SHOULD NOT BE USED WITHOUT WRITTEN PERMISSION					

20 19 18 17 16 15 14 13 12 11 10 9 8 7 6 5 4 3 2 1

REV	DATE	DESCRIPTION
C	2013/07/22	REGENERATED ISO VIEW.

<p>UPDATE ISO VIEW EC NO: CPG2014-0215 DRAWN BY: CHYK APPR:RTSAL</p>	2013/07/22	DESCRIPTION	QUALITY SYMBOLS			GENERAL TOLERANCES (UNLESS SPECIFIED)			DIMENSION STYLE MM ONLY		SCALE	DESIGN UNITS METRIC	THIRD ANGLE PROJECTION
			▽=0	4 PLACES	mm	INCH	PSYTSMA	2007/05/23	DATE	DATE	TITLE SFP+ 1X1 PCI CAGE WITH SPRING FINGERS PRESS FIT		
			▽=0	3 PLACES	±	±	BRUSSELL	2007/05/23	DATE	DATE	MATERIAL NO. 747540104		
			▽=0	2 PLACES	±0.15	±	BRUSSELL	2007/05/23	DATE	DATE	DOCUMENT NO. SD-74754-0104	SHEET NO. 4 OF 4	
				1 PLACE	±0.25	±				THIS DRAWING CONTAINS INFORMATION THAT IS PROPRIETARY TO MOLEX INCORPORATED AND SHOULD NOT BE USED WITHOUT WRITTEN PERMISSION			
				0 PLACE	±	±							

19 18 17 16 15 14 13 12 11 10 9 8 7 6 5 4 3 2 1